

Sparkling, clean water *everyday*



UltraPure
WATER QUALITY INC.

UltraPure
WATER QUALITY INC.

Contact Information

Telephone: 905 335-4085
Fax: 905 335-1483
Customer Service: 877 281-7603
Web Site: www.waterquality.net
Email: help@waterquality.net

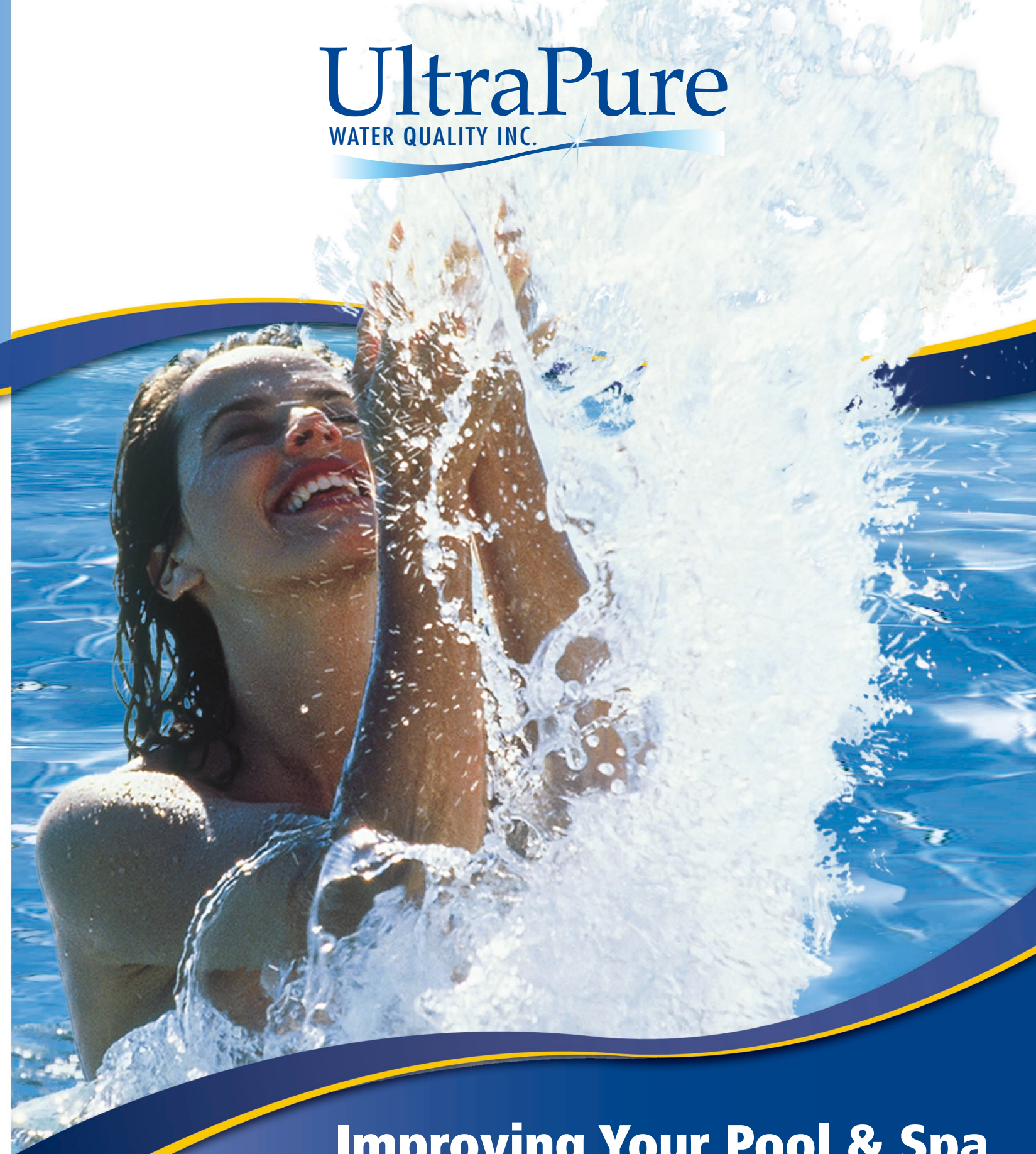
Mailing Information

UltraPure™ Water Quality Inc.
1175 Appleby Line, Unit B2
Burlington, Ontario, L7L 5H9
Canada

Printed in Canada Rev. Feb 2008
Part No. 5102009

**Improving Your Pool & Spa
Experience Since 1982**

Product and Parts Book



Head Office

UltraPure Water Quality Inc.
1175 Appleby Line, Unit B2
Burlington, ON L7L 5H9
Canada

Customer Support: 877 281 7603
Phone: 905 335 4085
Fax: 905 335 1483

Website: www.waterquality.net

CUSTOMER SERVICE PERSONNEL

Inside Sales & Customer Support

Nancy Richardson Ext. 229
nancy@waterquality.net

Sales & Service Manager

Brian Richardson Ext. 227
brian@waterquality.net

General Manager

Lori Nelson Ext. 232
lori@waterquality.net

Research & Development

Keshani Gnanapandithen Ext. 223
keshani@waterquality.net

Western Sales Manager

Barry Nelson Ext. 234
barry@waterquality.net

Eastern Sales Manager

Chris Brennan 910 585 2089
chris@waterquality.net

MANUFACTURER'S SALE REPRESENTATIVES

West

Blake Sales Associates
1020 S. Santa Fe, Suite E
Vista, CA 92084
Phone: 800 748 5756
Fax: 760 941 9191

Midwest

Watermark
1503 Apache Drive
Naperville, IL 60563
Phone: 630 548 9585
Fax: 630 548 9586

South Central

Duhamell Associates
3610 W. Pioneer Pkwy. # 123
Arlington, TX 76013
Phone: 817 275 1242
Fax: 817 275 1249

Northeast

Aqua Quest
4805 Cheshire Road
Doylestown, PA 18901
Phone: 888 662 2302
Fax: 215 230 3398

Florida

Gunn Sales
2126 Martin Road
Dover, FL 33527
Phone: 813 684 8429
Fax: 813 684 8580



Table Of Contents

- 2 General Information
- 3 Why Use UltraPure™ Automatic Water Cleaners

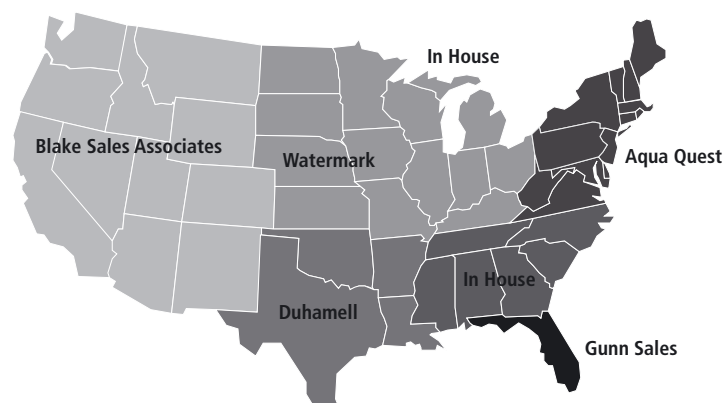
Pools

- 4 UltraPure's Features
- 5 Pool Water Testing
- 6 Pool Specifications, Pump Size & Air Draw
- 7 Pool Part Numbers & Descriptions
- 8 Pool Replacement Parts – Installation Kits & Replacement Parts
- 9 Pool Replacement Parts – Replacement Lamps & Power Supply Kits
- 10 Exploded Parts Diagram
- 11 UltraPure Pool Installation
- 12 Pool Installation Schematics
- 13 How do I know my UltraPure™ Automatic Water Cleaner is Working?

Spas

- 14 Spa Specifications & Air Draw
- 15 General Information on Spas
- 16 Spa Part Numbers & Descriptions
- 17 Spa Plug Configurations
- 18 **New** Spa Retail 30 Second Ozone Detection Kit
- 19 **New** Spa 30 Second Ozone Detection Kit – For the Service & Repair Trades
- 20 Spa Ozone Detection Kit & Spa Replacement Parts
- 21 Exploded Spa Diagram
- 22 Exploded Parts Diagram
- 23 UltraPure™ Spa Installation

- 24 FAQ – Simple Answers to Common Questions
- 25 Warranty Procedures – Return Goods Authorization Number (RGA)
- 26 Warranty Procedures – Service Call
- 27 Literature & Support Material



Welcome to UltraPure™

We at UltraPure™, believe in a promise of clean water for humanity. We believe that the water in a pool or spa is the most important part of the experience. Everybody deserves to enjoy the water in his or her pool or spa.

With an UltraPure™ Ozone generator, the idea of sparkling, clean water everyday is a reality. We have committed ourselves to perfecting the technology of Ultra Violet (UV) Ozone generation and the art of water sanitation since 1982. The result of this is the most dependable and effective Ozone generators on the market.

For clean, healthy water, for the enjoyment of the entire pool and spa experience, it has to be UltraPure™.

COMPANY PROFILE

Originally operating as Water Quality Management, we have been in continuous operation since 1982. For the past 15 years, we have chosen to focus our efforts exclusively on the swimming pool and spa industry. UltraPure Water Quality Inc. has become a market leader in product innovation, exceptional customer service and support. Our focus on the pool and spa industry has allowed us to become experts in the most reliable source of Ozone Generation, Ultra Violet technology. We will continue to provide all of our customers with the best possible products for the pools and spa industry.

UltraPure Water Quality Inc. is a privately held Canadian company. Our manufacturing facility is located in Burlington, Ontario, just west of Toronto, Canada, and our sales representatives are located throughout the United States and Canada.

WHAT IS OZONE?

Ozone (O₃) consists of three oxygen atoms. It is produced in nature by sunlight and lightning. Ozone is a very reactive gas that causes the clean-air odor.

Passing ambient air over an UV lamp(s) can produce Ozone. The UV energy from the lamp(s), splits the oxygen molecules (O₂) into oxygen atoms (O). The free oxygen atoms combine with other oxygen molecules from the air stream to form Ozone (O₃). This method produces Ozone outputs in the ranges of 0.01-weight percentage, or wt%, (100 ppm) to 0.1 wt% (1000 ppm). The method does not require air-preparation systems. UV systems are suitable for use in residential pools and spas. They produce enough Ozone to be effective and tend to cost less than Corona Discharge (CD) systems which require special air-preparation and cooling systems.

HOW THE ULTRAPURE™ SYSTEM WORKS

When the pool pump is on, ambient air containing oxygen (O₂) is drawn across our special short wave length Ultra Violet lamps. The Ultra Violet emissions breaks the oxygen molecules into individual oxygen atoms. These atoms combine with other oxygen molecules to form Ozone (O₃).

The ozonated air is pulled into the pool water on the suction side of the pump as it operates. The impeller creates small bubbles and the Ozone is pressurized into the water in the pipe between the pump and the filter. The filter acts as a reaction vessel in which the Ozone breaks down organic compounds (lotions, oils, cosmetics, etc.) and alters ammonia compounds (urine and perspiration) making them unable to combine with and use up Chlorine.

Since the only element added by the Ozone generator is oxygen, no obnoxious compounds (like chloramines) are created, and many bi-products simply 'gas-off'.

Why Use UltraPure™ Automatic Water Cleaners™?

Why Use Ozone?

UltraPure™ Ozone generators create the following:

- A nature-fresh, bottled-water swimming/bathing experience
- Cost savings, fewer chemicals and less maintenance
- Extended life of equipment and longer filter runs

UltraPure™ Ozonated water offers:

- No red eyes or skin irritation
- No "chlorine" allergic reaction
- No after-use showers, shampoos, or skin moisturizers
- No "chlorine" smell
- No green hair
- Simply crystal clear, healthy and often "azure" blue water

The Fewest Chemicals

Chlorine usage is lowered by 60% to 70% on pool (and 80% to 90% on spas), as are pH adjusting chemicals. The need for the following chemicals is virtually eliminated:

- "Shock Treatments"
- Clarifiers
- Algaecides
- Filter Aids
- Scale Inhibitors
- Scum Line Cleaners
- Scents
- Filter Degreasers

The Least Work

Water balance is easily maintained. Filter runs are longer, since clogging greases and oils are broken down. Scum line or bathtub rings are kept away or easily brushed off. Overall pool and spa water maintenance and care are minimized – **UltraPure™ Water Cleaner is an automatic water cleaner that pays for itself.**

Best Water



In 2006, UltraPure Water Quality Inc. added new features to our Pool Ozone generators.

Produces More Ozone	Longer Lasting
Easier Installation	Less Heat
An Indicator Sight Glass	Less Weight
More Durable	Dial A Flow

Features & Benefits

- 1** Plastic End Plated: All UltraPure™ Ozone generators are made with molded plastic end plates. These provide a better enclosure, a more durable unit and will not rust or break down.
- 2** Fingertip Airflow Control with Dial A Flow: Installing the UltraPure™ couldn't be simpler. Just set the gauge to the green zone and you're done. Airflow adjustments can now be done with fingertip ease, without any special tools or complicated procedures. No more separate installation kits, no need for service calls to adjust the airflow.
- 3** Improved Power Supply: Don't forget that the most important part of the system is the Ozone it produces! After careful testing and a change in power supply, we have managed to increase the output of all of our units while also increasing reliability and lifespan. This results in less heat, a softer start, less weight and higher output. Our new power supply provides more Ozone with increased reliability and durability.
- 4** Sight Glass: Now, checking if the UltraPure™ is working can be done at a glance. The sight glass, has been repositioned to the side of the unit, this will let you know instantly that the system is working.



Pool Water Testing

Test the water regularly using a test kit.

Test	Ideal Range
Bromine	2.0 ppm
Free Available (FAC)	1.0 ppm (minimum)
Total Chlorine (TC)	Up to 0.5 ppm above the FAC reading
pH	7.2 – 7.8
Total Alkalinity (TA)	80 – 120 ppm
Calcium Hardness (CH)	200 – 300 ppm
Total Dissolved Solids (TDS)	300 – 1200 ppm

The free Chlorine or Bromine residual should be maintained at all times. Outdoor pools on Chlorine require a stabilizer. Pool may require a shock treatment after heavy usage, heavy rains or wind storms. Follow your dealer's recommendations.

UltraPure™ Automatic Water Cleaner™ Efficacy

USING THE ULTRAPURE™ AUTOMATIC WATER CLEANER™ AND A CHLORINE/SALT GENERATOR OR, AN ALGAECIDE AND CHLORINE OR A MINERAL PRODUCT AND CHLORINE.

Use a DPD Test Kit to periodically test for Free Available Chlorine (FAC) and Total Chlorine (TC). As long as the difference between TC and FAC is less than 0.5 ppm, the Ozone is doing its job (i.e. removing contaminants which form combines and use up chlorine).

NOTES

- Using UltraPure™ a Mineral Based Biostat or an Algaecide and Chlorine. The TC level can be maintained at about half the normal (regional) Chlorine level (TC = 1.0 – 3.0 ppm).
- When products contain sequestering agents, they tend to mask the FAC level. Only the TC reading is valid.
- Periodically check the pH level and maintain it between 7.2 – 7.8.

Pool Specifications



Model	UPP15	UPP25	UPP50
6-12 Hours/Day	Up to 15,000 USG	Up to 25,000 USG	Up to 50,000 USG
24 Hours/Day	Up to 30,000 USG	Up to 50,000 USG	Up to 100,000 USG
Ozone Output	0.0565 gm/hr	0.146 gm/hr	0.435 gm/hr
Current	1 Amp	1 Amp	2 Amps
Dimensions (LxWxH)	16" x 4" x 3"	16" x 7" x 4"	35" x 7" x 4"
Weight	6 lbs.	8 lbs.	12 lbs.

* Weight is based on 240V units

Pump Size & Air Draw Chart

Model	Pump Size (Minimum)	Air Flow (Cubic Feet Per Hour – cfh)	
		Typical	Recommended
UPP15 – up to 15,000 USG	1.0 Hp	3 – 7	4
UPP25 – up to 25,000 USG	1.5 Hp	4 – 9	5
UPP50 – up to 50,000 USG	2.0 Hp	4 – 10	6
UPAG20 – up to 20,000 USG	1.0 Hp	3 – 7	4
UPAG33 – up to 33,000 USG	1.5 Hp	4 – 9	5

In Ground Pool Part Number & Descriptions

UWQ Part Number	Description
1003100	UPP15 120V/60Hz Dial Flowmeter SSPP & ESABK
1003120	UPP15 240V/60Hz Dial Flowmeter SSPP & ESABK
1004100	UPP25 120V/60Hz Dial Flowmeter SSPP & ESABK
1004120	UPP25 240V/60Hz Dial Flowmeter SSPP & ESABK
1005100	UPP50 120V/60Hz Dial Flowmeter SSPP & ESABK
1005120	UPP50 240V/60Hz Dial Flowmeter SSPP & ESABK

Each UltraPure™ Ozone generator comes complete with a Dial Flowmeter Suction Side Parts Package (DFSSPP), External Safety Air Bleed Kit (ESABK), Owner's Manual and Warranty Card.

UWQ Part Number	Description
1007701	UPP15 120V/60Hz VSSPP & ESABK
1007322	UPP15 240V/60Hz VSSPP & ESABK
1007801	UPP25 120V/60Hz VSSPP & ESABK
1007422	UPP25 240V/60Hz VSSPP & ESABK
1007901	UPP50 120V/60Hz VSSPP & ESABK
1007522	UPP50 240V/60Hz VSSPP & ESABK

Each UltraPure™ Ozone generator comes complete with a Suction Side Parts Package (VSSPP), External Safety Air Bleed Kit (ESABK), Owner's Manual and Warranty Card.

Above Ground Pool Part Number & Descriptions

UWQ Part Number	Description
1003000	UPAG20 120V/60Hz AGDFPP
1004000	UPAG33 120V/60Hz AGDFPP
1007700	UPAG20 120V/60Hz AGVPP
1007800	UPAG33 120V/60Hz AGVPP

Each UltraPure™ Ozone generator above ground unit comes complete with a Dial Flowmeter Parts Package (AGDFPP) or Valveless Suction Side Parts Package (AGVPP), Mounting Brackets, Owner's Manual and Warranty Card.

A/G Model Shown



Pool Replacement Parts

Installation Kits

UWQ Part Number	Description
1008028	External Safety Air Bleed Kit (ESABK)
1008072	Valveless Suction Side Parts Package (VSSPP)
1008074	Dial Flowmeter Suction Side Parts Package (DFSSPP)
1008075	Dial Flowmeter Conversion Kit
1008077	0-10 cfh Start Up Flowmeter Kit (SUFM)
1008080	Above Ground Dial Flowmeter Parts Package (AGDFPP)
1008081	Above Ground Valveless Parts Package (AGVPP)

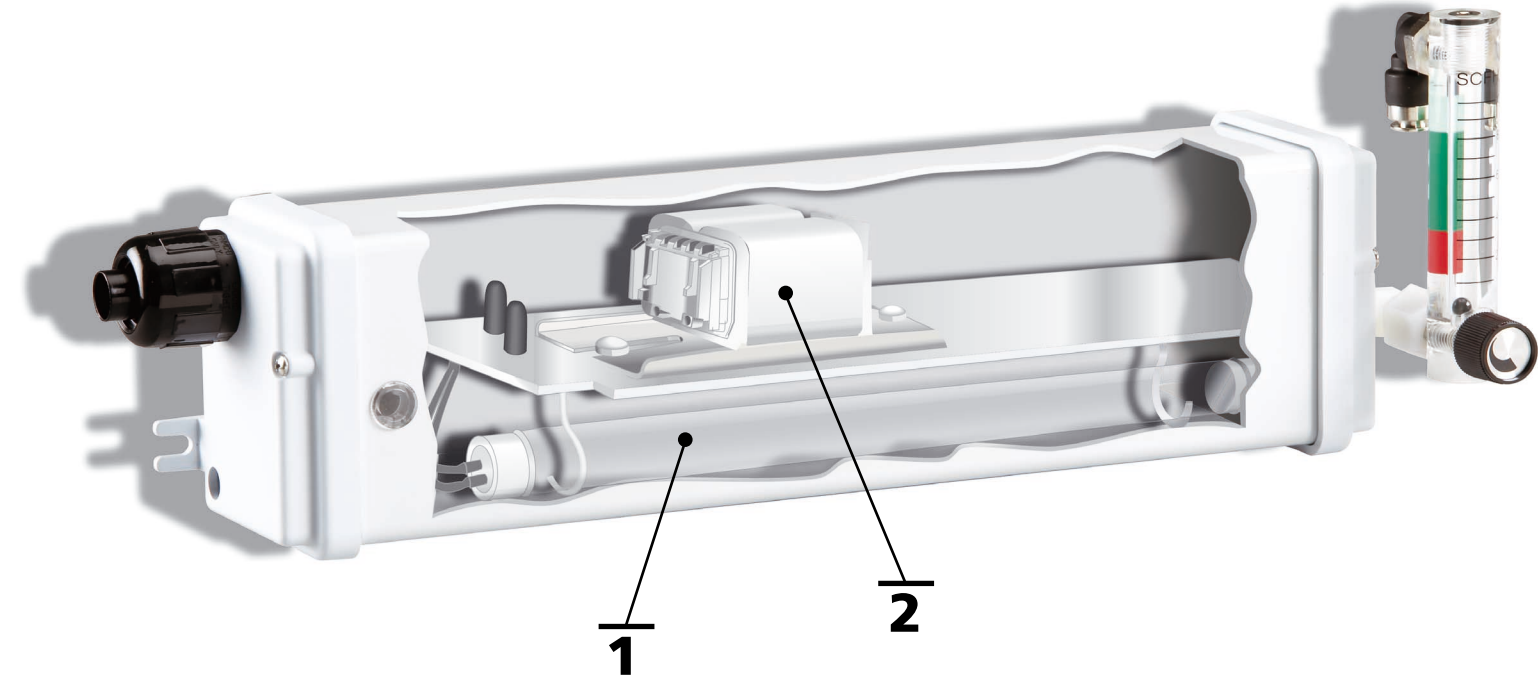
Replacement Parts

UWQ Part Number	Description
1008000	Replacement 1/2lb Compression Check Valve Kit
1008001	Replacement 1 1/2lb Compression Check Valve Kit
1008011	1 1/2lb Compression Check Valve
1008012	1/2lb Check Valve
1008013	3 lb Check Valve
1008014	6 lb Check Valve
3401117	3/8" OD Black Tubing (per foot)
3403230	Saddle Clamp PVC 1 1/2"
3403200	Saddle Clamp PVC 2
3403410	1/4" x 3/8" Straight Compression Fitting
3403625	1/4" x 3/8" Compression Elbow Fitting with Metal Gripper
3203240	Tee PVC
3406315	HDPE Threaded Rod Tree (AFCI)
3404500	Jandy Pump Adapter PVC 1/4" NPT
3404510	Jandy Filter Adapter HDPE Black T



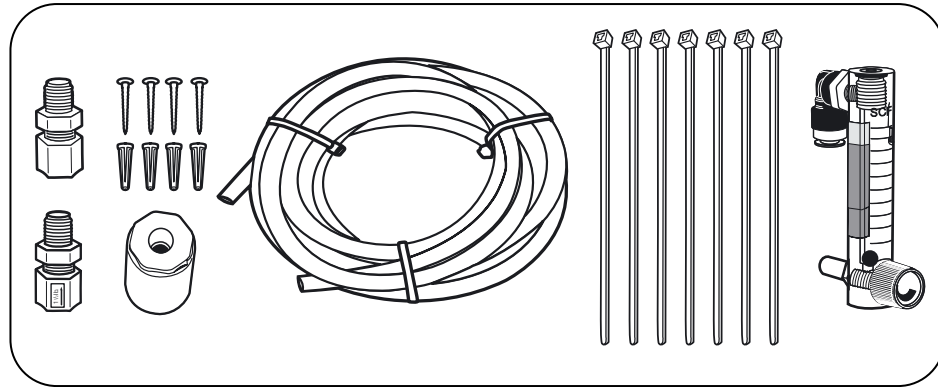
Pool Replacement Parts

Replacement Lamps and Power Supply Kits

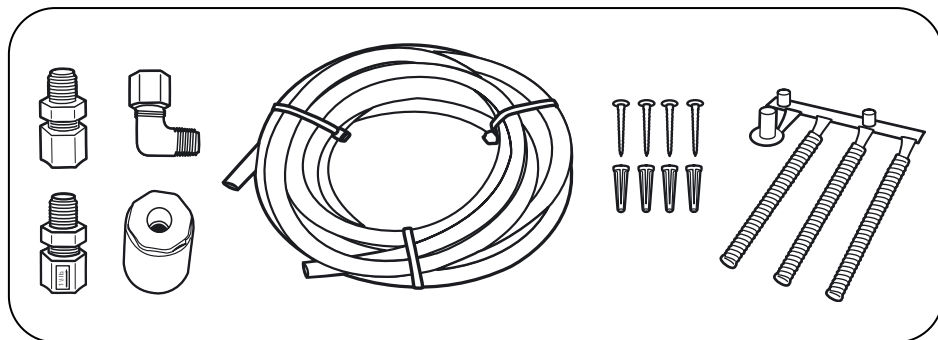


Model and Voltage	(1) Lamp Part Number & Qty	(2) Power Supply Kit Part Number
UPP15 120V	1 – 3901823	1008030
	240V	1008031
UPP25 120V	2 – 3901823	1008032
	240V	1008033
UPP50 120V	2 – 3901804	1008034
	240V	1008035
UPAG20 120V	1 – 3901823	1008030
UPAG33 120V	2 – 3901823	1008032

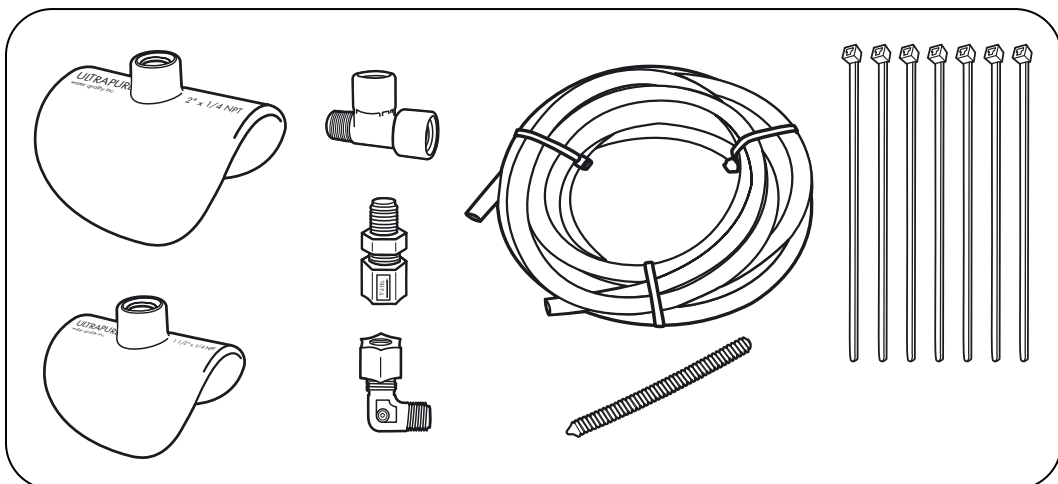
DFSSPP, VSSPP, ESABK



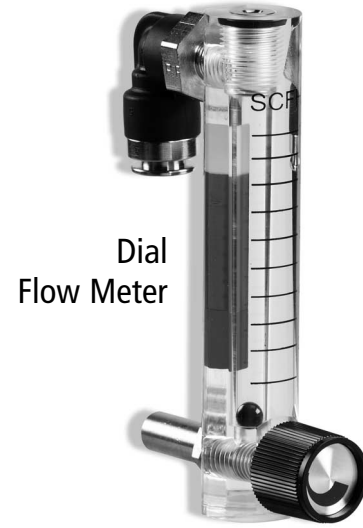
Dial Flowmeter Suction Side Parts Package



Valveless Suction Side Parts Package



External Safety Air Bleed Kit



Dial Flow Meter



Start UP Flow Meter

UltraPure™ Pool Installation

Pool Installation Options

UltraPure™ Automatic Water Cleaners™ are best mounted horizontally, with the label oriented correctly. UltraPure™ Automatic Water Cleaners™ are for use under suction only. Each of the UltraPure™ Automatic Water Cleaners™ come equipped with a Dial Flowmeter Suction Side Parts Package (DFSSPP) or Valveless Suction Side Parts Package (VSSPP) for installation.

An External Safety Air Bleed Kit (ESABK) comes with every in ground unit. This kit allows air drawn in on the suction side of the pump to be taken off the top of the filter and injected into the water return line at a desired point. This kit is necessary when; the filter is old and does not have an internal air bleed; there is a solar system on the pool; there is a pressure side cleaner, or a booster pump.

There are two ways that your UltraPure™ Automatic Water Cleaner™ can be plumbed into your system. See Installation Schematics on page 12

Retrofit Installation into the Strainer Basket Drain Plug (Hair & Lint Trap):

Remove the drain plug and screw in (hand tighten) our 1 1/2lb. Compression Check Valve; apply Teflon tape on the check valve for a secure fit. The straight compression fitting and reducing coupling is not required for this method. Connect the 3/8" OD Black Tubing to the Compression Check Valve and run the tubing back to the UltraPure™ Automatic Water Cleaner™.

Or

Builder Standpipe Installation (Pre-installed 3/4" Pipe):

When the pool is being built or during renovation work, it can be made (Ozone) ready. With this installation, a suction side standpipe runs from below water level on a suction line, back to a convenient location on the equipment pad. This will stop air from entering the pump. Since the 3/4" line originates from below water level, there is no possibility of loosing prime because there is a water lock below grade.

"Tee in" a 3/4" standpipe from (one of) the suction line(s) below water level and run it to a protected location behind the filter on the equipment pad. Cap the standpipe for pressure testing the plumbing. When you are ready to install the UltraPure™ Automatic Water Cleaner™, cut the cap from the 3/4" standpipe and glue on our 3/4" FSL x 1/4" FPT reducing coupling. The 1 1/2lb. Compression Check Valve is NOT required and should NOT be used with this method. Connect the 3/8" OD Black Tubing to the straight compression fitting, and run tubing back to the UltraPure™ Automatic Water Cleaner™.

Setting The Airflow:

DIAL-A-FLOW

Using the Dial Flowmeter, the airflow is set by simply adjusting the dial on the gauge until the float is in the green region. Make sure that the Dial Flowmeter is in a straight vertical position. Turn the dial all the way to the right (clockwise) to close it. The flow can be set and re-adjusted with ease. No special parts, tools or procedures are required.

A small amount of condensation may become apparent inside the Dial Flowmeter. This may cause the ball to temporarily stick in the flowmeter. This is normal and does not indicate any malfunction of the flowmeter. To verify correct function of the flowmeter you can visually check the pump basket or pool returns for air bubbles.

HPDE THREADED ROD (AFCI)

The airflow is adjusted by moving the HPDE Threaded Rod (AFCI) in for less airflow and out for more airflow. Check the airflow by using a Start Up Flowmeter (purchased separately 1008077). Once the desired airflow is achieved, cut the excess AFCI off and discard it. Push the remaining portion of the AFCI, 2" to 3" into the tubing and re-check the airflow.

Do not exceed the maximum air draw for the unit size. See chart on Page 6.

How do I know if my UltraPure™ Automatic Water Cleaner™ is working?

Checking if the UltraPure™ is working is easy using the Dial Flowmeter.

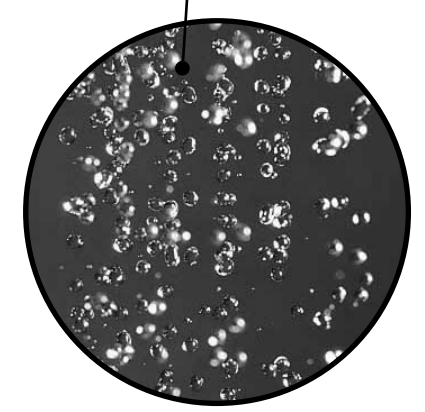
If combined chlorines (subtract FAC from TC) are less than 0.5 ppm, the Ozone is doing its work.

2 Check the Gauge. If you're in the green, Ozone is getting into the pump.



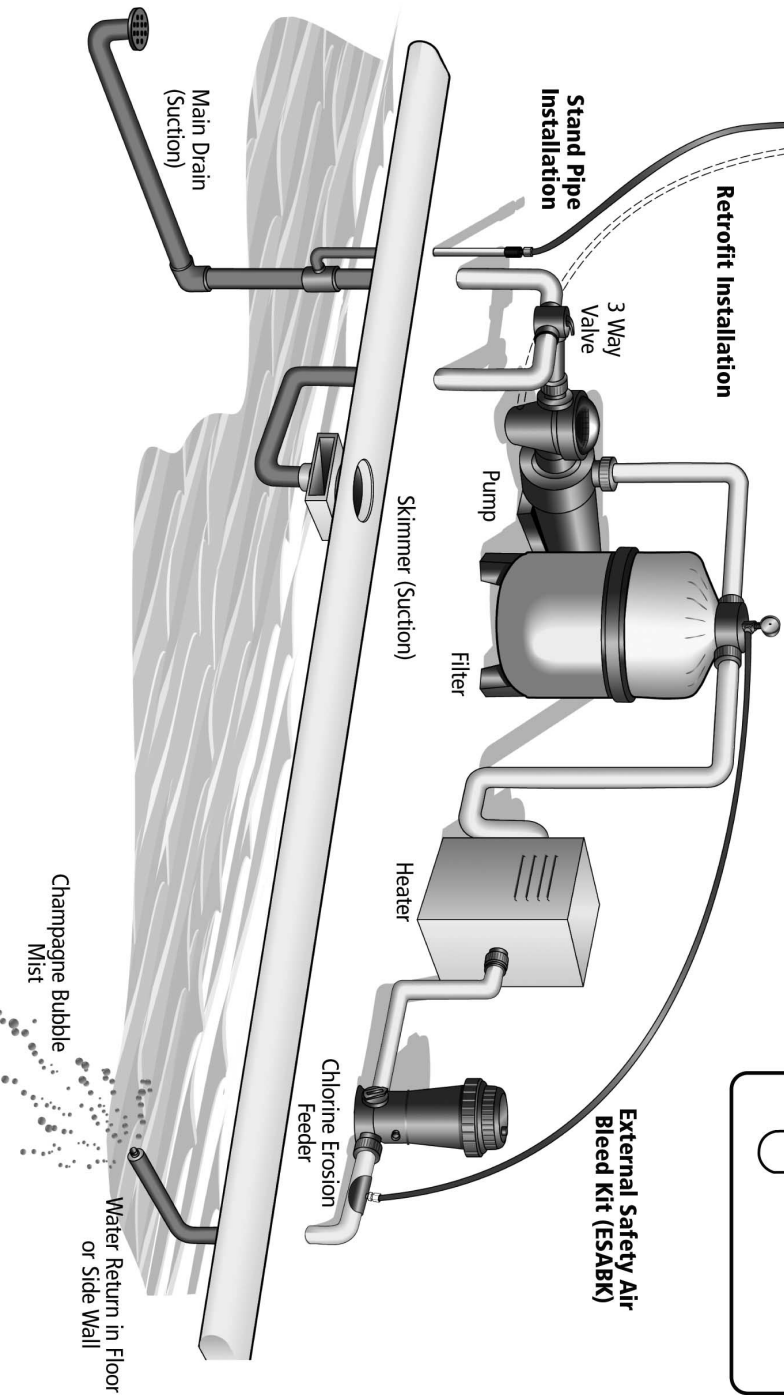
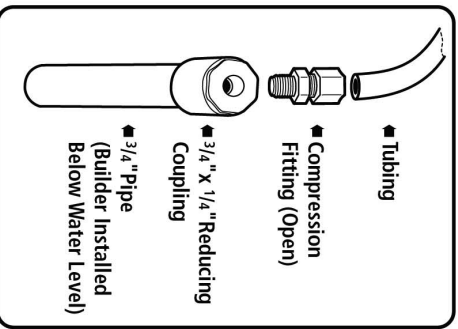
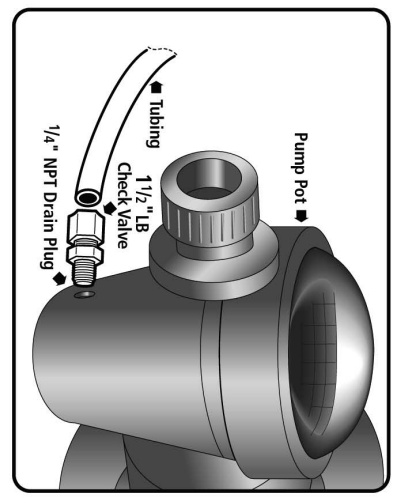
1 Check if the sight glass is lit. If the light is on, UltraPure™™ is creating Ozone.

3 Check the returns. Bubbles in the pool means Ozone is getting into the water.



UltraPure Pool Ozone Generators Installation Schematics

(Shows Two Alternatives – the Retrofit and Stand Pipe Methods)



Notes

Standpipe Installation

- No Check Valve Required since the connection is below water level.
- Is Virtually Fail Safe.

Retrofit Installation

- Requires 1 1/2 Lb. Check Valve.
- Stronger Check Valve is required on installations over 3' above water level.

External Safety Air Bleed Kit

- ESABK is designed to take air from the top of the filter and send it downstream (up to 15') past all equipment.

Spa Specifications



Model	UPS350	UPS800	EUV3
4 Hours/Day	350 USG	800 USG	350 USG
6 Hours/Day	475 USG	1100 USG	475 USG
8 Hours/Day	650 USG	1600 USG	800 USG
Ozone Output	0.028 gm/hr	0.057 gm/hr	0.035 gm/hr
Current	1 A	1 A	0.5 A
Dimensions (LxWxH)	10" x 4" x 3"	16" x 4" x 3"	10" x 4" x 3"
Weight	3 lbs.	6 lbs.	1 lb.

* Weight is based on 240V units

Air Draw Chart

Model	Air Flow (Cubic Feet Per Hour – cfh)	
	Typical	Recommended
UPS350 – up to 350 USG	1 – 4	2
UPS800 – up to 800 USG	2 – 6	3
EUV3 – up to 350 USG	1 – 4	2

General Information on Spa Ozone

Spas, Ozone and Why Only Ultra Violet (UV) Units

People buy Spas for the water. Easily maintained, clean, odor-free and inviting Spa water allows people to relax, relieve stress and enjoy the therapeutic benefits of hot water.

Small amounts of after-use Chlorine (preferred) or bromine; Ozone introduction for 4 - 8 hours/day; and, pH adjustment to 7.2 - 7.8 as needed, ensures that all three Spa Water Sanitation requirements of Disinfection, Oxidation and Residual are met. 90 - 95% of the 'Sanitation-Workload' is the removal of non-living bather wastes, which are introduced in high quantities due to the Spa's small volume of 'above-body-temperature' hot water. One bather in a Spa produces 20x's the amounts of these wastes of a swimmer in a pool. They are removed by Oxidation which alters the ammonia (from urine and perspiration) and breaks down organics (from body oils, cosmetics, antiperspirants, etc.). Ozone (O₃) is the strongest oxidizer commercially available and reverts to Oxygen (O₂) leaving no residual (TDS) in the water. Ozone does not disinfect Spa water. Spas cannot be enjoyed without a properly working Ozone generator. Maintaining water quality without Ozone is too much work, if not impossible.

We have been manufacturing and selling UV Spa Ozone generators since 1982. In the late '90's the Corona Discharge (CD) Spa Ozone generator trend 'took over the market', lead by Watkins and Del Industries. From 2001 - 2004, we performed extensive, repeatable and conclusive "Extended Ozone Output Testing", with units running 6 Hours a day at 50% Relative Humidity. Key findings are that, 1) 'Chip' CD units stopped producing Ozone in 6 - 8 Months and had 'gummed-up' due to Nitric acid production; 2) Our transformer-run (electromagnetic) UV UPS350 units produces Ozone effectively for 30 months; and 3) Our electronic UV, EUV3 units produces Ozone at 'New-CD levels and at 52 months is at 80% of new output. These findings lead us to introduce the EUV3 units and to begin a Spa Ozone –generator replacement program using our new Spa Unit Ozone Detection Kits. There are a large number of 'dead' CD Chip units in the marketplace and a substantial replacement business is available for the taking.

An Ozone generator is needed for great Spa water. Test to see if yours is working and replace it with a EUV3 unit.

Ozone is the best oxidizer for spa water.

Oxidation is the most important part of the sanitation workload.

SANITATION ELEMENT	WORKLOAD
Oxidation	90%
Disinfection/Biocide	5%
Residual	5%

Ask about our volume discount program!

EUV3

FEATURES	BENEFITS
Advanced Ultra Violet Technology	Reliable, consistent and long lasting Ozone output
Electronically powered	No pack interference
Controlled Ozone output	Off Gas Certification at prescribed Airflow rates
120V/240V & 60Hz/50Hz Convertible	Reduce SKU's
Extended Warranty available	Three Year Warranty Program
LED, Auto shut off	Options

Ultra Violet does not require prepared air.

Ultra Violet is a better value.

Ultra Violet lasts longer.

Ultra Violet produces Ozone longer.

Spa Unit Part Numbers & Descriptions

UltraPure Spa Ozone Generators – Plug Configurations Part Numbers

Plug Configurations	Voltage/Hz	UPS350 Part #	EUV3 Part #
1. Balboa – 4 Prong Amp	120V/60Hz	1006520	1106520
2. Balboa – 4 Prong Amp	240V/60Hz	1006521	1106521
	230V/50Hz	1006522	1106522
3. Balboa – 4 Prong Amp	120V/240V 60/50Hz	N/A	1106523
	120V/240V/230V 60/50Hz	N/A	1106524
4. Spa Builders Support	120V/60Hz	1006510	1106510
	240V/60Hz	1006511	1106511
	230V/50Hz	1006512	1106512
5. Large J & J	120V/60Hz	1006530	1106530
	240V/60Hz	1006531	1106531
	230V/50Hz	1006532	1106532
6. Mini J & J (Pink)	120V/60Hz	1006540	1106540
	240V/60Hz	1006541	1106541
	230V/50Hz	1006542	1106542
7. Hot Spring Mini J & J	120V/60Hz	1006590	1106590
	240V/60Hz	1006591	1106591
	230V/50Hz	1006592	1106592
8. Sundance (Blue)	120V/60Hz	1006550	1106550
9. Sundance (Aqua)	240V/60Hz	1006551	1106551
	230V/50Hz	1006552	1106552
10. Sundance (Molex)	120V/60Hz	1006580	1106580
	240V/60Hz	1006581	1106581
	230V/50Hz	1006582	1106582
11. 3 Prong Nema	120V/60Hz	1006500	1106500
12. Pigtail	240V/60Hz	1006501	1106501
	230V/50Hz	1006502	1106502
13. Hydro Quip	120V/60Hz	1006570	1106570
	240V/60Hz	1006571	1106571
	230V/50Hz	1006572	1106572
14. Gecko	120V/60Hz	1006560	1106560
	240V/60Hz	1006561	1106561
	230V/50Hz	1006562	1106562

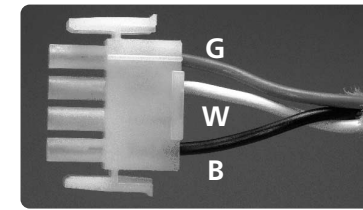
All above units come complete with everything you'll need to install Ozone ready, 1/4" ID Clear Tubing, 1/4" x 3/8" Reducing Adaptor, 1/4" x 1/4" Popette Check Valve, Installation Screws, Owner's Manual and Warranty Card.

Notes: All Cord Configuration Part #'s for UPS350 and EUV3 units start with 100 and 110 respectively; and end in 0, 1, 2, 3, & 4 to denote 120V/60Hz, 240V/60Hz, 230V/50Hz, 120V/240V 60/50Hz and 120V/240V/230V 60/50Hz respectively.

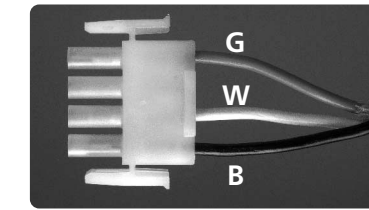


Spa Unit Plug Configurations

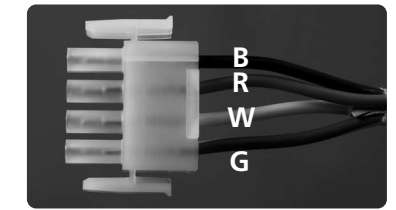
Note: Not all plug options shown.



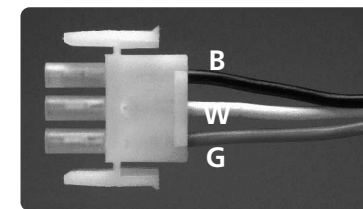
1 Balboa
120V/60Hz
Flat Side Down, 4 Prong Amp



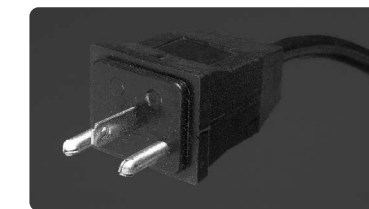
2 Balboa
240V/60Hz
Flat Side Down, 4 Prong Amp



3 Balboa
120V/240V, Dual Voltage
For Electronic Units Only



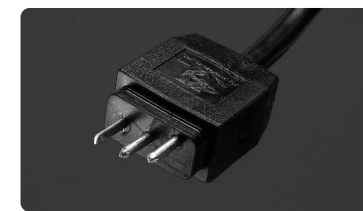
4 Spa Builders Support
120V or 240V/60Hz
Flat Side Down, 3 Prong Amp



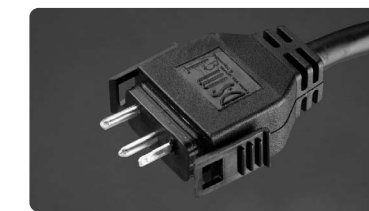
5 Large J & J
120V or 240V/60Hz



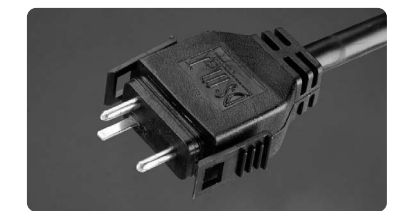
6 Mini J & J
120V or 240V/60Hz



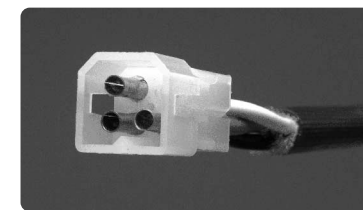
7 Hot Springs Mini J & J
120V or 240V/60Hz
1997 and Beyond



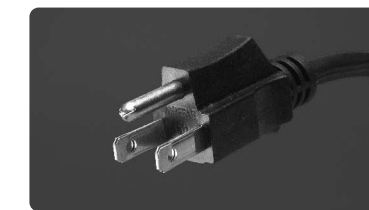
8 Sundance (Blue)
SS2PSA 120SD
120V/60Hz



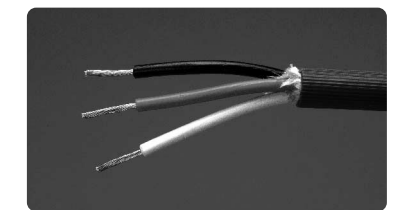
9 Sundance (Aqua)
TSP 240SD
120V or 240V/60Hz



10 Sundance (Molex)
120V or 240V/60Hz
Female Plug, Female Pins



11 3 Prong Nema
Grounded
120V/60Hz



12 Pigtail
For Hardwire Only
120V or 240V/60Hz



13 Hydro Quip
120V or 240V/60Hz



14 Gecko
120V or 240V/60Hz

Spa Plug Configuration Part Numbers – see page 16 for part numbers

NEW Retail 30 Second OZONE Detection Kit



In just 3 Easy Steps, you will know if your Ozone generator is working.



*18 Individual per case

Part Number 1008069

When Ozone, from the Ozonator on your Spa, bleaches the blue indicator material to white, in 30 seconds or less, the unit is making enough Ozone.

3 Easy Steps

1. Turn the power off: Insert Ozone Detection tube inline with suction jet tube.
2. Turn the spa on for 30 seconds.
3. If the complete detection tube went from Blue to White – Ozone is present.

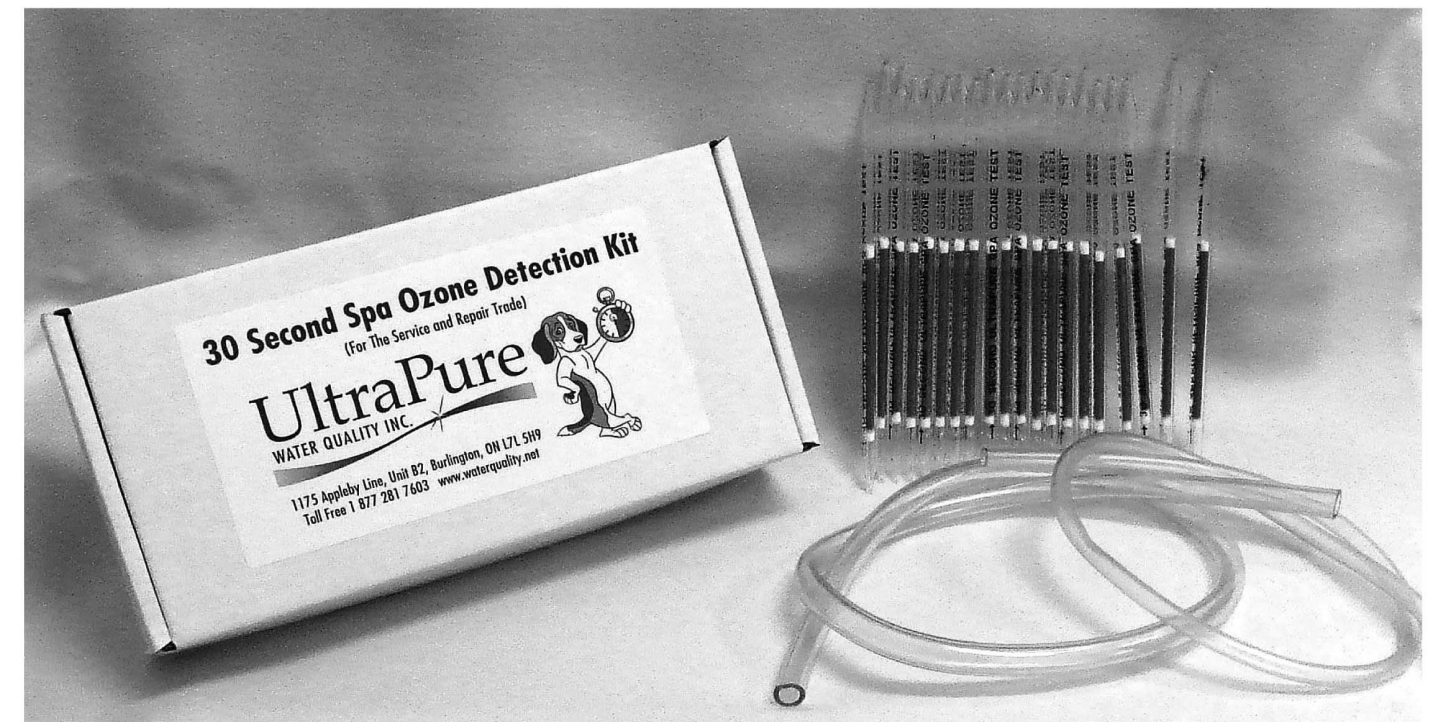
You're Done!

Reliable Value and Years of Nature Fresh Spa Water.

NEW 30 Second Spa OZONE Detection Kit

For the Service and Repair Trades

A spa's life expectancy is approximately ten years. This means each spa requires at least three or four new/refurbished Ozone generators during its life span. Mathematically, the potential volume of replacement spa Ozone generators is two to three times the new unit annual sales. Spa service people often 'overlook' this replacement opportunity, which can be done easily while on a call for other repairs or servicing of any spa. Now, there is a method to show the spa owner that it is time to renew their Ozone generator, even if it appears to be running. We are offering an affordable 'Field Test Kit for Spa Ozone Output'. The Ozone indicator tubes used in the kit are adapted from quantitative industrial safety air-quality test equipment for qualitative use with spa Ozone Generators.



Part Number 1008070

3 Easy Steps

1. Turn the power off: Insert Ozone Detection tube inline with suction jet tube.
2. Turn the spa on for 30 seconds.
3. If the complete detection tube went from Blue to White – Ozone is present.

You're Done!

Reliable Value and Years of Nature Fresh Spa Water.

NEW Ozone Detection Kits

UWQ Part Number	Description
1008069	Retail Individual Ozone Detection Kit (18 per case)
1008070	Ozone Detection Kit – For Service Industry (20 tubes per kit)
1008071	Air Flowmeter Control Kit

Replacement Lamps and Power Supply Kits

UWQ Part Number	Description
3901822	Replacement Lamp For UPS350 and EUV3
1008030	UPS350 120V Power Supply Kit
1008031	UPS350 240V Power Supply Kit

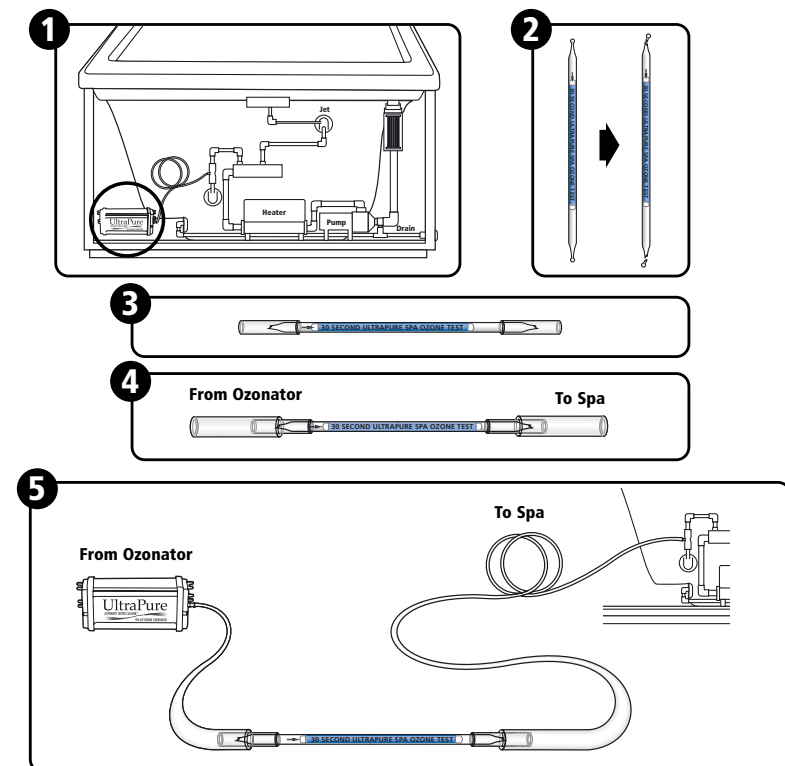
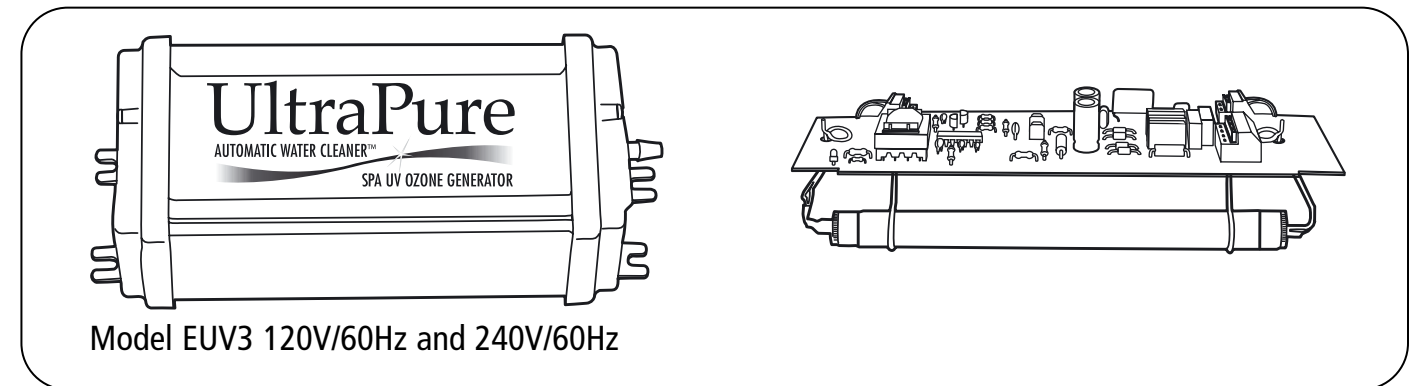
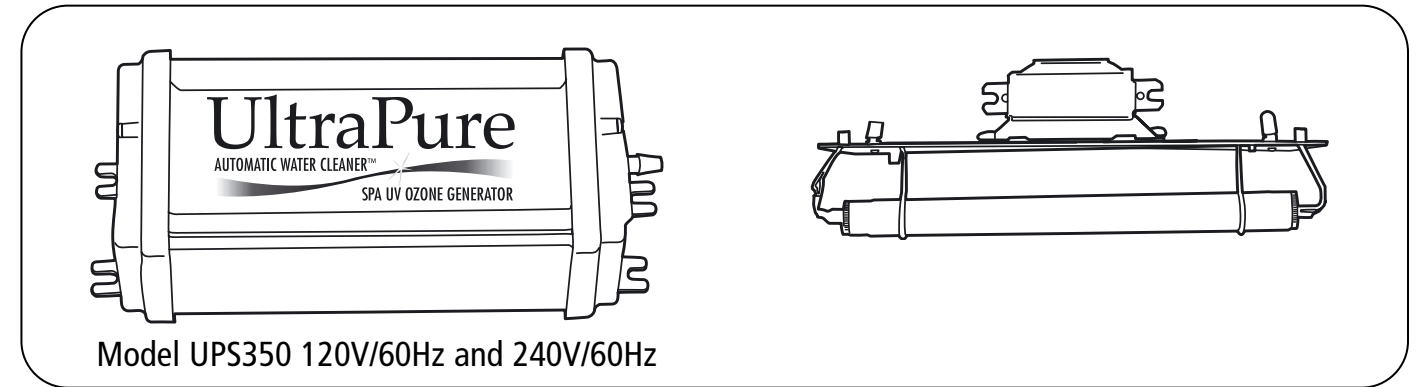
Replacement Parts

UWQ Part Number	Description
3408104	1/4" x 1/4" Popette Check Valve
3408109	1/4" x 3/8" Popette Check Valve
3408220	1/4" Glow Adaptor
3408050	1/4" x 3/8" Reducing Adaptor
3403607	1/4" ID Clear Tubing (per foot)
1008050	7/32" Dual Injector Small (Black) 1/2" Glue or 3/4" Clamp
1008051	17/64" Dual Injector Small (Gray) 1/2" Glue or 3/4" Clamp
1008052	19/64" Dual Injector Small (White) 1/2" Glue or 3/4" Clamp

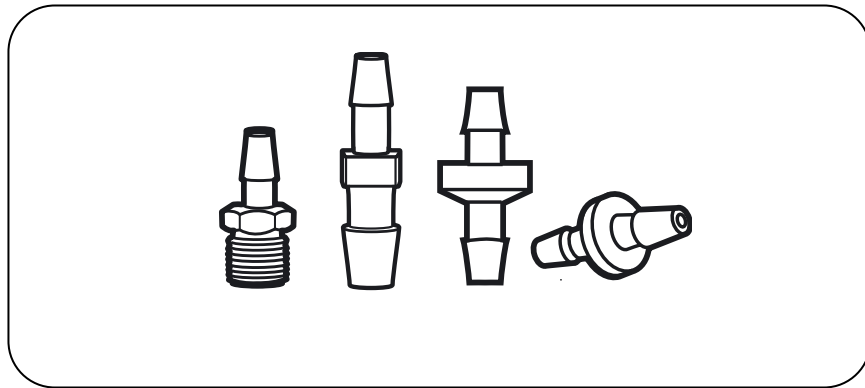


Exploded Spa Diagram

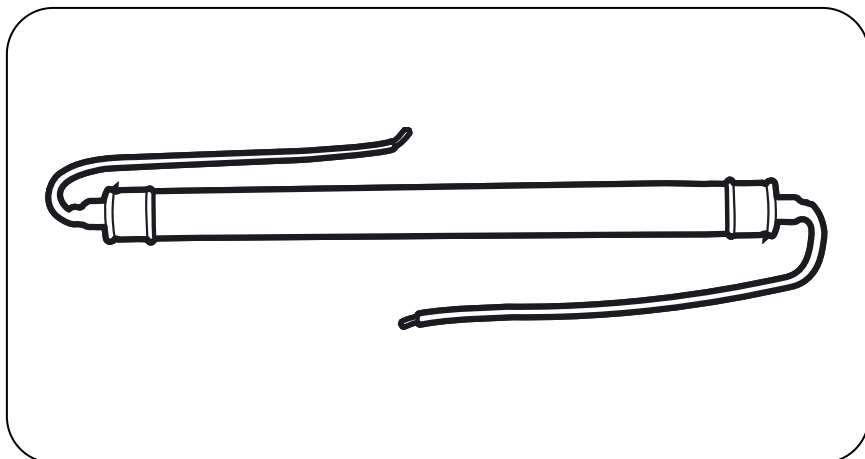
UPS, EUV & Spa Ozone Detection Schematics



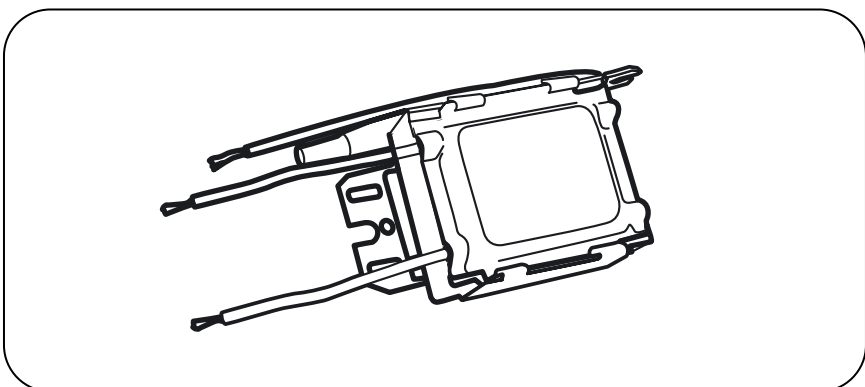
UPS & EUV Parts



Spa Fittings



Spa Replacement Lamp



Spa Replacement Transformer

UltraPure™ Spa Installation

Spa Installation Options

Most spa manufacturers sell their spas Ozone ready from the factory. This means your spa manufacturer has done most of the work for you. When connecting any UltraPure™ Automatic Water Cleaners™ under the spa cabinet, form the 1/4" Ozone tubing into a high double Hartford loop. This is to help prevent water from reaching the ozonator in the event of check valve failure.

Ozone Ready Spas

Locate the end of the factory installed Ozone ready tubing under the spa cabinet skirt. Insert the 1/4" Check Valve into the factory installed tubing coming from the spa. Attach the other end of the check valve to the spa's Ozone tubing. Attach the remaining end of the 1/4" Ozone tubing to the barbed fitting on your UltraPure™ ozonator.

Spas Not Ozone Ready

There are a number of other ways to inject Ozone into a portable spa which is not Ozone ready from the factory. The most common is by using an Ozone Venturi available for purchase separately. The injector creates a slight vacuum, drawing Ozone gas from the Ozonator, and mixing it with water. Our Venturi's are versatile and can be plumbed using 3/4" or 1/2" PVC Pipe.

There are three orifice sizes available: 7/32" (small), 17/64" (medium) and 19/64" (large) complete with an arrow to indicate water flow direction.

We have designed an in-house testing facility to gauge flow rates under different conditions. This allows you to choose the best injector for your system. We have found controlling the airflow (using a threaded rod) to be superior to controlling the water flow.

The UltraPure™ Automatic Water Cleaner™ is installed on a spa where it treats the spa water (only) when the circulation system runs on low speed (filtration and heating) cycle the more work the ozonator will do. With heavy use, a longer cycle may be required. It is recommended that you run your spa four to six hours per day on low speed.

Your UltraPure™ Automatic Water Cleaner™ is virtually maintenance free. Your unit should be stored indoors during cold weather or when not in use.

Spa Water Testing

Test the water regularly using a water test kit.

Test	Ideal Range
Bromine	4.0 ppm
Free Available (FAC)	2.0 ppm (minimum)
Total Chlorine (TC)	Up to 0.5 ppm Above the FAC reading
pH	7.4 – 7.8
Total Alkalinity (TA)	100 – 130 ppm
Calcium Hardness (CH)	200 – 250 ppm
Total Dissolved Solids (TDS)	300 – 1200 ppm

FAQ – Simple Answers to Common Questions About Ozone

What is Ozone?

Ozone is nature's natural purifier. It is a compound known as O₃ and is produced from oxygen (O₂) in air. Ozone purifies water and air and leaves simple oxygen as a byproduct.

Why should I use Ozone in my pool?

It breaks down greases and oils and alters ammonia compounds to avoid obnoxious Chlorine (combined) compounds. The quality of your water will be far superior when you use Ozone in combination with a low level of chlorine. The UltraPure™ Automatic Water Cleaners™ are specially designed to purify pools up to 50,000 gallons of water at 6 to 12 hours per day.

Where is Ozone used?

Ozone is used to purify bottled drinking water, municipal drinking water, commercial and residential swimming pools, spas, fountains, fish tanks and other types of water. It is also used to deodorize and purify air.

What does Ozone do in pool water?

Ozone removes or alters non-living bather wastes - body oil, perspiration, urea, and suntan lotion – found in pool water. Therefore, undesirable Chlorine byproducts are avoided, water quality is improved, filters stay cleaner, and fewer chemicals are required.

Do I have to shock my pool water?

No! Ozone is a non-Chlorine Shock and the strongest oxidizer (shock) available. When your circulation system is running, you are continuously and automatically shocking your pool water.

Will I have to circulate my pool longer?

No! The filtration cycle for a residential pool should be from dawn to dusk no matter what purification system is used. When Ozone is used, purification is occurring while the water is being filtered.

Will I see a cost saving if I use Ozone?

Yes! The normal cost savings in a residential pool is up to 85%. Ozone is pH neutral and does not cause fluctuations in pH or alkalinity, so you do not have to constantly rebalance your pool water. Ozone virtually eliminates specialty chemicals such as shock, clarifiers, algaecides, de-foamers, and stabilizers. An average Ozone pool should save hundreds a year in chemical costs!

Will my pool be chemical free?

No! Ozone will handle the removal of bather wastes in your pool while the filtration equipment is functioning. When the equipment turns off, Ozone quickly turns to oxygen and leaves no residual sanitizer in the pool. We recommend a low level (1.0 ppm to 1.5 ppm) of chlorine as a residual sanitizer to combat the introduction of algae while the equipment is off.

Do I have to test for Ozone?

No! Ozone reverts to environmentally friendly oxygen almost immediately. There is no residual to test. Just run your system from dawn to dusk and enjoy the sparkling clear, clean and healthy water in your pool. You know the Ozone has done its work when the difference between Total and Free Available Chlorine is less than 0.5 PPM – because Ozone is a continuous non-Chlorine shock.

What personal advantages does an Ozone pool offer?

Plenty! No more burning eyes, itchy skin, green hair, faded bathing suits and unlike chemical pools, your UltraPure™ Automatic Water Cleaner™ will not leave you feeling like you need an after swim shower! An UltraPure™ pool simply has the best water.

SUMMARY

- NATURAL PURIFICATION SYSTEM
- USED SINCE 1944
- OXIDIZES 3000 TIMES FASTER THAN CHLORINE
- DOES NOT REQUIRE ADDITIONAL SHOCK
- SAVES CHEMICAL USAGE AND COST
- NO TOXIC BY-PRODUCTS
- MIMIMAL TESTING REQUIRED
- HEALTHIER WATER
- LOWEST MAINTENANCE AVAILABLE
- LESS HARSH ON POOL EQUIPMENT AND PLASTER

Warranty Procedures Return Authorization Number (RGA)

UltraPure™ Water Quality Inc. stands firmly behind all of our products. If any of the items you have purchased have become defective within the warranty period, you may return the items by following these procedures.

To obtain an RGA number please...

Fax: **905-335-1483** or e-mail: **help@waterquality.net**
with the following information;

Name
Address
City, State and Zip or Postal Code
Phone
Fax
E-mail
Part Number
Model Number
Voltage
Serial Number or Date Purchased (proof maybe required)

1. Reference your RGA number on the outside of the package.
2. All products being returned must be in original packaging and in resalable condition. All returns/package are subject to incoming inspection by a Quality Control Technician. If parts are no longer in original packaging, a restocking fee may be applied or the product may be returned to your company. There must be no markings or labels from your company on the product or packaging. A fee may be applied if parts are missing from the products.
3. Please print two copies of the return authorization form (RGA). Enclose one copy of the RGA inside the package, noting a brief explanation for the return. Attach the other copy to the outside of the package for custom verification.
4. Write RETURN on the outside of the package.
5. All duties, taxes and ship charges are the customer's responsibility, unless stated otherwise.
6. The RGA is valid for Thirty (30) Days from date issued.
7. UltraPure Water Quality Inc. is NOT responsible for damage to the products during transit by the shipping company. UltraPure Water Quality Inc. is not responsible for any package lost during shipping.

Service Call

UltraPure Water Quality Inc. has Authorized Service Dealers (ASD) located throughout the U.S. This procedure still requires an authorization number.

In order for work to be performed promptly and correctly, please follow this procedure for all claims related to UltraPure™ Water Quality Inc. warranty issues. This will guarantee that the Authorized Service Dealers (ASD) are paid promptly, customers are serviced quickly and potential problems are tracked and corrected swiftly.



Step 1: Pool Builder/Dealer

Please fax the following information to UltraPure Water Quality Inc. at 905-331-8661

- Builder name and Plaster date
- Complete customer information (Name, Address, Phone Number)
- Type of problem and specific problem details
- Other notes related to the service
- Ozone generator information (Model, Serial Number, Voltage)

Step 2: UltraPure™ (Total processing time 1-2 business days)

UltraPure Water Quality Inc. will process the information into our warranty log and ensure all necessary information is complete.

- Contact homeowner and ensure that work is covered under warranty
- Assign an Authorization number
- Select the appropriate ASD and fax the authorization form

Step 3: Authorized Service Dealers (Maximum allowed service time, 10 business days)

The warranty station will contact the homeowner to schedule a service visit, assess the problem, repair the unit as necessary and record the following information.

- Date completed
- Problem(s) found, Work preformed, Parts used
- Whether the installation was correct, also note whether there are any reasons the unit should not be covered under warranty
- Complete and confirm the ozone generator information
- Fax the completed work order back to UltraPure Water Quality Inc. as soon as the work is completed to aid tracking

If it is determined that the service performed was not covered under UltraPure's warranty, the Builder/Dealer will be billed by UltraPure™ for any parts and labor by both the ASD and UltraPure™.

Important Notes:

1. Pool Builders are not to perform their own warranty service unless they are established as an Authorized Service Dealer (ASD) for UltraPure™.
2. Warranty terms extend only from date of initial installation.
3. Builders/dealers will be billed if authorized service is determined to be ineligible for warranty coverage.
4. UltraPure Water Quality Inc. will only cover service costs for products explicitly covered under our warranty. The UltraPure™ warranty covers products for a finite amount of time and does not cover accidental damage, improper installation or neglect.
5. Service cannot be performed if the air temperature is below 50°F. Below this temperature, the mercury vapor will condense, preventing proper lighting of the lamp(s) and resulting in flickering.

Any variance from these procedures must be agreed to, in writing, signed by UltraPure Water Quality Inc.

UltraPure
WATER QUALITY INC.

1175 Appleby Line, Unit B2
Burlington ON L7L 5H9
Telephone: 905 335-4085
Fax: 905 335-1483
Customer Service: 877 281-7603
www.waterquality.net

Literature & Support Material Form

Company: _____ Contact: _____

Address: _____ Phone Number: _____

City: _____ Fax Number: _____

State/Province: _____ E-mail Address: _____

Zip/Postal Code: _____ Web Address: _____

Federal Id Number: (Required Only Once) _____

QTY	Part Number	Description
	3704200	UltraPure™ Spa Manual
	3704700	UltraPure™ Pool Manual
	5101650	Mailer / Hanger
	5101800	Pool / Spa Owner's Guide
	5102009	Product Book
	5301000	Spa Brochure – UPS
	5301035	Spa Brochure – EUV
	5301003	Pool Brochure – Fold Out
	5301004	Pool Brochure – Single Page
	5301140	Article – Using Ozone with Chlorine Generators
	5301150	Article – Ozone for Residential Pools
	5301160	Article – Power of Ozone
	5301170	Article – Ozone Q & A
	5301180	Article – Ozone in Spa Application
	5404400	Counter Display

Photocopy, Fax or visit our Website

