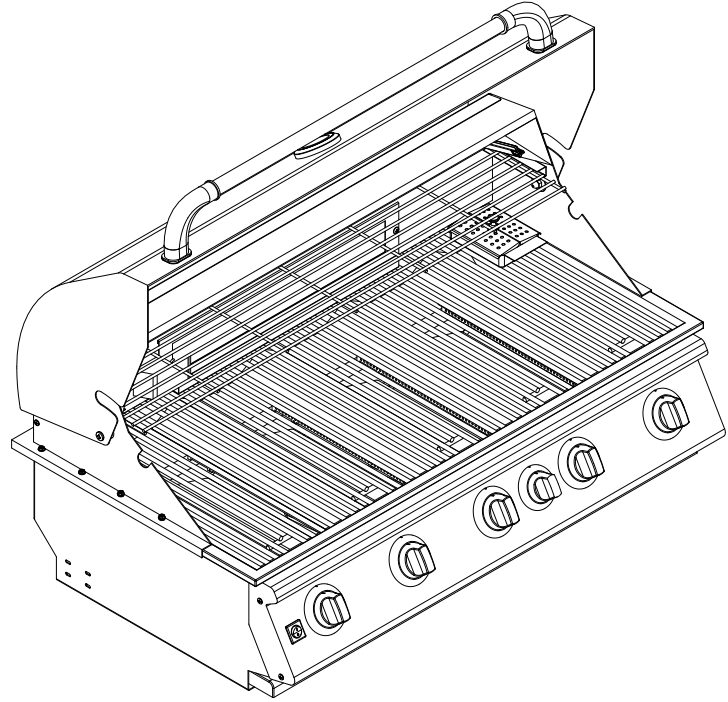


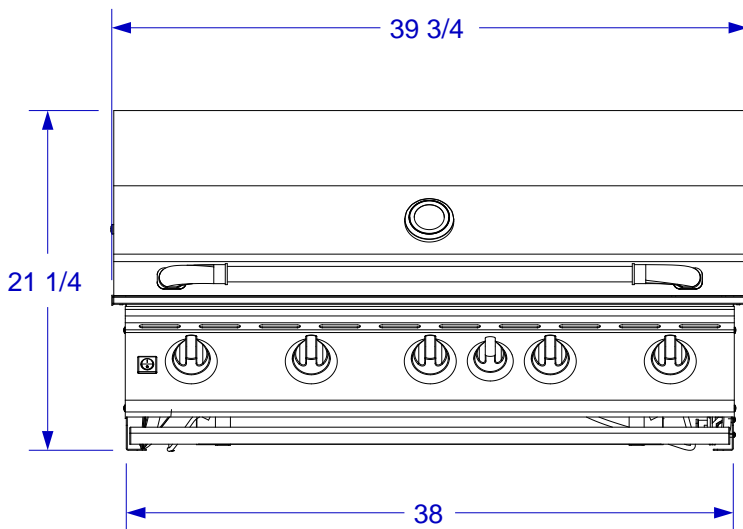


BRAHMA GRILL

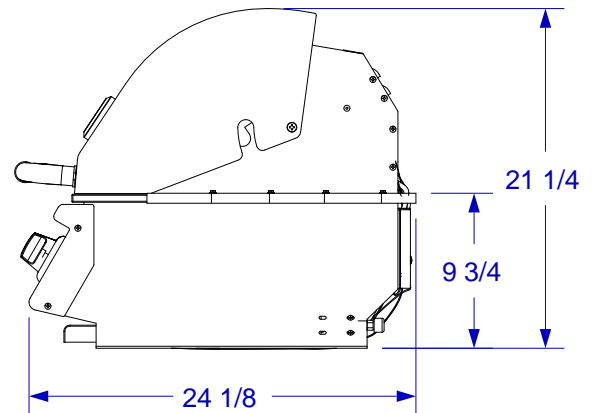
SPEC SHEET



ISOMETRIC VIEW



FRONT VIEW



RIGHT SIDE VIEW

NOTES:

1. CUTOUT DIMENSIONS: 38 1/2" X 20 1/2" X 10"
2. SCALE: 1" = 1'-0"
3. REVISION: 10/2009