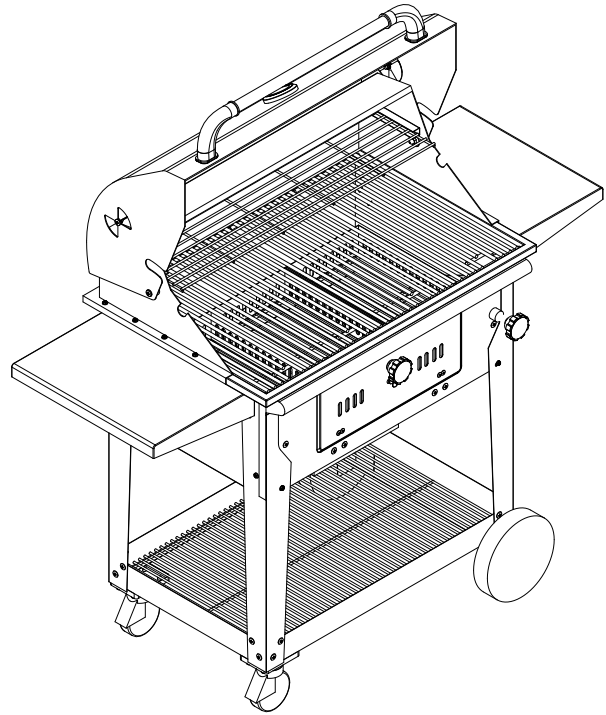
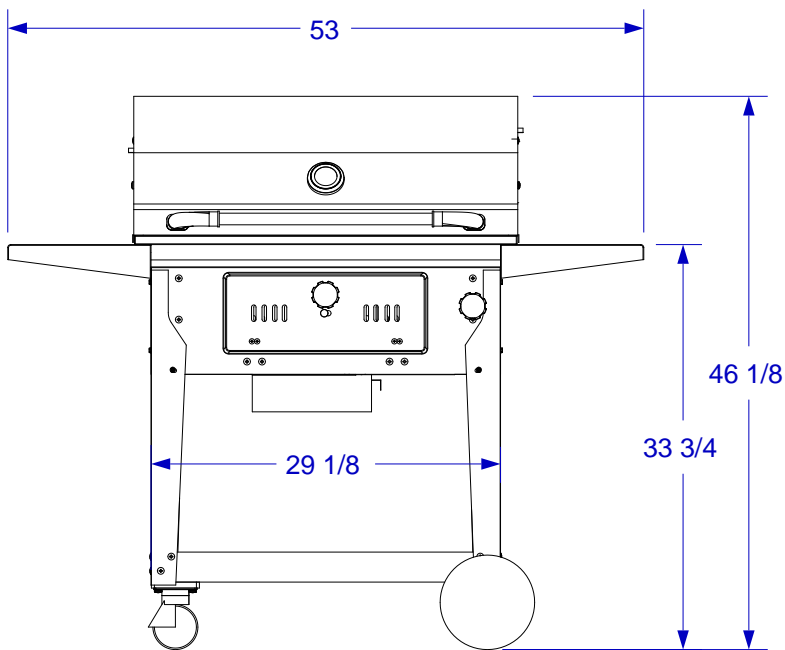




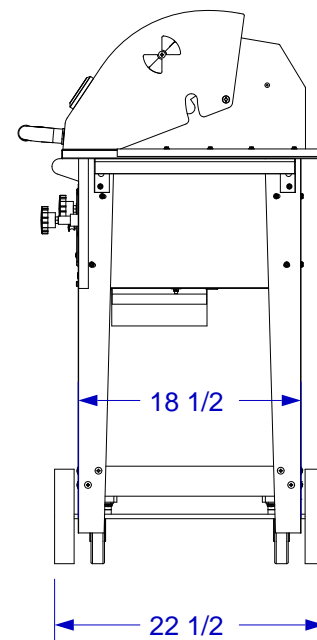
BISON CHARCOAL CART SPEC SHEET



ISOMETRIC VIEW



FRONT VIEW



RIGHT SIDE VIEW

- NOTES:
1. SCALE: 3/4" = 1'-0"
2. REVISION: 10/2009