



IntelliBrite[®] 5g

White LED Underwater Pool Light



Installation and User's Guide

IMPORTANT SAFETY INSTRUCTIONS
READ AND FOLLOW ALL INSTRUCTIONS
SAVE THESE INSTRUCTIONS

Technical Support

Phone: (800) 831-7133 - Fax: (800) 284-4151

Web sites: www.pentairpool.com and www.staritepool.com:

Contents	
IMPORTANT WARNING AND SAFETY INSTRUCTIONS.....	i
IntelliBrite Underwater White LED Pool LED Light	1
Operating IntelliBrite lights using a wall switch	1
Using an External Transformer for Multiple IntelliBrite 12 VAC Lights	1
IntelliBrite® 5g White LED Pool Light models.....	2
Troubleshooting	2
Replacing the IntelliBrite White LED Pool Light Assembly (in an existing pool)	3
Installing the IntelliBrite White LED Pool Light Assembly (after electrical requirements are met).....	4
Installing the IntelliBrite White Pool LED Light Fixture (new pool construction)	6
Installing the IntelliBrite White LED Pool Light Fixture (after electrical requirements are met).....	7
Replacing the IntelliBrite White Pool LED Light Circuit Board Assembly (in an existing pool).....	9
Replacing the IntelliBrite White Pool Light Circuit Board Assembly With New Gasket	11
Wide and Narrow Angle Lens Adjustment.....	14
IntelliBrite White LED Pool Light Replacement Kit Part Numbers	15



© 2010 Pentair Water Pool and Spa, Inc. All rights reserved.

1620 Hawkins Ave., Sanford, NC 27330 • (919) 566-8000
10951 West Los Angeles Ave., Moorpark, CA 93021 • (805) 553-5000

IntelliBrite®, IntelliTouch®, EasyTouch®, SunTouch® and Pentair Water Pool and Spa® are registered trademarks of Pentair Water Pool and Spa, Inc. and/or its affiliated companies in the United States and/or other countries. Unless noted, names and brands of others that may be used in this document are not used to indicate an affiliation or endorsement between the proprietors of these names and brands and Pentair Water Pool and Spa, Inc. Those names and brands may be the trademarks or registered trademarks of those parties or others.

P/N 619921 Rev A - 12/14/10

IMPORTANT WARNING AND SAFETY INSTRUCTIONS



SERIOUS BODILY INJURY OR DEATH CAN RESULT IF THIS LIGHT IS NOT INSTALLED AND USED CORRECTLY.



INSTALLERS, POOL OPERATORS AND POOL OWNERS MUST READ THESE WARNINGS AND ALL INSTRUCTIONS BEFORE USING THE POOL LED LIGHT.



Most states and local codes regulate the construction, installation, and operation of public pools, and the construction of residential pools. It is important to comply with these codes, many of which directly regulate the installation and use of this product. Consult your local building and health codes for more information.



IMPORTANT NOTICE - Attention Installer: This Installation and User's Guide ("Guide") contains important information about the installation, operation and safe use of this underwater pool LED light. This Guide should be given to the owner and/or operator of this equipment.



Before installing this product, read and follow all warning notices and instructions in this Guide. Failure to follow warnings and instructions can result in severe injury, death, or property damage. Call (800) 831-7133 for additional free copies of these instructions. Please refer to www.pentairpool.com for more information related to this products.



RISK OF ELECTRICAL SHOCK OR ELECTROCUTION:

IntelliBrite 5g white pool LED light REQUIRE HIGH VOLTAGE WHICH CAN SHOCK, BURN, OR CAUSE DEATH.



BEFORE WORKING ON INTELLIBRITE LIGHTS! Always disconnect power to the pool and/or spa lights at the circuit breaker from the light before servicing the light. Failure to do so could result in death or serious injury to service person, pool users or others due to electric shock.

This underwater light must be installed by a licensed or certified electrician or a qualified pool professional in accordance with the National Electrical Code (NEC), NFPA 70 or the Canadian Electrical Code (CEC), CSA C22.1. All applicable local installation codes and ordinances must also be adhered to. Improper installation will create an electrical hazard which could result in death or serious injury to pool users, installers or others due to electrical shock, and may also cause damage to property. Always disconnect the power to the pool light at the circuit breaker before servicing the light. Failure to do so could result in death or serious injury to serviceman, pool users or others due to electrical shock.

READ AND FOLLOW ALL INSTRUCTIONS IN THIS MANUAL.



Important Safety Information for Pentair Niche and Light Installation

- All Niche and Light installations must conform with all codes. If local codes mandate a cord seal, use Pentair Water Pool plastic niches (P/N 79206700) and Cord Seal Kit (P/N 670044).
- Under **no circumstances** replace lights by splicing wire under water or behind niche.

IMPORTANT WARNING AND SAFETY INSTRUCTIONS

⚠ WARNING RISK OF ELECTRIC SHOCK AND INJURY. USE ONLY THE INSTALLATION METHOD SPECIFIED BELOW.

Location of Luminaire Use	Pentair Water Pool and Spa Fountain Fixture* (P/N 560001 and P/N 560000)	Required Installation Method
Swimming Pool and Spa	Wet-Niche Swimming Pool (or Spa) Luminaire (Light)	Fixture Housing (Forming Shell) ONLY. DO NOT USE Fountain Fixture Stand.
Fountain	Wet-Niche Submersible Luminaire (Light) swimming Pool (or Spa) Luminair (Light)	Fixture Housing (Forming Shell) or Fountain Fixture Stand.

(*) Note: Wet-niche luminaires complying with requirements for both uses may bare both the Listed Wet-Niche Submersible Luminaires UL Mark. A luminaire not bearing the corresponding UL Listing Mark is not considered by UL to have been produces under UL's Listing and Follow-Up Service for the associated usage location.

CAUTION - The Pentair Water Pool and Spa® IntelliBrite LED light fixture must only be used with Pentair Water Pool and Spa fixture housings (niches). If the IntelliBrite LED light fixture is installed into other niches, the installation will not carry U.L. approval and will void all warranties.

NOTICE: The external flexible cable or cord of this luminaire cannot be replaced; if the cord is damaged, the luminaire shall be destroyed.

⚠ WARNING For countries in compliance with International Electrotechnical Commission (IEC) regulatory standards: The light fixture must be installed by a licensed or certified electrician or a qualified pool service person, in accordance with IEC 364-7-702 and all applicable local codes and ordinance. Improper installation will create an electrical hazard, which could result in death or serious injury to pool user, installer or other due to electrical shock and may also cause damage to the property.

⚠ WARNING Salt is an inherently corrosive material. While the levels of salt required for proper operation of an electronic chlorine generator are relatively low when compared to sea water and other salt solutions, placing any amount of salt in your pool increases the likelihood of corrosion or other deterioration of pool equipment and any surfaces used in and around your pool. Metal parts and certain natural and man-made surfaces are particularly susceptible to corrosion and deterioration when used in and around salt water pools. Pentair Water Pool and Spa does not represent or otherwise guarantee that the proper use of an electronic chlorine generator will prevent corrosion or other deterioration of pool equipment and any surfaces used in and around your pool. Consult your experienced pool professional, who should be able to advise you on the proper material selection, installation techniques for those materials, and the proper use, care and maintenance of those materials for your specific pool type and location in order to minimize the corrosion and deterioration that is inherent in and around salt water pools.

IntelliBrite® 5g White LED Pool Light Overview

This manual describes how to install the IntelliBrite 5g white underwater LED pool light. These IntelliBrite lights provides brilliant white light for a spectacular effect in your pool. The unique IntelliBrite lens geometry provides a choice between two light beam shapes; wider coverage with less intensity, or narrower coverage with more intensity. For more information, see page 14.

Operating IntelliBrite lights Using a Wall Switch

IntelliBrite white LED pool lights can be manually controlled using a standard wall-mount light switch. Multiple IntelliBrite lights can be connected via a junction box to a single switch so that all lights can be switched on and off together. IntelliBrite LED lights can also be controlled via Pentair Water Pool and Spa® IntelliTouch®, EasyTouch® and SunTouch® automation systems. For more information refer to the IntelliTouch User's Guide (P/N 520102), EasyTouch User's Guide (P/N 520584), and SunTouch User's Guide (P/N 520785).

IntelliBrite 5g White LED Pool Light Voltages

IntelliBrite white LED pool lights use following voltages:

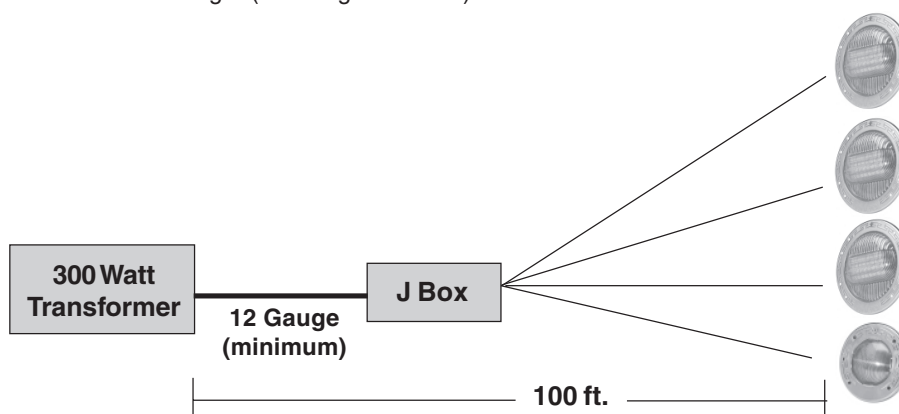
- 12 VAC (requires 120 VAC to 12 VAC transformer)
- 120 VAC (integrated 12 VAC transformer)

For more information, see page 16.

Note: Cord length varies from 30 ft. (9.14 m) to 250 ft. (76.2 m). For IntelliBrite white LED pool white light replacement parts list, see page 15.

Using an External Transformer for Multiple IntelliBrite 12 VAC Lights

When using multiple IntelliBrite pool 12 VAC LED lights on a **300 Watt** transformer, it is recommended that no more than three IntelliBrite pool lights and one (1) IntelliBrite Spa light be used. It is also recommended not to exceed 100 feet of total cable run between the transformer and light (see diagram below).



IntelliBrite® 5g White LED Pool Light models

There are two IntelliBrite 5g White LED Pool light models:

- IntelliBrite 5g White LED Pool Light, 120 VAC (P/N 600101) with integrated 12 VAC transformer, 50 ft. cord length*
- IntelliBrite 5g White LED Pool Light, 12 VAC (P/N 600104) requires 120 VAC to 12 VAC transformer), 50 ft. cord length*
(* cord length varies from 30 ft. to 100 ft.

Troubleshooting

Problem	Cause/Action
The light will not illuminate.	Check the GFCI ground fault wiring and reset if necessary.
Light does not function properly.	Check the light wiring connection to the junction box at the pool side and to the AC power switch. Be sure that there is proper AC power applied to the light.

Replacing the IntelliBrite White Pool LED Light Assembly (in an existing pool)



Risk of Electrical Shock or Electrocution!

This underwater light must be installed by a licensed or certified electrician or a qualified pool professional in accordance with the National Electrical Code and all applicable local codes and ordinances. Improper installation will create an electrical hazard which could result in death or serious injury to pool users, installers or others due to electrical shock, and may also cause damage to property.

Always disconnect the power to the pool light at the circuit breaker before servicing the light. Failure to do so could result in death or serious injury to serviceman, pool users or others due to electrical shock.

Verify that the pool and spa meets the requirements of the current National Electrical Code and all local codes and ordinances. A licensed or certified electrician must install the electrical system to meet or exceed those requirements before the underwater light is installed. Some of the requirements of the National Electrical Code which the pool's electrical system must meet are as follows:

- The lighting circuit has a Ground Fault Circuit Interrupter (GFCI) for line voltage models, and has an appropriately rated circuit breaker.
- The Junction Box (or, for **12 volt models**, the low voltage transformer) is located at least eight (8) inches above ground level and at least 48 inches from the edge of the pool; see Figure 1 on page 3.
- The light fixture and all metal items within five (5) feet of the pool are properly electrically bonded.
- The wet niche is properly installed so that the top edge of the underwater light's lens is at least 18 inches below the surface of the water in the pool; see Figure 1 on page 7.
- The wet niche is properly electrically bonded and grounded via the No. 8 AWG ground connector located at the rear of the niche; see Figure 1.

Note: *The pool and/or spa electrical system can be verified with a Pool and Spa Electrical Qualification Test Kit. The test kit is available from Pentair Water Pool and Spa. The electrical system inspection using this kit must be performed by trained and certified personnel.*

- To be certain that the pool's electrical system meets all applicable requirements, the electrician should also consult the local building department.
- Use only Pentair Pool Products® wet niches to insure proper bonding and grounding connections.

Replacing the IntelliBrite White LED Pool Light Assembly (after electrical requirements are met)

The following removal and installation instructions describe how to remove and install the IntelliBrite white LED pool light assembly. Also use these instructions after completing the following light replacement procedure:

WARNING

Failure to bring the pool or spa's electrical system up to code requirements before installing the underwater light will create an electrical hazard which could result in death or serious injury to pool users, installers, or others due to electrical shock, and may also cause damage to property.

1. **WARNING! Switch off main electrical switch or circuit breaker, and the switch which operates the IntelliBrite underwater light.**
2. **To remove light fixture assembly from the pool.** Remove the special bronze pilot screw at top of face ring. Remove the IntelliBrite light assembly from the niche and place it on the deck.
3. Cut the cord about 12 inches from the back of the light assembly.
4. Remove Junction Box cover, disconnect the light fixture wires, and pull the cord through the conduit. **Tip: Before pulling the cord, tape the new cord to the existing cord, This might make it easier to feed the new cord through the conduit (see following step).**
5. Feed the new light fixture cord through the conduit from the niche to the Junction Box. **Note:** Depending on the length of the conduit, special tools may be required to pull the cord through the conduit.
6. Leave at least four (4) feet of cord to coil around the light fixture; see Figure 1 on page 7. This four (4) feet of cord coiled around the light allows the light to be serviced after the pool is filled with water.
7. Cut the cord at the Junction Box, leaving at least size (6) inches of cord to make connections.
8. Strip six (6) inches of the outer cord jacket from the cord to expose the three insulated wires – Be careful not to damage the insulation on the three inner wires.

9. Connect all three wires to the corresponding circuit wires in the Junction Box (black wire to power, white wire to common, and green wire to ground) and secure the Junction Box cover in place.
10. Install the IntelliBrite light assembly into the niche and tighten the special bronze pilot screw.

⚠ WARNING Use only the **special pilot screw provided** with this underwater light. This screw mounts and electrically grounds the housing securely to the mounting ring and wet niche. Failure to use the screw provided could create an electrical hazard which could result in death or serious injury to pool users, installers or others due to electrical shock.

Pilot screw (brass)



IntelliBrite White LED Pool Light

11. **Final check for proper IntelliBrite light operation:** Switch on the main switch or circuit breaker to the system, and the switch that operates the IntelliBrite underwater light itself. The light should illuminate when power is applied. If not recheck the installation steps starting with Step 1 (page 4).

⚠ WARNING Never operate this underwater light for more than ten (10) seconds unless it is totally submerged in water. Without total submersion, the light assembly will get extremely hot, which may result in serious burns or in breakage of the lens. This may result in serious injury to pool users, installers bystanders, or damage to property.

INTELLIBRITE WHITE LED POOL LIGHT FIXTURE INSTALLATION (NEW POOL CONSTRUCTION)

The following describes how to install the IntelliBrite white LED pool light fixture. Read page 3 before starting the installation procedure.

BEFORE STARTING: The following steps 1-7 (page 7-8) describe the tasks that must be completed by the electrician before the IntelliBrite light fixture is installed. See Figure 1 diagram on page 7.

WARNING

Be sure that the pool and/or spa meets the requirements of the current National Electrical Code (N.E.C.) Article 680-22 and all local codes and ordinances. A licensed or certified electrician must install the electrical system to meet or exceed those requirements before the underwater light is installed. Some of the requirements of the National Electrical Code which the pool's electrical system must meet are as follows:

- The lighting circuit has a Ground Fault Circuit Interrupter (GFCI) for line voltage models, and has an appropriately rated circuit breaker.
- The Junction Box (or, for 12 volt models, the low voltage transformer) is located at least 8 inches above the maximum water level of the pool and at least 48 inches from the edge of the pool; see Figure 1.
- The light fixture and all metal items within 5 feet of the pool are properly electrically bonded.
- The wet niche is properly installed so that the top edge of the underwater light's lens is at least 18 inches below the surface of the water in the pool; see Figure 1. (Not more than 20" depth in Canada.)
- The wet niche is properly electrically bonded and grounded via the No. 8 AWG ground connector located at the rear of the niche; see Figure 1.

Note: The pool and/or spa electrical system can be verified with a Pool and Spa Electrical Qualification Test Kit. The test kit is available from Pentair Water Pool and Spa®. The electrical system inspection using this kit must be performed by trained and certified personnel. **Note: To be certain that the pool and/or spa electrical system meets all applicable requirements, the electrician should also consult the local building department. Use only Pentair Water Pool and Spa wet niches to insure proper bonding and grounding connections.**

INSTALLING THE INTELLIBRITE WHITE LED POOL LIGHT FIXTURE (AFTER ELECTRICAL REQUIREMENTS ARE MET)

To install the IntelliBrite light fixture:

1. Feed cord through conduit to Junction Box, leaving at least four (4) feet of cord at the light fixture to coil around the light (this allows the light to be serviced after the pool is filled with water). See Figure 1 on next page.

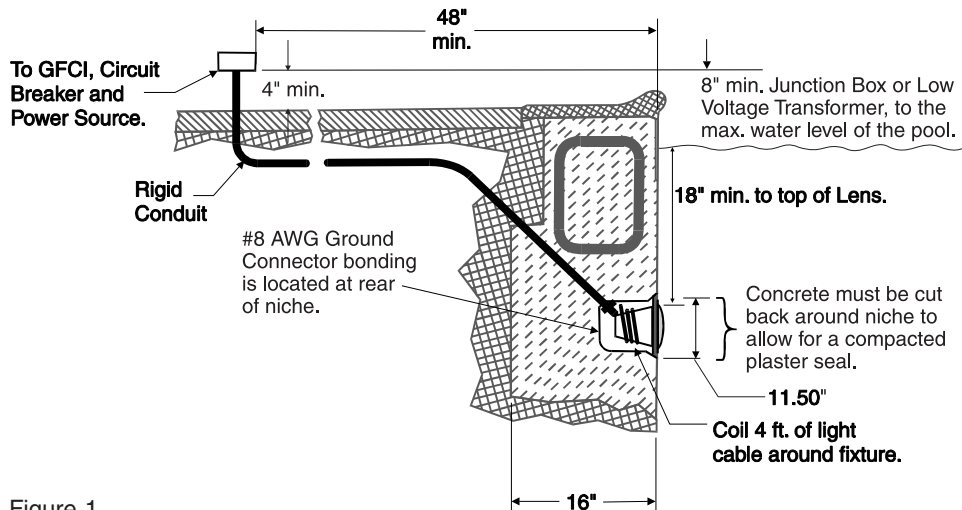


Figure 1.

2. Cut the cord at the Junction Box, leaving at least six (6) inches of cord to make connections.
3. Strip back six (6) inches of the outer cord jacket to expose the three insulated wires (be careful not to damage the insulation on the three (3) inner wires).
4. Connect all three (3) wires to the corresponding circuit wires in the Junction Box and secure the Junction Box cover in place.

⚠ WARNING Never operate this underwater light for more than ten (10) seconds unless it is totally submerged in water. Without total submersion, the light assembly will get extremely hot, which may result in serious burns or in breakage of the lens. This may result in serious injury to pool users, installers, bystanders or damage to property.

5. Install the IntelliBrite light assembly into the niche and tighten the special bronze pilot screw.

⚠ WARNING Use only the **special pilot screw provided** with this underwater light. This screw mounts and electrically grounds the housing securely to the mounting ring and wet niche. Failure to use the screw provided could create an electrical hazard which could result in death or serious injury to pool users, installers or others due to electrical shock.

Pilot screw (brass)



IntelliBrite White LED Pool Light

6. Fill the pool until the underwater light is completely submerged in water before operating the light for more than ten (10) seconds.
7. **Final check for proper light operation:** To check for proper operation, switch on the main switch or circuit breaker, and the switch that operates the IntelliBrite underwater light itself. The light should illuminate when power is applied. If not recheck the installation steps starting with Step 1 (page 7).

**FOR INTELLIBRITE WHITE LED POOL LIGHT REMOVAL AND
INSTALLATION INSTRUCTIONS SEE:**

- **IntelliBrite White LED Pool Light Removal and Installation instructions, on page 4.**

REPLACING THE INTELLIBRITE WHITE LED POOL LIGHT CIRCUIT BOARD ASSEMBLY (IN AN EXISTING POOL)

When replacing or reassembling the IntelliBrite White LED Pool Light, the Gasket (P/N 79101600) or Gasket and Lens (619864) MUST ALSO BE REPLACED - SEE PAGE 15 FOR PART NUMBERS

Removal and Installation of IntelliBrite White Light Circuit Board

DANGER



DANGER!

RISK OF ELECTRICAL SHOCK OR ELECTROCUTION

Always disconnect power to the pool light at the circuit breaker before servicing the light. Failure to do so could result in death or serious injury to installer, service person, pool users, or others due to electrical shock.

1. Turn off main electrical switch or circuit breaker, as well as the switch which operates the IntelliBrite light itself.
2. Before starting make sure that you have a new lens gasket (P/N 79101600) and a IntelliBrite 5g white LED light assembly (P/N 619834Z) ready to install.

WARNING

Replace the light assembly with the same type and wattage. Failure to replace the light assembly with the same type will damage the LED light assembly and may cause an electrical hazard resulting in death or serious injury to pool users, installers, or others due to electrical shock, and may also cause damage to property.

WARNING

Always install a new lens gasket (P/N 79101600) whenever disassembling the IntelliBrite light assembly. Failure to do so may permit water to leak into the assembly which could cause:

- (a) an electrical hazard resulting in death or serious injury to pool users, installers, or others due to electrical shock, or
- (b) breakage of the lens, which likewise could result in serious injury to pool users, installers, or bystanders, or in damage to property.

3. **REMOVING THE INTELLIBRITE WHITE LED POOL LIGHT ASSEMBLY:** Remove the pilot screw at top of face ring, remove the light assembly from the niche. Place the assembly on the deck. **Note:** It is not necessary to drain down the pool.
4. Unwind the cord from the base of the light housing.

Pilot screw (brass)



IntelliBrite White LED Pool Light

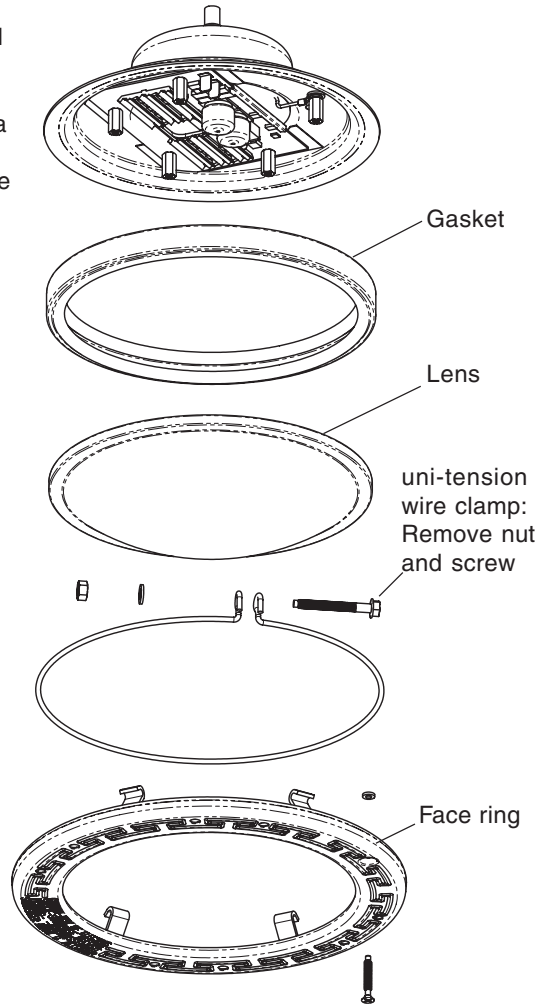
WARNING

Be sure to keep the pilot screw from the IntelliBrite LED underwater light. This screw mounts and electrically grounds the housing securely to the mounting ring and wet niche. Failure to use the screw provided could create an electrical hazard which could result in death or serious injury to pool users, installers or others due to electrical shock.

REPLACING THE INTELLIBRITE WHITE LED POOL LIGHT CIRCUIT BOARD ASSEMBLY (IN AN EXISTING POOL) (Continued)

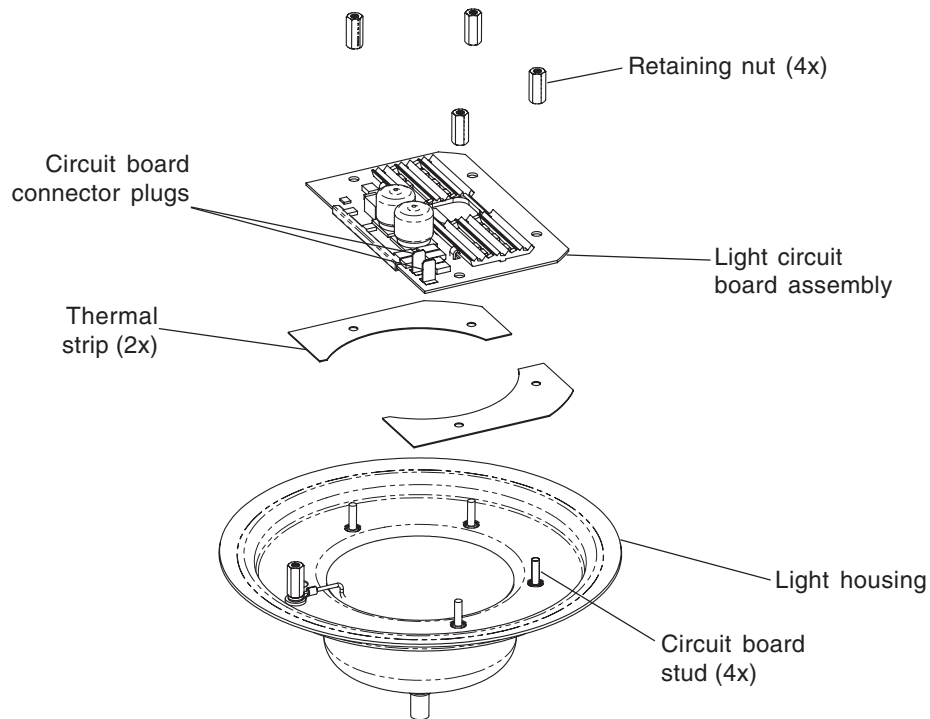
5. Place a cloth on the ground to protect the lens. Turn the light over so the lens is resting on the cloth. Using a $\frac{1}{4}$ " nut driver and a #3 Phillips screwdriver, remove the nut uni-tension wire clamp. Place the nut aside for reinstallation.
6. Remove the face ring and wire clamp from the light housing.
7. With the light resting on its base, carefully pry off the gasket to remove the lens. Set the lens aside for installation later. Discard the gasket.

Note: A NEW LENS GASKET (P/N 79101600) MUST BE USED EACH TIME THE LIGHT IS REASSEMBLED. See page 15 for Replacement Kit part numbers.



Note: Note the current position of the lens at the pilot screw (12 o'clock) position, before removing it from the fixture. "W" on the lens indicates wide angle, "N" indicates narrow angle. For more information, see page 14.

8. Using a $\frac{1}{4}$ " nut driver, carefully remove the four retainer nuts from the LED light assembly (see illustration on next page). Place the nuts aside for reinstallation.
9. Unplug the two connector plugs from the circuit board. Lift up the circuit board and remove it from the light housing base.
10. Carefully lift off the thermal strips from the base of the light housing base.
Proceed with installation step 11 on page 11.



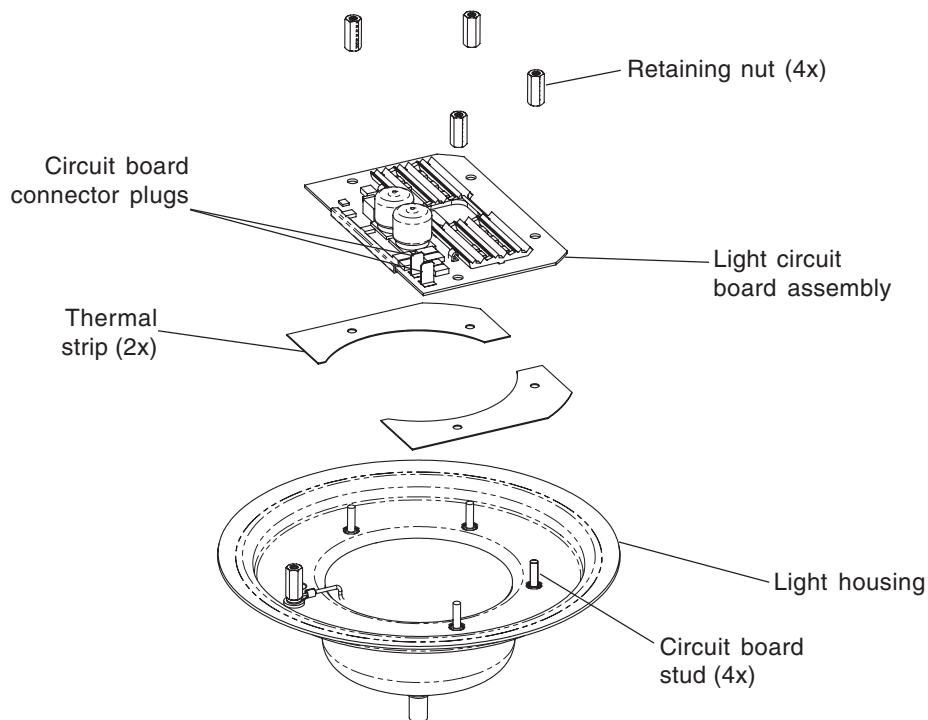
11. Place the two thermal strips (provided) over the circuit board studs in the base of the light housing (see illustration on next page).
12. Place the light circuit board over the base studs and seat the circuit board on top of the thermal strips. Be sure the two connecting wires are not caught between the housing and the edge of the circuit board.
13. Using a ¼" nut driver, secure the circuit board with the four (4) retaining nuts.

INSTALLING THE INTELLIBRITE WHITE LED POOL LIGHT ASSEMBLY WITH NEW GASKET (see illustration on next page)

⚠ WARNING Be sure to install ALL of the four (4) retaining nuts. These nuts ensure proper electrical ground. Failure to install all of the retaining nuts could create an electrical hazard which could result in death or serious injury to pool users, installers or others due to electrical shock.

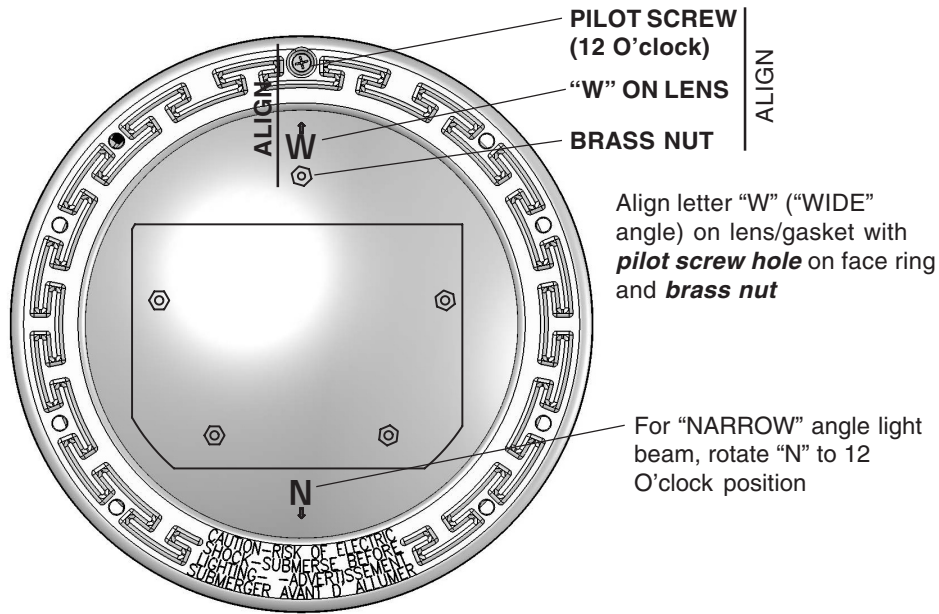
14. Connect the two connector plugs to the circuit board terminals.

Continue on next page.

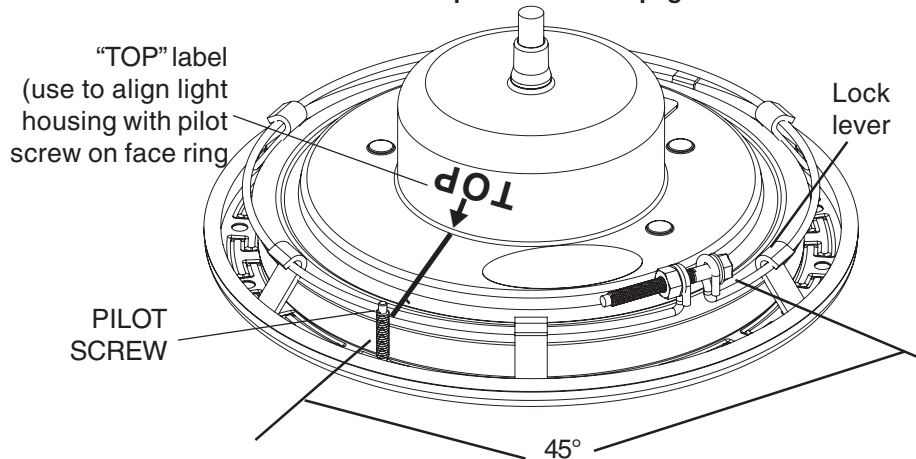


15. **Install NEW GASKET ONTO LENS (see illustration on next page):** Stretch the gasket around the circumference of the lens. Be sure the gasket is installed evenly around the lens.
16. **ALIGN LENS/GASKET ONTO LIGHT HOUSING:**
 - a) With the light housing resting on its base, place the lens/gasket on top of the light housing.
 - b) Rotate the lens/gasket to align the letter “W” (“WIDE” angle) on the lens with the brass nut in the housing (see diagram on page 13 for brass nut location).

Note: The IntelliBrite light lens ships from the factory in the ‘WIDE’ (W) angle position. To use the “NARROW” angle light beam, rotate the lens/gasket to align the letter “N” on lens. Note: For more information about using the “WIDE” and NARROW angle lens, see page 14.
17. **INSTALL FACE RING:** Place the face ring on top of the lens/gasket/housing. Rotate the face ring so the *pilot screw hole* is aligned in the 12 O’clock position, with the lens letter “W” (or “N”) and the brass nut in the housing. Also, verify the “TOP” position arrow indicator label (see page 14) on the rear of the housing is aligned with the pilot screw on the face ring.



18. **INSTALL UNI-TENSION CLAMP:** With the hook ends of the circular uni-tension clamp pointing down, spread the clamp and place it in the “U” recesses of the locking levers. Be sure the hook ends of the clamp are located between the pair of locking levers as shown below and that the wire clamp is properly engaged with all of the lock levers.
19. Place a cloth on the ground to protect the lens. Turn the light over so the lens is resting on the cloth. Be sure the orientation of the wire clamp and the bolt connection is positioned at 45°.
20. Tighten the bolt and nut until the distance between the ends of the clamp equals ¼-inch or less. **Continue with Step 20 on the next page.**



Position the wire clamp (nut and bolt) about 45° between the PILOT SCREW and LOCK LEVER.

19. Coil at least four (4) feet of cord around the light fixture (see Figure 1 on page 7). This allows the light to be serviced after the pool is filled with water.

20. Install the special bronze pilot screw at the top of face ring to secure the light to the niche.

Pilot screw (brass)

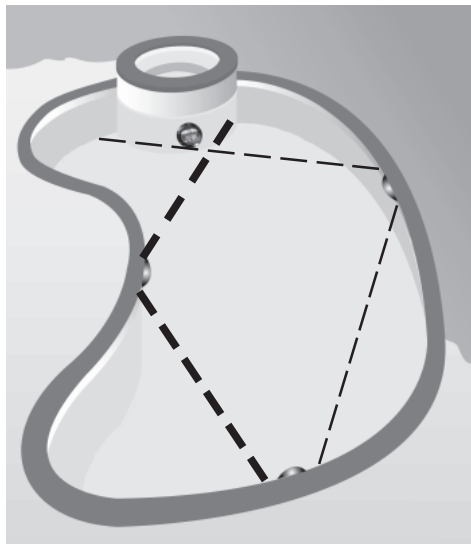
21. **Final check for proper IntelliBrite light operation:** Switch on the main switch or circuit breaker to the system and the switch that operates the IntelliBrite underwater light itself. The light should illuminate when power is applied. If not recheck the installation steps starting with Step 1 (page 9).



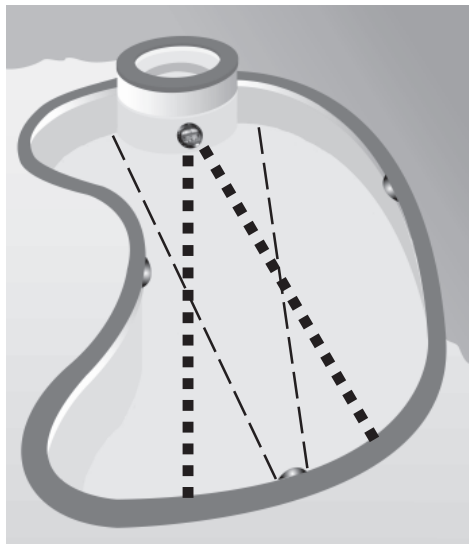
Wide and Narrow Angle Lens Adjustment

Unique Wide and Narrow Angle Lens Feature

The unique IntelliBrite light lens geometry provides a choice of “wide” or “narrow” angle light beam to suit various size pools. For lights located on either side of the pool, rotate the lens to the ‘wide’ (W) angle position, which will provide a wider angle light beam for greater underwater coverage and light reflection the width of the pool. For lights located either end of the pool, rotate the lens to the ‘narrow’ (N) angle light beam position for increased underwater light intensity and distance. Note: The IntelliBrite light lens ships from the factory in the ‘WIDE’ (W) angle position.

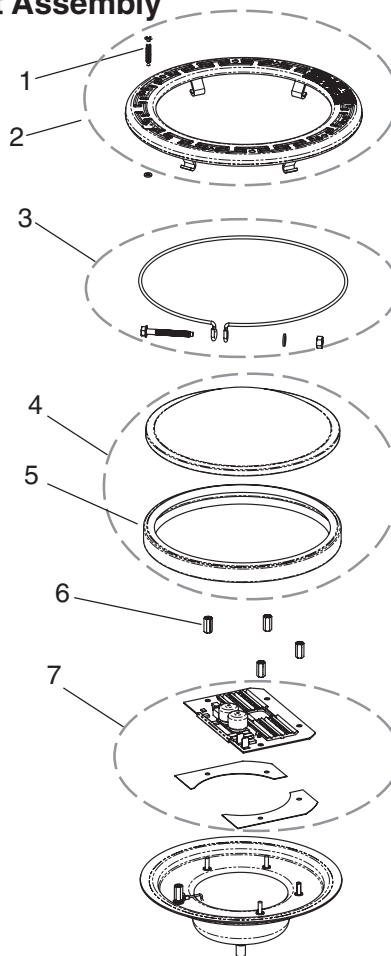


**WIDE ANGLE LIGHT BEAM
(FOR SIDES OF POOL)**



**NARROW ANGLE LIGHT BEAM
(FOR ENDS OF POOL)**

IntelliBrite White LED Pool Light Assembly Replacement Kit Part Numbers



Note: A 120 VAC to 12 VAC external transformer is required for the 12 VAC model IntelliBrite pool white light. See page 2 for more information.

Item No.	Kit Part No.	Description
2, 3, 5	600095	Face Ring assembly, stainless steel. - Uni-tension wire clamp assembly. - Gasket, 8-3/8 in. diameter, off white.
4, 5	619864Z	Replacement Lens Kit. - Gasket, 8-3/8 in. diameter, off white. - Lens, IntelliBrite, Pool, 8-3/8 in. diameter, tempered.
3, 5, 7	619875Z (300W), 619916Z (400W), 619917Z (500W)	Replacement kit includes: Circuit Board, Thermal Strips (2x), White Pool Light Assy.) - Uni-tension wire clamp assembly. - Gasket, 8-3/8 in. diameter, off white.
1	79104800	Pilot screw, with captive gum washer.
5	79101600	Gasket, 8-3/8 in. diameter, off white.

Note: The 120 VAC IntelliBrite pool white light has an integrated 12 VAC transformer.

**IntelliBrite White LED Pool Light Assembly
Replacement Kit Part Numbers (continued)**

Product	Voltage	Cord Length (feet)	Incandescent Equivalency
601100	120V	30'	300W
601101	120V	50'	300W
601102	120V	100'	300W
601103	120V	150'	300W
601104	120V	250'	300W
601105	12V	30'	300W
601106	12V	50'	300W
601107	12V	100'	300W
601108	12V	150'	300W
601200	120V	30'	400W
601101	120V	50'	400W
601102	120V	100'	400W
601103	120V	150'	400W
601104	120V	250'	400W
601105	12V	30'	400W
601106	12V	50'	400W
601107	12V	100'	400W
601108	12V	150'	400W
601300	120V	30'	500W
601101	120V	50'	500W
601102	120V	100'	500W
601103	120V	150'	500W
601104	120V	250'	500W
601105	12V	30'	500W
601106	12V	50'	500W
601107	12V	100'	500W
601108	12V	150'	500W

Notes



P/N 619921 Rev A