

Job: _____

Engineer: _____

Contractor: _____

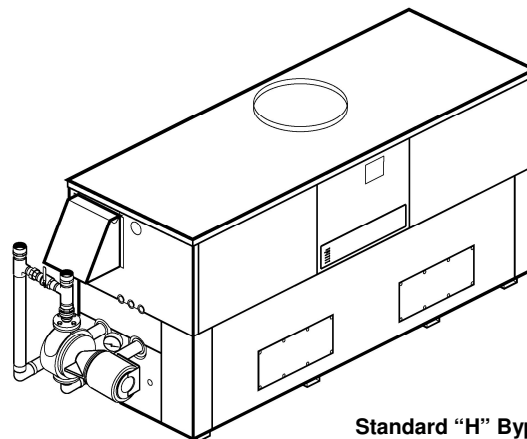
Prepared By: _____ Date: _____

Model: _____ Indoor/Outdoor: _____ MBTUH Input: _____

Hi Delta® - Type P

Commercial Pool Heaters Models 992C-2342C

- ♦ 100% Factory Fire Tested
- ♦ Thermal Efficiency: 85%
- ♦ Versa IC® Controller with LCD Display
- ♦ Maximum Setpoint: 106°F (104°F Default)
- ♦ Maximum Outlet Temperature: 160°F
- ♦ Minimum Non-Condensing Inlet Temperature: 105°F
- ♦ Thermal Shock Proof Heat Exchanger
- ♦ Limited Twenty-Year Thermal Shock Warranty
- ♦ Limited Five-Year Heat Exchanger Warranty
- ♦ Full Safety Diagnostics with Fault History
- ♦ PolyTuf Powder Coated Cabinet
- ♦ No Combustible Floor Shield Required
- ♦ Fan-Assisted
- ♦ Patented Burner Security Blanket
- ♦ Ultra-Low NOx – SCAQMD 1146.2 Certified (992C – 2002C)
- ♦ Cascade Up To 4 Heaters – No External Sequencer Needed



Standard "H" Bypass Shown



Proudly Assembled in the USA

Heat Exchanger

- Brass Headers
- ASME Inspected and HLW Stamped
160 PSIG Working Pressure
- National Board Approved
- Cupro-Nickel Finned Tubing
- ASME Steel Tube Sheet
- Silicone High-Temp O-Rings
- 125 PSIG ASME Pressure Relief Valve
- Temperature and Pressure Gauge
- Water Connections
 - Left – Standard
 - A-6 – Right
- Bronze Pump, 1/2 HP, 120V, 60Hz
- Non-ferrous Pool Bypass Assembly

Controls

- 120V, 60Hz, 1Ø Power Supply
- 120/24V 60Hz Transformer
- Versa IC® Integrated Control
- Cascade up to 4 Heaters
- 100% Shut-Off/Lockout
- Hot Surface Ignition
- Ignition Module
 - 3-Try – Standard
 - C-6 Single Try
- Remote Flame Sensor
- Fixed High Limit, Manual Reset 180°F
- On/Off Power Switch
- Flow Switch
- Blocked Vent Pressure Switch
- Combustion Air Proving Switch
- Programmable Pump Time Delays
 - Heater
 - System
- Enable/Disable
- LCD Display; Status, Fault and Diagnostics

- Modbus RTU BMS Port (Up to 115K Baud Rate, See Cat. 5000.73)
 - B-85 – BMS Gateway – BACnet MS/TP, BACnet IP, N2 Metasys or Modbus TCP
 - B-86 – BMS Gateway – LonWorks
 - Cold Water Protection Function
 - CWR Variable-Speed Pump
 - Default H-Bypass
- ### Gas Train
- Combination Valves
 - On/Off Firing
 - Fuel
 - Natural Gas
 - Propane Gas (HD-5) (Excludes 2002C)
 - 4" WC Nat. Supply Pressure
 - Design Certified ANSI Z21.56/CSA 4.7

Burner

- Ultra-low NOx:
Less than 20 PPM

Construction

- Indoor/Outdoor Construction
- Enclosed Front Controls
- PolyTuf Powder Coat Finish
- CSA Low Lead Certified ≤ .25% Lead

Venting

- Vent Location
 - Top – Standard
 - D – 14 Rear
- Vent Termination Cap
 - D – 11 Outdoor
 - D – 15 Indoor
 - Indoor, Vertical (by others)
- Combustion Air
 - D – 17 In-Line Filter Kit (TruSeal only)
 - D – 16 Air Intake Elbow
- Extractor - Optional
 - By Others
 - Not Required

Options

- C-6 Ignition Module, Manual Reset
- D-21 TruSeal® Direct Vent
 - Left Side - Standard
 - Right Side - Optional
- F-10 Low Water Cut-Off, Remote Probe
- S-1 Low Gas Pressure Switch, Manual Reset
- S-2 High Gas Pressure Switch, Manual Reset
- X-1 SureRack® Kit (Lower Unit Requires Manifold Modification)
- X-2 SureRack Add-On (Lower Unit Requires Manifold Modification)

Additional Options or Accessories

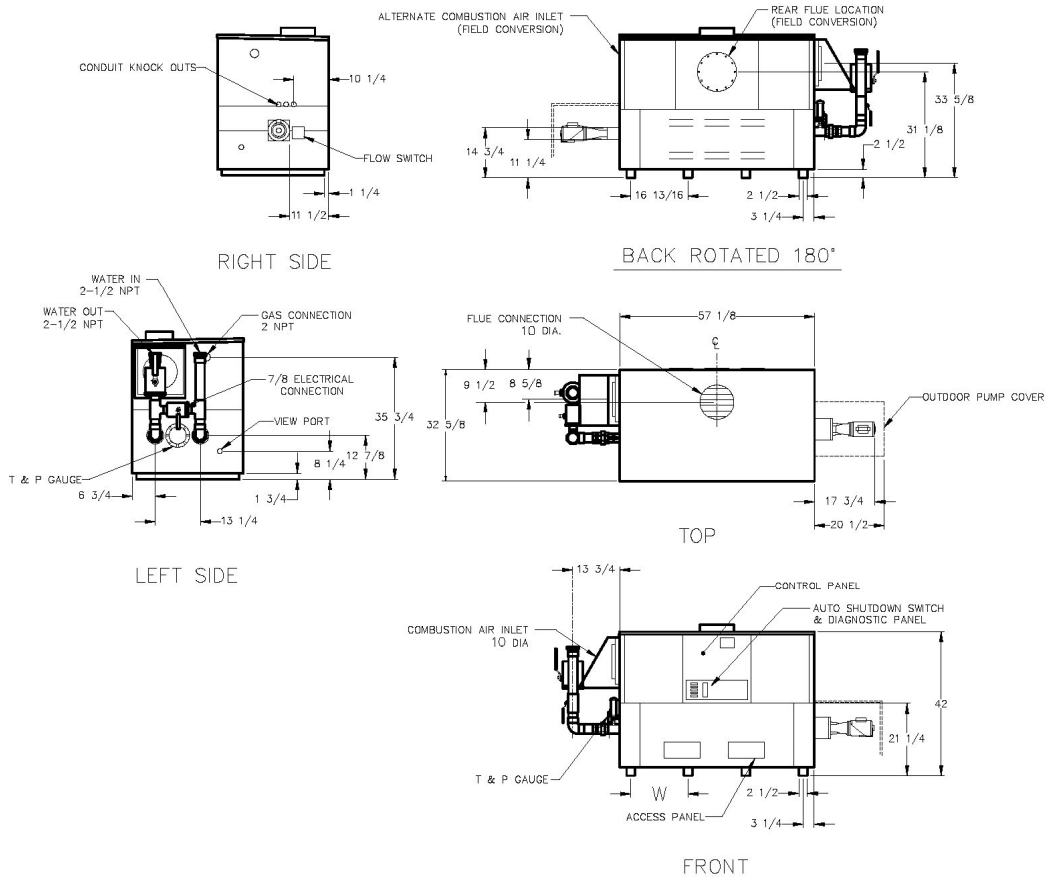


Raypak
A Rheem Company

Hi Delta – Type P

Models 992C-1262C (H-Bypass Option)

Model _____



Model	Max. Flow		
	GPM	ΔP (ft.)	ΔT
☐ P 992C	132	14.0	13
☐ P 1262C	132	15.5	16

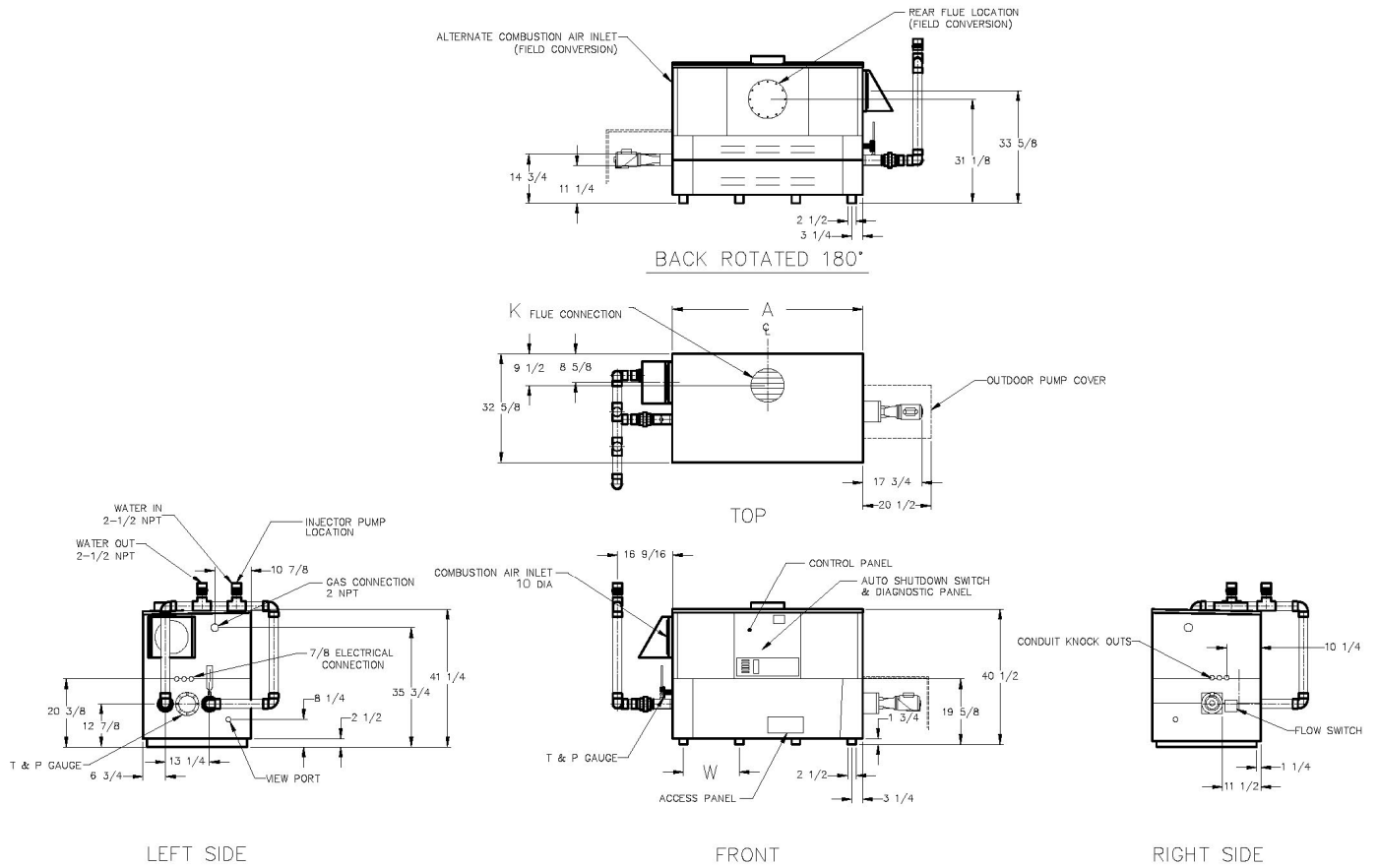
Model	Input	Output	A Width	K	W	Amp. Draw (W/ Pump)	Pump Hp.	Shipping Weight (Lbs.)
☐ P 992C	990	842	57-1/8	10	16-13/16	<16	1/2	1000
☐ P 1262C	1260	1071	68-1/2	12	20-9/16	<16	1/2	1055

Dimensions are in inches.
 Ratings shown are for elevations up to 4,500 feet and for natural or propane gas.
 For installations at elevations over 4,500 feet, please contact manufacturer

Hi Delta – Type P

Models 992B-1262B (Cold Water Run Option)

Model _____



RATE OF FLOW AND PRESSURE DROP

Model	Max. Flow		
	GPM	ΔP (ft.)	ΔT
☐ P 992C	132	14.0	13
☐ P 1262C	132	15.5	16

Model	MBTUH		A Width	K	W	Amp. Draw (w/ Pump)	Pump Hp.	Injector Pump Hp.	Shipping Weight (Lbs.)
	Input	Output							
☐ P 992C	990	842	57-1/8	10	16-13/16	<16	1/2	1/3*	1000
☐ P 1262C	1260	1071	68-1/2	12	20-9/16	<16	1/2	1/3*	1055

Dimensions are in inches.

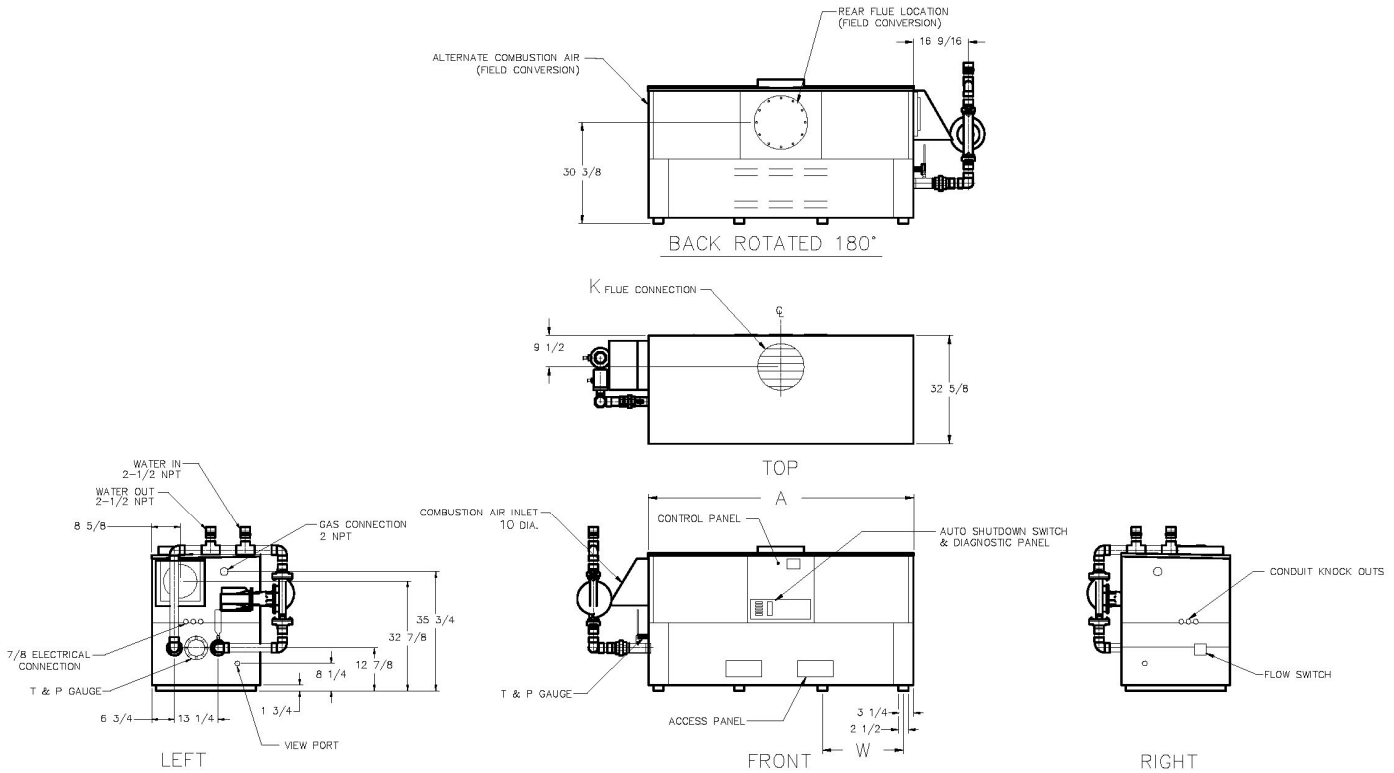
Ratings shown are for elevations up to 4,500 feet and for natural or propane gas. For installations at elevations over 4,500 feet, please contact manufacturer

*Separate 120 VAC or 240 VAC 1Ø power required for Cold Water Run Option. Injector shipped loose for field installation at bypass inlet.

Hi Delta – Type P

Models 1532C-2342C (H-Bypass Option)

Model _____



Model	Max. Flow		
	GPM	ΔP (ft.)	ΔT
<input type="checkbox"/> P 1532C	132	16.5	20
<input type="checkbox"/> P 1802C	132	18.3	23
<input type="checkbox"/> P 2002C	132	19.0	26
<input type="checkbox"/> P 2072C	132	19.0	27
<input type="checkbox"/> P 2342C	132	21.4	30

Model	MBTUH		A Width	K	W	Amp. Draw		Pump Hp.	Shipping Weight (Lbs.)
	Input	Output				Heater	Pump		
<input type="checkbox"/> P 1532C	1530	1301	79-7/8	12	24-3/8	<12	11	3/4	1225
<input type="checkbox"/> P 1802C	1800	1530	91-1/8	14	28-1/8	<12	11	3/4	1350
<input type="checkbox"/> P 2002C	1999	1699	102-1/2	14	31-15/16	<12	14**	1	1450
<input type="checkbox"/> P 2072C	2070	1760	102-1/2	14	31-15/16	<12	14**	1	1450
<input type="checkbox"/> P 2342C	2070	1989	113-7/8	16	35-11/16	<12	21**	1-1/2	1520

*Separate 120 VAC or 240 VAC 1Ø power required for Cold Water Run option

** Requires separate circuit breaker

Raypak, Inc. ▪ 2151 Eastman Avenue, Oxnard, CA 93030 ▪ (805) 278-5300 ▪ Fax (800) 872-9725 ▪ www.raypak.com