

Figure 4 – Residential



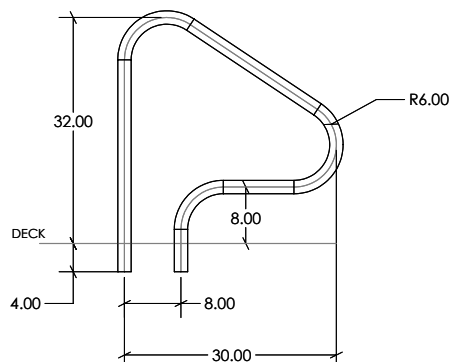
- Tubing: 1.90" OD
 - Wall Thickness: .049", .065"
 - Stainless Steel: 304 or 316L Marine Grade* (add -MG to part number)
 - Bends: 6" Radius
 - Options: Powder-coating and SealedSteel Salt Friendly available
 - Recommended Anchors: AS-100B-SS
 - Recommended Escutcheons: EP-100F (order separately)
 - Sold as pairs, unless otherwise noted
- * Minimum requirement for salt pools is 316L Marine Grade

Figure 4 (1.90" OD)

Model No.	Description	Shipping			
		Weight	Length	Width	Height
F4H-100	30" Figure 4, .065" wall, pair	24 lbs 11kg	39" 99cm	32" 81cm	4" 10cm
F4H-101	30" Figure 4, .049" wall, pair	19 lbs 9kg	39" 99cm	32" 81cm	4" 10cm
F4H-102	26" Figure 4, .049" wall, pair	18 lbs 8kg	39" 99cm	32" 81cm	4" 10cm
F4H-102S	26" Figure 4, .049" wall, single	12 lbs 5kg	39" 99cm	32" 81cm	4" 10cm

30-inch Setback

F4H-100 & F4H-101



26-inch Setback

F4H-102

