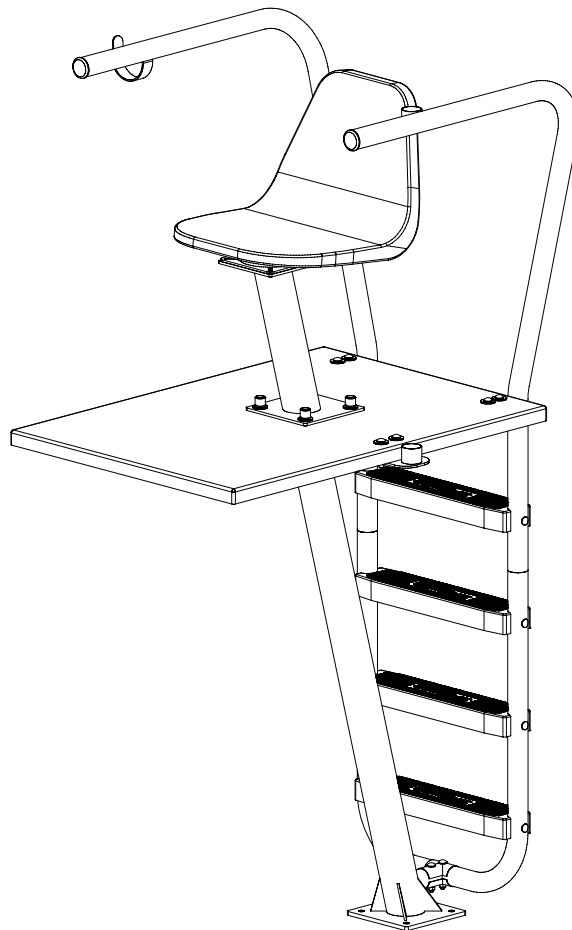


S.R. Smith
COMMERCIAL

OUTLOOK I™ LIFEGUARD CHAIR

ASSEMBLY AND INSTALLATION INSTRUCTIONS



**CORPORATE HEADQUARTERS
WESTERN SALES AND MANUFACTURING PLANT
P.O. Box 400 • 1017 SW Berg Parkway
Canby, Oregon 97013
(503) 266-2231 • Fax (503) 266-4334
www.srsmith.com**

INTRODUCTION

The Outlook I™ Lifeguard Chair is designed for use on competitive or municipal pools. It provides a safe, unique look with a minimal amount of deck space. Proper and complete assembly, use, and maintenance are essential for proper operation and to reduce the risk of accident or injury.

****IMPORTANT****

Check entire box and inside all packing materials for parts. Before beginning assembly, read the instructions and identify parts using the figures and parts listed in this document. It is critical that all parts be carefully inspected by the installer prior to installation to ensure that no damage occurred in transit and that a damaged part is not used. Proper installation cannot be overstressed, as an improper installation voids S.R. Smith's warranty and may affect the safety of the user.

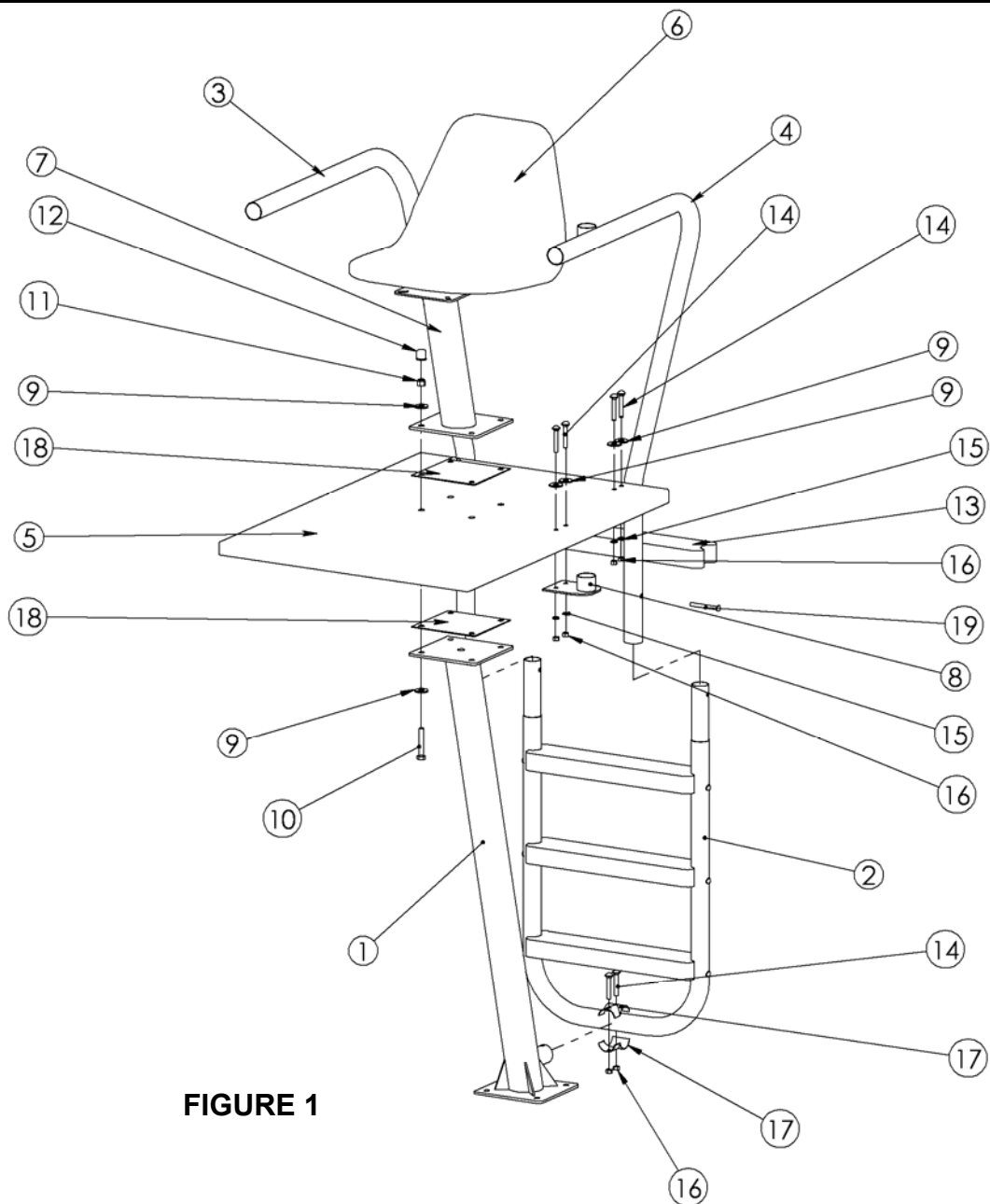


FIGURE 1

OUTLOOK I PARTS LIST

ITEM NO.	QTY.	PART NO.	DESCRIPTION
1	1	13-122	MAIN PEDESTAL OUTLOOK I
2	1	STEP ASSEMBLY	LOWER STEP ASSEMBLY OUTLOOK I
3	1	20-129	RT SIDE RAIL ASSEMBLY OUTLOOK I
4	1	20-128	LT SIDE RAIL ASSEMBLY OUTLOOK I
5	1	8-613	FOOTBOARD 30 X 42 OUTLOOK I
6	1	13-111	LIFEGUARD SEAT W/ SWIVAL
7	1	13-118	SWIVAL SEAT PEDESTAL 3" S.S.
8	1	20-116	UMBRELLA HOLDER ASSEMBLY
9	14	05-14-114	1/2" S/S FLAT WASHER
10	4	5-124	1/2" X 3" HEX HEAD BOLT S/S
11	4	05-14-116	1/2" HEX NUT S/S
12	4	05-618	1/2" PLASTIC NUT CAP
13	4	LTDF-106	20" HEAVY DUTY PLASTIC TREAD
14	8	2020049	3/8" x 2-1/2" CARRIAGE BOLT S.S.
15	6	5-151	3/8" LOCK WASHER S/S
16	10	5-139	3/8" HEX NUT S/S
17	2	2019060	SPLIT TEE HALF, S.S.
18	2	8-510	GASKET 7-1/2 X 7-1/2
19	2	5-167	3/8" x 3-1/4" GUSSET HEAD BOLT S.S.
20	2	5-145	3/8" FLAT WASHER S/S

ASSEMBLY INSTRUCTIONS

1. Begin by locating the main pedestal assembly as shown in **FIGURE 1**. Attach the main pedestal to the previously installed cage anchor using the (4) $\frac{1}{2}$ " hex head bolts and the four (4) $\frac{1}{2}$ " flat washers supplied with the anchor. **NOTE:** Do not tighten any hardware until final step.
2. Attach the footboard and the seat pedestal assembly to the main pedestal using (4 ea.) $\frac{1}{2}$ "x3" hex head bolt, $\frac{1}{2}$ " flat washer, $\frac{1}{2}$ " hex nut, and $\frac{1}{2}$ " plastic nut cap as shown in **FIGURE 2**. A rubber gasket is placed both above and below the footboard, in-between the stainless steel plates and the footboard.
3. Attach the lower step assembly to the main pedestal using (2ea.) split tees half, $\frac{3}{8}$ "x2- $\frac{1}{2}$ " carriage bolt and $\frac{3}{8}$ " hex nut. See **FIGURE 3**

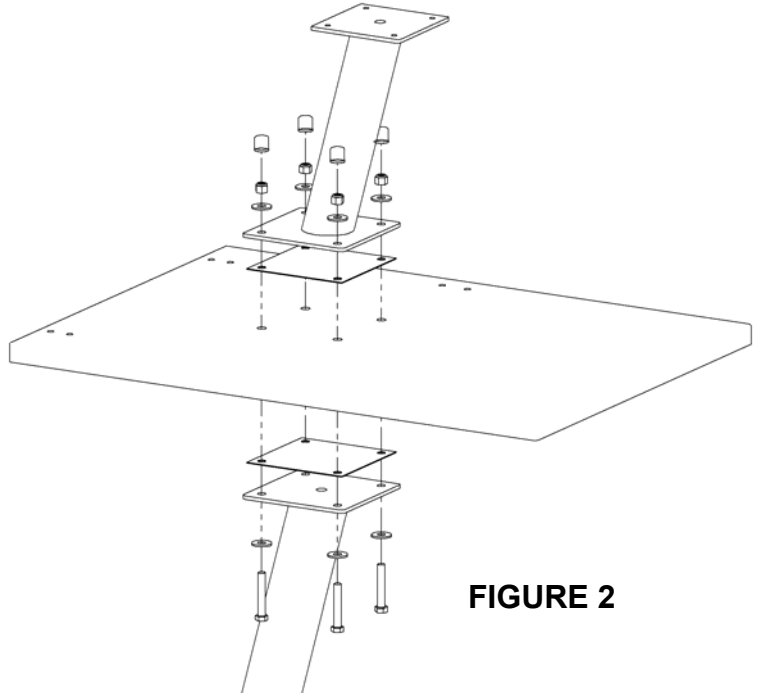


FIGURE 2

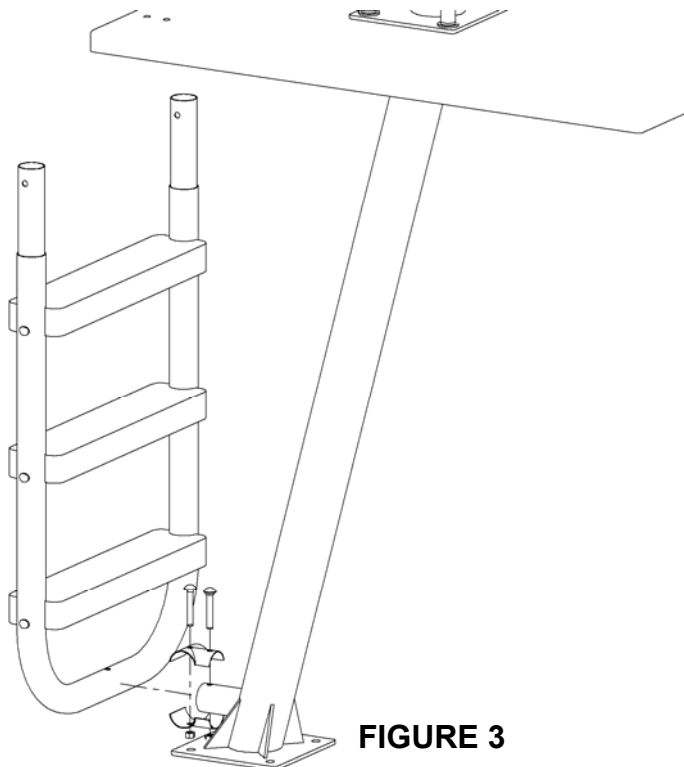


FIGURE 3

4. Attach the left and right side rails to the lower step assembly using (1) 20" white step, (2) $\frac{3}{8}$ "x3- $\frac{1}{4}$ " Gusset head bolts, (2) $\frac{3}{8}$ " flat washers, and (2) $\frac{3}{8}$ " hex nuts. **FIGURE 4**
5. Attach both side rails to the footboard using (2 ea.) $\frac{3}{8}$ "x2- $\frac{1}{2}$ " carriage bolt, $\frac{1}{2}$ " flat washer, $\frac{3}{8}$ " lock washer, and $\frac{3}{8}$ " hex nut. **FIGURE 5**
6. Attach the seat/swivel assembly to the top of the seat pedestal using the supplied hardware within the seat packaging.

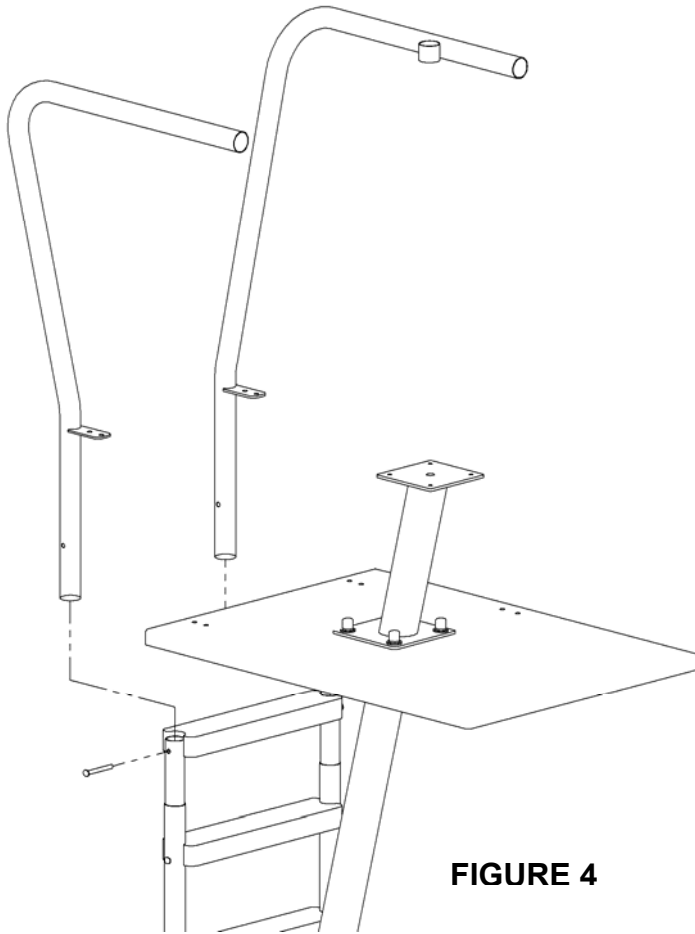


FIGURE 4

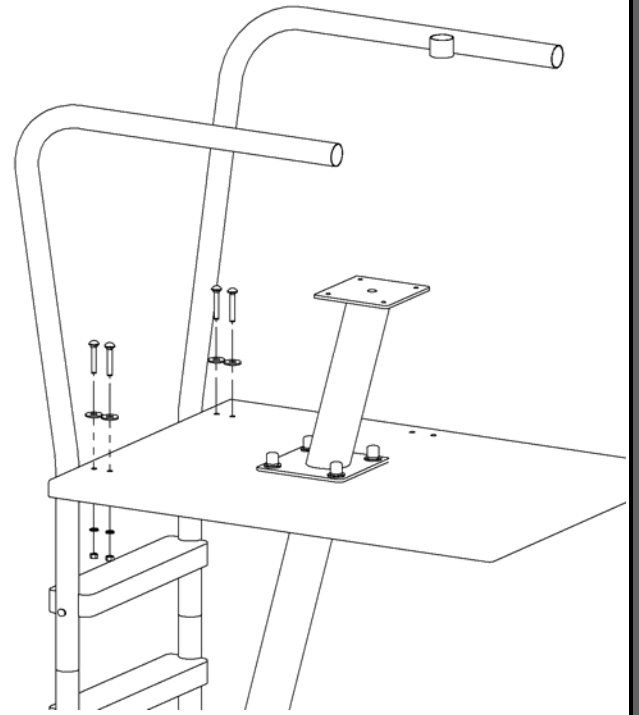


FIGURE 5

7. Attach the umbrella holder using (2 ea.) 3/8"x2-1/2" carriage bolt, 1/2" flat washer, 3/8" lock washer, and 3/8" hex nut.

FIGURE 6

8. Check to assure all steps have been completed and fully tighten all hardware.
9. The Outlook I™ Guard Chair unit is to be anchored to the deck using one Outlook cage anchor assembly. Install the anchor in the pool deck 38" back from the pool's edge to the center of the cage anchor. Properly ground the anchor sockets using the attached grounding screw and appropriate grounding wire per local codes. Allow concrete to cure before installing the Outlook™ Lifeguard Chair unit.

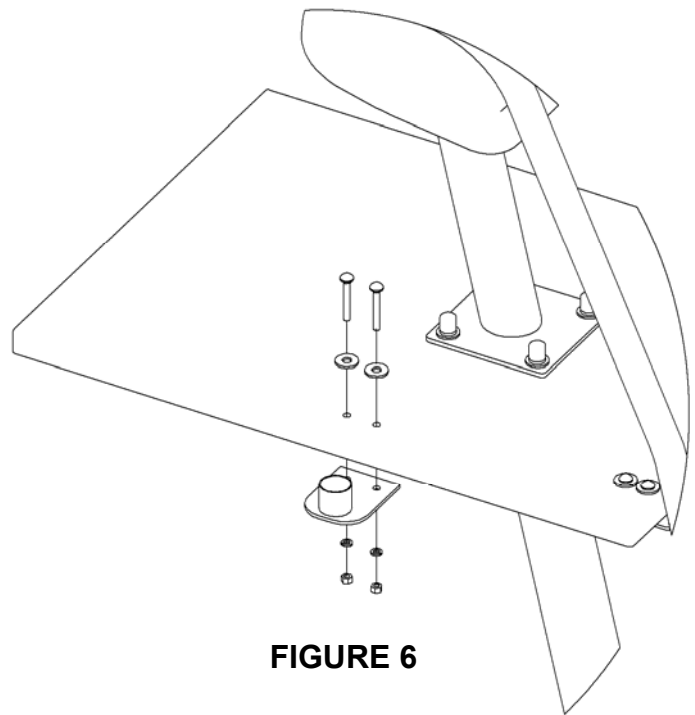


FIGURE 6

SAFETY & MAINTENANCE INSTRUCTIONS

- Do not dive or jump from any part of this guard chair.
- Periodically inspect the Outlook to assure there are no worn parts and that all hardware is properly tightened.
- All stainless steel parts require periodic maintenance. Polishing with a cotton cloth and a Windex-type product maintains the finish and restores luster.
- Use non-abrasive soap and water. Avoid harsh chemicals and disinfectants. Always read the label instructions on any cleaner carefully before applying it to a surface.