

SRSmith™

POOL LIGHTING

pool LIGHTING



pool lighting



Photo by Michael Caruana

CREATE ATMOSPHERE

S.R.Smith Lighting allows you to transform your pool deck into a relaxing retreat or party central with LED lighting. The Treo Series, which includes models ideal for fiberglass, gunite and vinyl liner pools, provides white and color options. These low voltage lights are ideal for retrofit applications or new installations. Used in conjunction with our control systems, you can customize the look of your pool to fit your mood.

WHY LED?

LED lighting is superior to traditional pool lighting. LEDs are not only more energy efficient, they also provide a higher amount of visible light and generate less heat than traditional incandescent lighting. To use modern lighting terminology, LED lights require fewer watts (power) to provide a higher lumen output (light). LED pool lighting save pool owners money and enables them to customize the pool lighting to enhance their pool deck environment. This ability elevates the pool to a central design element of today's popular outdoor living spaces, a trend that has expanded even in areas with extreme seasonality.

NEW TECHNOLOGY = NEW TERMINOLOGY			
OLD LIGHTING TERM		NEW LIGHTING TERM	
Watt	Power measurement; commonly associated with light brightness	Lumen	Visible light emitted by source
Incandescent bulb	Electrical circuit that has a metal wire, usually made from Tungsten, enclosed in an Argon filled air-tight glass enclosure, in which an electrical current goes through	LED	Light Emitting Diode
Bulb	Air-tight enclosure used in lighting	Luminaire	A device that produces light

TREO LED LIGHT SERIES

The Treo LED Series includes models for fiberglass, gunite and vinyl liner pools. Treo lights are available in white or color light options. Low voltage and high lumen output make these lights ideal for retrofit applications or new installations.

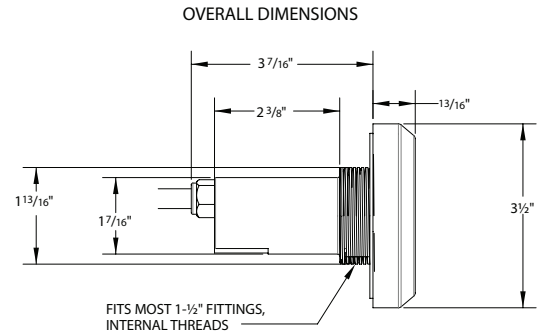
Treo LED

Application: Pool & Spa Lights, Even Glow Lighting

Applications Examples: Basic Pools, Free Form Pools, Even-Glow Pools

Features:

- 12 VAC, 5 watt
- Short neck length for easier installation
- Color changing or white light
- 50,000 hour lifespan
- Self-color synchronizing with other S.R.Smith lighting products
- Memory function
- 30', 50', 80', and 150' cord lengths
- No bonding required
- 4 colored trim rings (white, black, beige, and gray) included



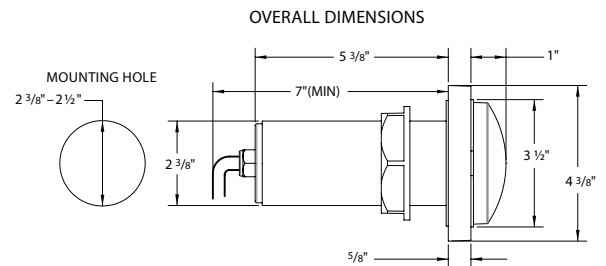
Fiberglass Treo LED

Application: LED Pool lights for Fiberglass Pools

Application Example: Fiberglass Pools

Features:

- 12 VAC, 5 watt
- Specifically designed for fiber glass pools
- Color changing or white light
- 50,000 hour lifespan
- Self-color synchronizing with other S.R.Smith lighting products
- Memory function
- 30', 50', 80', and 150' cord lengths
- No bonding required



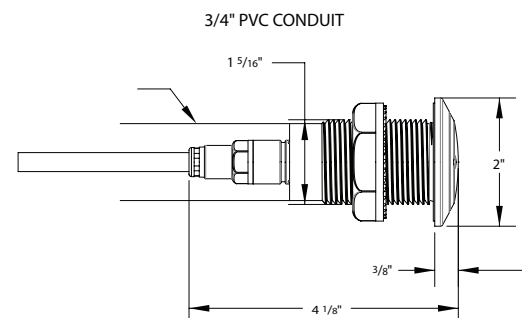
Treo Micro LED

Application: Accent Lighting, All shallow water & hard to light areas

Application Examples: Steps, Tanning Decks, Beach Entry,

Features:

- 12 VAC, 2 watt
- Ideal for small, difficult to light spaces and water features
- Color changing or white light
- 50,000 hour lifespan
- Self-color synchronizing with other S.R.Smith lighting products
- Memory function
- 30', 50', 80', and 150' cord lengths
- No bonding required
- 4 colored trim rings (white, black, beige, and gray) included



TX-30 LED POOL LIGHTING KIT

The TX-30 LED Pool Lighting Kit is a complete lighting system that includes a power center and one, two, or three color Treo LED pool lights. Select from six colors (white, blue, green, red, amber, and magenta) or two color changing modes (slow color change mode and party mode). The TX-30 has a manual on/off switch, fast blow fuse, and can easily be installed.

TX-30 Kit:

- Corrosion-resistant polycarbonate enclosure rated NEMA 3R
- Integrated fuse for surge protection during installation
- Low voltage internal transformer: 120VAC to 12VAC
- Maximum 30 watt system



Treo LED Pool Lights:

- Color (RGB) light with 80' cord length
- Memory function automatically remembers the last color setting when turned off
- Self-color synchronizing with other S.R.Smith LED pool lights and products

	CIRCUITS	TRANSFORMERS	# LED PRODUCTS	REMOTE	PUMP RELAY
TX-30 LED POOL LIGHTING KIT	1	1	5	N	N
WIR-TRAN	1	1	5	Y	N
PT-6000	2	2	10	Y	N
WPC1-XXXX-T	2	1	5	Y	Y
WPC2-XXXX-T*	2	1	5	Y	Y

*Includes Sub-Panel

LIGHTING CONTROL SYSTEMS

S.R.Smith lighting control options provide reliable functionality and simplicity for installers and pool owners. The upgraded 915 MHz WPC and WIR-TRAN systems provide superior performance over distance and improved resistance to interference from other RF devices. The PT-6000 is the ideal solution to upgrade existing fiber optic light systems to LED. With our range of installer friendly features and simple, easy to use hand held remotes, we've got the right solution for your next installation.



PT-6000



WIR-TRAN



WPC-1



WPC-2

To ensure you have the most current version of this publication, please visit our website.



S.R.Smith, LLC
P.O. Box 400, 1017 SW Berg Parkway
Canby, Oregon 97013

P 503.266.2231 TF 800.824.4387 F 503.266.4334
www.srsmith.com