

Dade County Ladder



- Tubing: 1.90" OD
- Wall Thickness: .049"
- Stainless Steel: 304 or 316L Marine Grade* (add -MG to part number)
- Treads: LTDF-I01 Plastic (Econoline) or LTDF-I03 Stainless Steel (Elite)
- Bends: 4" Radius
- Options: Powder-coating and SealedSteel Salt Friendly available
- Recommended anchors: AS-I00B (order separately)
- Recommended escutcheon: EP-I00F (order separately)

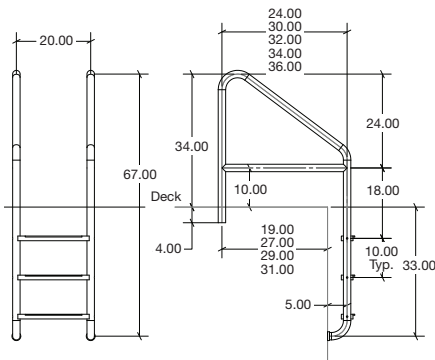
* Minimum requirement for salt pools is 316L Marine Grade

Econoline	Shipping Weight	Elite	Shipping Weight	Description	Shipping		
					Length	Width	Height
50-792E-24	32 lbs	50-792S-24	34 lbs	24" 3-Step Rollout with Crossbrace	78"	42"	2"
50-792E-30	34 lbs	50-792S-30	36 lbs	30" 3-Step Rollout with Crossbrace	78"	42"	2"
50-792E-32	36 lbs	50-792S-32	38 lbs	32" 3-Step Rollout with Crossbrace	78"	42"	2"
50-792E-34	38 lbs	50-792S-34	40 lbs	34" 3-Step Rollout with Crossbrace	78"	42"	2"
50-792E-36	40 lbs	50-792S-36	42 lbs	36" 3-Step Rollout with Crossbrace	78"	42"	2"
50-795E	35 lbs	50-795S	37 lbs	22" 3-Step with crossbrace	71"	29"	2"

Notes:

- Frames extend 4½" from the pool wall. Frame is secured to the pool deck with two anchor sockets on **20" centers (Elite model) or 19" centers (Econoline model)**. The lower end of the frame is bent to meet the pool wall and fitted with two white rubber bumpers (WRB-I00A).

50-792



50-795

