

Low Profile



- Available in 30", 42", or 54" seat heights
- Portable unit features two wheels for the flexibility to move your lifeguard stations as needed
- Seat swivels 360° for a full view of the facility
- Footboard features a non-slip, white, sanded tread
- Handrails and seat post are 304 stainless steel
- Stainless steel base for added corrosion resistance

Tread Color



RADIANT WHITE

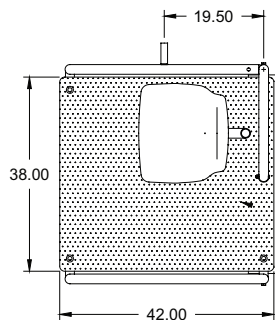
Custom colors available

Model No.	Description	Shipping (3 boxes) - Class 125			
		Weight	Length	Width	Height
LPLS-330	30" Low Profile	150 lbs	26"/66cm	20"/51cm	11"/28cm
		68kg	25"/64cm	20"/51cm	9"/23cm
			60"/152cm	79"/201cm	8"/20cm
LPLS-342	42" Low Profile	155 lbs	26"/66cm	20"/51cm	11"/28cm
		70kg	25"/64cm	20"/51cm	9"/23cm
			60"/152cm	79"/201cm	8"/20cm
LPLS-354	54" Low Profile	160 lbs	26"/66cm	20"/51cm	11"/28cm
		72kg	25"/64cm	20"/51cm	9"/23cm
			60"/152cm	79"/201cm	8"/20cm

Notes:

- Ships from both Tennessee and Oregon facilities
- Rescue tube not included

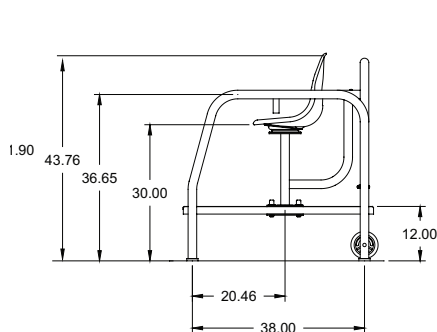
Top View, all models



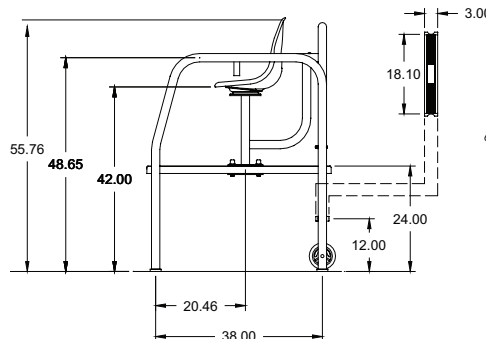
Replacement Parts

- 8-710 Footboard (38" x 42")
- 13-109 Seat Post + Umbrella Holder
- 13-111 Seat + Swivel
- 8-609 Seat Only
- A40703-0 Swivel Only
- LTDF-103 I Ladder Tread
- 8-862 Wheel
- 13-139 Hardware Pack (For 30" Chair)
- 13-140 Hardware Pack (For 42" Chair)
- 13-145 Hardware Pack (For 54" Chair)

30" Low Profile



42" Low Profile



54" Low Profile

