

**WARNING:** Any repairs requiring disassembly must be performed by a Water Tech Authorized Service Center. For the repair center nearest you call us toll free at 1-800-298-8800.

-  Do not use if unit or charger is damaged in any way.
-  Use this product only for its intended use as described in this manual. Use only Water Tech accessories and filters.
-  Never leave your cleaner plugged in for long term storage (maximum 24 hrs.).
-  NEVER LEAVE YOUR cleaner IN WATER WHEN IT IS "OFF" OR HAS RUN OUT OF POWER.
-  Do not use your cleaner for pool openings; the cleaner is designed for general maintenance of your pool or spa.
-  The cleaner is designed for underwater use only. Do not attempt to use your cleaner to clean anything other than your pool or spa. It is not intended for use as an all-purpose vacuum cleaner.
-  Close supervision is necessary when used near children. Do not allow this vacuum cleaner to be used as a toy.
-  This vacuum creates suction. Keep hair, loose clothing, fingers, and all parts of body away from openings and moving parts.
-  Unit must be submerged in 10 inches of water to operate properly.
-  When not in use, store the cleaner indoors, in a clean, dry place. Do not leave underwater, in direct sunlight, or exposed to extreme temperatures.
-  You can operate the cleaner without its vacuum head attachment, but when using the attachment, make sure that either the supplied wheels or brushes are inserted in place.
-  Do not use without filter bag/beat ring and nose cap in place. Always replace a damaged filter bag/beat ring immediately.
-  Avoid picking up hard, sharp objects with the vacuum. They may damage the vacuum and the filter bag.
-  Do not use to pick up toxic substances, flammable or combustible liquids such as gasoline, or operate in the presence of explosive or flammable fumes.
-  Never insert or drop any object into any opening on the device. Keep all openings free of leaves, rocks, or anything that may reduce water flow.
-  Do not use on or near hot surfaces.
-  Make sure the cleaner is unplugged from the charger and in the "off" position before cleaning, filter change or any other routine maintenance.
-  While cleaner is charging, do not handle with wet hands or without shoes.
-  Only use the charger supplied to recharge this vacuum. Do not use the supplied charger with any other appliance.
-  To protect against risk of electrical shock, do not put charger in water or other liquid.
-  Do not expose charger to excessive moisture or extreme heat or cold. Charge battery only with the battery charger provided.
-  To avoid damage to the charger and cord, never carry the charger by the cord or yank to disconnect from an outlet. Instead, firmly grasp the charger body and pull to disconnect. Do not pull cord around sharp edges or corners.
-  Do not allow the cord to hang over the edge of a table or counter or touch hot surfaces.
-  Do not use or store charger outdoors. Charge your cleaner indoors in a clean, dry place. Do not expose charger to rain, or extreme temperatures.
-  For best results, operate the charger in a location where the temperature is more than 50 degrees F but less than 100 degrees F.
-  Disconnect charger from power supply when not in use, and before any routine cleaning or maintenance.
-  If vacuum cleaner is not working as it should, or has been dropped or damaged in any way, return it to a service center before using. Call 1-800-298-8800 for a center nearest you.
-  This product contains a sealed nickel-metal hydride battery. Do not incinerate battery as it will explode at high temperatures. Always dispose of the battery in accordance with your state law.
-  Leaks from a battery cell can occur under extreme conditions. If the battery liquid gets on the skin, wash immediately with water. If it gets in your eyes, immediately flush your eyes with a mild solution of baking soda and water and seek medical attention.
-  Never use any charger other than the charger supplied. Failure to do this will void warranty and can result in a fire.

## WARRANTY

Water Tech Corp ("WT") warrants this product, including applied accessories against defects in material or workmanship for the time periods as set forth below. Pursuant to this Limited Warranty WT will, at its option (i) repair the product to the original specifications or (ii) replace the product with a new or refurbished product. In the event of a defect, these are your exclusive remedies. For purposes of this Limited Warranty, "refurbished," means a product or part that has been returned to its original specifications.

All Pool Blaster Battery Powered Pool & Spa Vacuums. For a period of one (1) year from the original date of purchase of the product, WT will, at its option, repair or replace with new or refurbished product or parts, any product or parts determined to be defective.

Accessories. Included accessories are covered by this Limited Warranty for a period of (90) days from the original date of purchase of the product.

Instructions. Please retain the original box and internal packaging materials. To obtain warranty service, you must comply with the following requisite instructions:

(1) Visit Water Tech Corp's Customer Support Department via email at [www.wtma.com](mailto:www.wtma.com). You will be guided through the correct process on how to obtain the required

RMA# (Return Merchandise Authorization Number.) All customers must obtain an RMA number before any product will be accepted for warranty service. If you need additional assistance please contact us by telephone: (800-298-8800), email: [customer.service@watertechcorp.com](mailto:customer.service@watertechcorp.com).

(2) Package the unit with all accessories properly and securely in the original box.

(3) Attach your RMA number and Bar-Code you received from the website to the outside of the package. If you could not print the RMA number and bar-code from the website you must write your RMA number in thick black indelible marker on two sides of the box.

(4) Send the package by USPS or express courier of choice to: Water Tech Corp, 10 Alvin Court, Unit 111, East Brunswick, New Jersey 08816. (WT suggests you insure the contents of your package.) WT is not responsible for lost, stolen or damaged property in transit to WT.

Repair/Replacement Warranty. This Limited Warranty shall apply to any repair, replacement part or replacement product for the remainder of the original Limited Warranty period or for ninety (90) days, whichever is longer. Any parts or products replaced shall become the property of WT.

This Limited Warranty covers only product issues caused by defects in material or workmanship during ordinary consumer use; it does not cover product issues caused by any other reasons, including but not limited to product issues caused by commercial use, acts of God, misuse, abuse, limitations in technology, or modification of or to any part of the WT product. This Limited Warranty does not cover WT products sold AS IS or WITH ALL FAULTS or consumables (such as batteries). This Limited Warranty is invalid if the factory-applied serial number has been altered or removed from the product. This Limited Warranty is valid only in the United States and Canada.

EXPRESS LIMITATION: THIS LIMITED WARRANTY ONLY APPLIES IF THE PRODUCT WAS PURCHASED FROM AN AUTHORIZED WATER TECH DEALER. THIS WARRANTY IS NOT TRANSFERABLE.

LIMITATION ON DAMAGES. WT WILL NOT BE LIABLE FOR ANY INCIDENTAL OR CONSEQUENTIAL DAMAGES FOR BREACH OF EXPRESS OR IMPLIED WARRANTY ON THIS PRODUCT.

DURATION OF IMPLIED WARRANTIES. EXCEPT TO THE EXTENT PROHIBITED BY LAW APPLICABLE LAW, ANY IMPLIED WARRANTY OF MERCHANTABILITY OR FITNESS FOR A PARTICULAR PURPOSE ON THIS PRODUCT IS LIMITED IN DURATION OF THIS WARRANTY.

Some states do not allow the exclusion or limitation of incidental or consequential damages, or allow limitations on how long an implied warranty lasts, so the above limitations or exclusions may not apply to you. This Limited Warranty gives you specific legal rights and you may have other rights, which vary from state to state.

## FCC Compliance

This device complies with Part 15 of the FCC Rules. Operation is subject to the following two conditions: (1) This device may not cause harmful interference, and (2) this device must accept any interference received, including interference that may cause undesired operation.

NOTE: This equipment has been tested and found to comply with the limits for a Class B digital device, pursuant to Part 15 of the FCC Rules. These limits are designed to provide reasonable protection against harmful interference in a residential installation. This equipment generates, uses and can radiate radio frequency energy and, if not used in accordance with the instructions, may cause harmful interference to radio communications. However, there is no guarantee that interference will not occur in a particular installation. If this equipment does cause harmful interference to radio or television reception, which can be determined by turning the equipment off and on, the user is encouraged to try and correct the interference by one or more of the following measures:

- Reorient or relocate the receiving antenna.
- Increase the separation between the equipment and receiver.
- Connect the equipment into an outlet on a circuit different than that to which the receiver is connected.
- Consult the dealer or an experienced radio/TV technician for help.

NOTE: Changes or modifications not expressly approved by the party responsible for compliance could void the user's authority to operate the equipment.

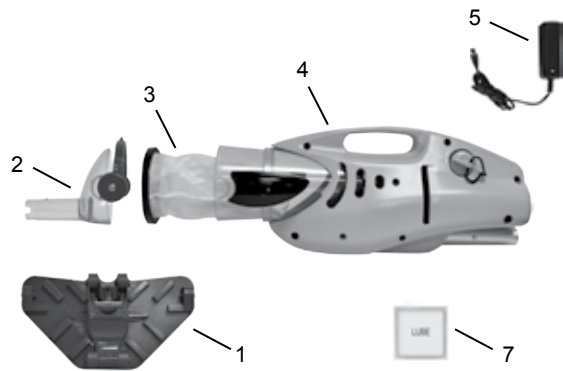
**WATER TECH**  
10 Alvin Court Suite 111  
East Brunswick, NJ 08816

# POOL BLASTER VOLT FX-8



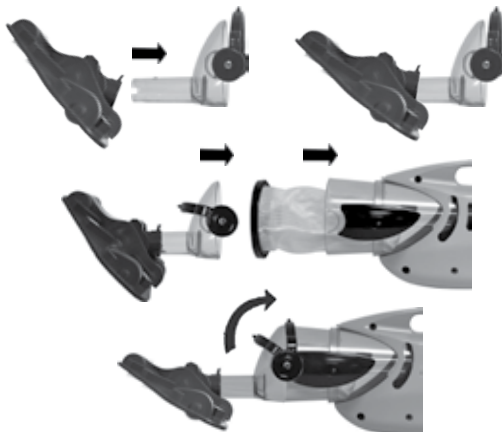
## OPERATOR'S MANUAL

**Do Not Return this Cleaner to Your Retailer. Have Questions?**  
Call Toll Free: **800-298-8800**  
or, go to our website: **WaterTechCorp.com**

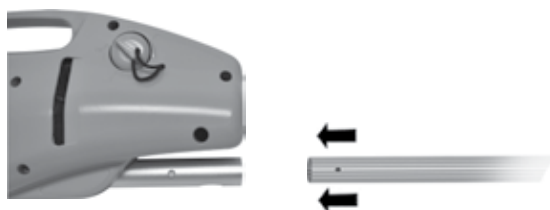


- 1. Vacuum Head
- 2. Nose Cap / Debris Chamber
- 3. Filter Bag
- 4. Cleaner Body
- 5. Battery Charger
- 6. Microfilter Bags (not shown)
- 7. LUBE Packet

### ATTACHING THE VACUUM HEAD & NOSE CAP



### ATTACHING THE POOL POLE



### TURNING THE CLEANER ON & OFF



Turn the knob clockwise, as far as possible, to prevent leakage.

### MAINTENANCE

**Cleaning the Filter Bag** You should remove and clean the Filter Bag following each use.



**Lubricating the ON/OFF Knob** Periodically the rubber "O"-Rings which circle the ON/OFF Knob should be treated with the LUBE included with your cleaner.



### CHARGING YOUR CLEANER



**Initial Charge (New Cleaner) 3-4 Hours**  
**Recharging (After Complete Discharge) 3 Hours**

### LONG TERM STORAGE

*Always clean the Nose Cap and Filter Bag before storing.*  
*Always store your Cleaner in a cool, dry, indoor shelter.*  
*Recharge the Cleaner for 3 hours after each month of inactivity.*

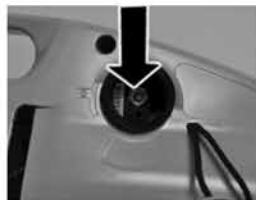
# POOL BLASTER® VOLT FX-8

## Quick Start Assembly Guide & Operating Instructions



### 1. Charging

---



Initial Charge

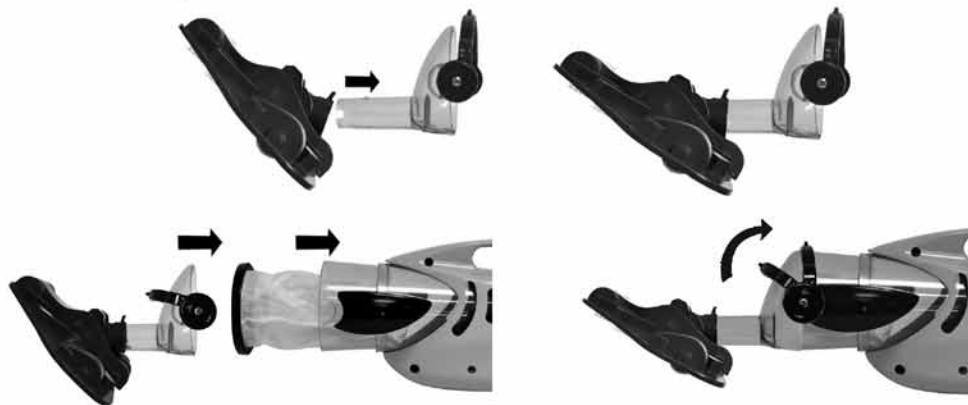
**3-4  
Hours**

Re-Charge

**3  
Hours**

### 2. Unit Assembly

---



**POOL BLASTER®**  
**VOLT**  
**FX-8**  
**Quick Start**  
Assembly Guide &  
Operating Instructions



3. Pole Assembly



4. Starting the Cleaner



Turn the knob clockwise, as far as possible, to prevent leakage.

5. Maintenance

Empty and clean the Filter Bag after each use.



Periodically apply LUBE to the black rubber gasket inside the Battery Cap.

**Do Not Return this Cleaner to Your Retailer. Have Questions?**  
**Call Toll Free: 800-298-8800**  
or, go to our website: **WaterTechCorp.com**