

DUAL STAGE FILTRATION SYSTEM

OPAL XL 270/MULTICYCLONE 16

CRYSTAL CLEAR, SPARKLING WATER

FIRST STAGE CENTRIFUGAL FILTRATION using centrifugal we can remove over 90% of debris before they enter the second stage. Spins out debris as low as 5 microns. It has no moving parts and can be cleaned with a simple purge. Enhancing the performance of suction cleaners and in-floor systems.

SECOND STAGE FILTRATION using specially designed extra large cartridges. We can operate up to 138gpm. Maximizing its dirt holding capacity and minimizing filter maintenance. The filter dome lid is equipped with grip handles that allow easy access to the filter cartridge for removal, cleaning and installation in a matter of minutes.

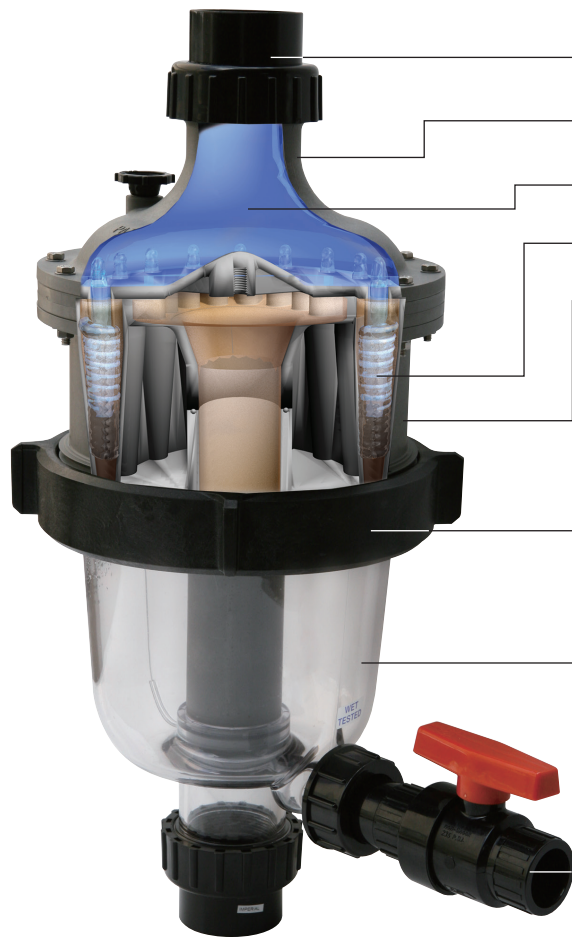
SYSTEM BENEFITS

- Easy purge system with no backwashing.
- Ideal for suction cleaner performance
- No more filter band clamps and manifolds to disassemble
- Minimum 4 times extension in filter clean cycles
- 3 YEAR FIRST STAGE WARRANTY / 10 YEAR SECOND STAGE TANK WARRANTY (See dealer for details)



1st STAGE CENTRIFUGAL WATER FILTRATION

The MultiCyclone works on the basis of centrifugal water filtration. There are no moving parts to wear and tear, and no filter media to clean or replace.



2" quick fit unions

UV and corrosion proof

Hydraulically efficient design

12 or 16 hydro cyclones

Glass filled riefored thermoplastic

Heavy duty lock ring

Clear poly carbonate sediment chamber

1" sediment pruge valve

- i. Incoming water enters 16 hydro cyclones tangentially, generating a strong centrifugal effect.
- ii. The sediment is spun out to the hydro cyclone's wall, and then spirals down to the sediment chamber*.
- iii. The filtered water migrates towards the centre of the hydro cyclone where the flow reverses and spirals upwards through the outlet.
- iv. Accumulation of sediment can be visibly monitored through the MultiCyclone's clear sediment chamber.

*Note: The MultiCyclone is designed to filter sediment that is heavier than water, floating debris cannot be filtered out by centrifugal filtration.

Simple Maintenance

The MultiCyclone is easily cleaned by opening it's purge valve, while the pump is running. Only 4 Gallons of water is discharged to clean the Multicyclone.



Certified to
NSF/ANSI Standard 50



2nd STAGE WATER FILTRATION

Constructed from high impact polypropylene and designed for easy maintenance. The Opal XL cartridge filters will provide years of trouble free service.



Easy to read pressure gauge.

Air relief valve.

Dome shaped lid is equipped with grip handles that allowing simple cartridge removal and replacement.

Solid one piece moulded polymer tank. Low profile for easy cartridge removal and inconspicuous enclosure.

Tough heavy duty polyester filter fabric with wide and deep pleats for better filter efficiency, easy cleaning and longer cartridge life.

2" quick connect barrel unions for UPVC pipe.

Extra Large Filter Cartridge

Opal XL filter cartridges are fabricated from pleated reusable polyester fabric. The extra larger size cartridge has been pleated to provide 225ft² to 270ft² of surface area maximising its dirt holding capacity and minimising filter maintenance.

Material: Polyester fabric material, plastisol end caps and a polypropylene core.

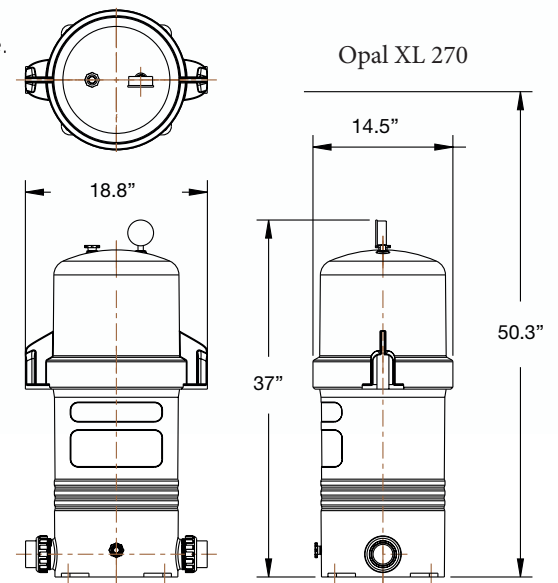
Operating Temperature: 39F to 122F

Maximum Pressure Drop: 50 PSI

Simple Maintenance

The filter cartridge is easily cleaned by hosing the pleats with a standard garden hose.

Dimensions



OFFICES - North America

Waterco (USA) Inc
Augusta, Georgia, USA
Tel: +1 706 793 7291

Waterco Canada
Longueuil, Quebec, Canada
Tel: +1 450 748 1421

OFFICES - OVERSEAS

NSW - Sydney (Head Office)
Tel: +61 2 9898 8600

Waterco (Europe) Limited
Sittingbourne, Kent, UK
Tel: +44 (0) 1795 521 733

Waterco (NZ) Limited
Auckland, New Zealand
Tel: +64 9 525 7570

Waterco (C) Limited
Guangzhou, China
Tel: +86 20 3222 2180

Waterco (Far East) Sdn Bhd
Selangor, Malaysia
Tel: +60 3 6145 6000

PT Waterco Indonesia
Jakarta, Indonesia
Tel: +62 21 4585 1481

Waterco Singapore Intl Pte
Ltd
Nehsons Building, Singapore
Tel: +65 6344 2378

DISTRIBUTED BY:

WATERCO
water, the liquid of life

