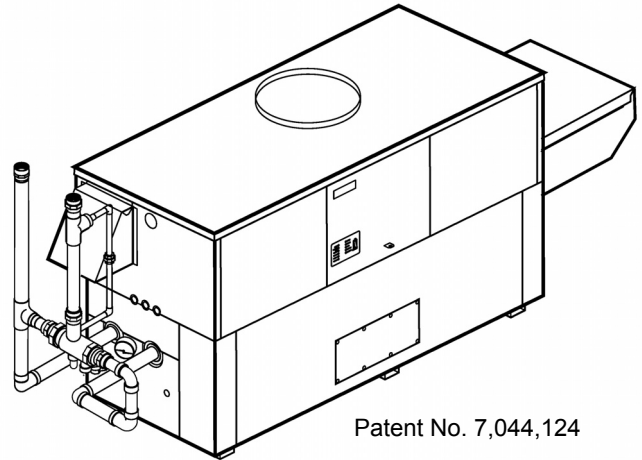


Job: \_\_\_\_\_  
 Engineer: \_\_\_\_\_  
 Contractor: \_\_\_\_\_  
 Prepared By: \_\_\_\_\_ Date: \_\_\_\_\_  
 Model: \_\_\_\_\_ Indoor/Outdoor: \_\_\_\_\_ MBTUH Input: \_\_\_\_\_

# Hi Delta® - Type P

Commercial Pool Heaters  
 Models 502B-902B

- Sealed Combustion Chamber**
- 100% Factory Fire Tested**
- Efficiency: 85%**
- Minimum Non-condensing Inlet Temperature: 105°F**
- Thermal Shock Proof Heat Exchanger**
- Limited Twenty-year Thermal Shock Warranty**
- Limited Five-year Heat Exchanger Warranty**
- Full Safety Diagnostics with Fault History**
- PolyTuf Powder Coated Cabinet**
- No Combustible Floor Shield Required**
- Fan-assisted**
- Non-ferrous Bypass**
- Patented Burner Security Blanket**



Standard "Sparcomatic" Bypass Shown

### Heat Exchanger

- Brass Headers
- ASME Inspected and Stamped  
160 PSIG Working Pressure
- National Board Approved
- Cupro Nickel Finned Tubing
- ASME Steel Tube Sheet
- Silicone High Temp O-Rings
- 125 PSIG ASME Pressure Relief Valve
- Temperature and Pressure Gauge
- Water Connections
  - Left – Standard
  - Right – Option A-6
- Bronze Pump, 1/2 HP, 120V, 60Hz
- Non-ferrous Pool Bypass Assembly with Automatic Control

### Controls

- 120V, 60Hz, 1Ø Power Supply
- 120/24V 60Hz Transformer
- 100% Pilot Shutoff/Lockout
- Hot Surface Ignition
- Remote Flame Sensor
- High Limit Control, Manual Reset
- On/Off Power Switch
- Thermostat Override Switch
- Manual Shut-off, Front-mounted
- Flow Switch
- Blocked Vent Pressure Switch
- Combustion Air Proving Switch
- Economaster Pump Time Delay
- Poolstat
- Diagnostics Panel with LCD Display,  
2 Lines, 20 Characters

### Gas Train

- Combination Valves
- On/Off Firing
- Fuel
  - Natural Gas
  - Propane Gas
- Design Certified ANZI Z21.56/  
CSA 4.7

### Burner

- Ultra-low NOx:  
Less than 20 PPM

### Construction

- Indoor/Outdoor Construction
- Enclosed Front Controls
- PolyTuf Powder Coat Finish

### Venting

- Vent Location
  - Top – Standard
  - Rear – Option D-14
- Vent Termination Cap
  - Outdoor – Option D-11
  - Indoor, Horizontal –  
Option D-15
  - Indoor, Vertical (by others)
- Combustion Air
  - In-Line Filter Kit (TruSeal  
only) – Option D-17
  - Air Intake Elbow –  
Option D-16

### Options

- C-6 Ignition Module, Manual Reset
- D-21 TruSeal™ Direct Vent
  - Left Side - Standard
  - Right Side - Optional
- F-10 Low Water Cut-Off,  
Remote Probe
- P-\_\_ Cold Water Run System  
(See Page 3)
- S-1 Low Gas Pressure Switch,  
Manual Reset
- S-2 High Gas Pressure Switch,  
Manual Reset
- X-1 SureRack Kit
- X-2 SureRack Kit Add-On
- Y-241 Temperature Controller,  
1-4 Stages

### Regulatory Agency Requirements

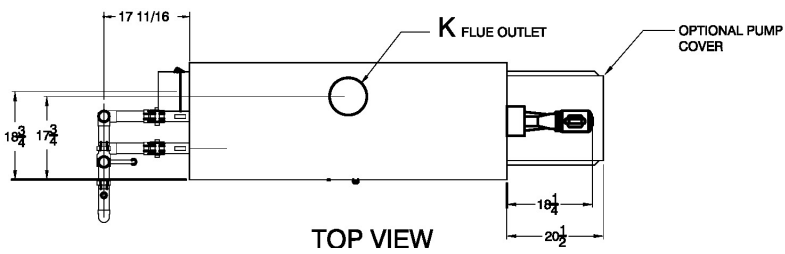
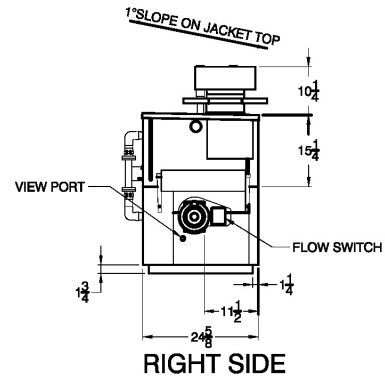
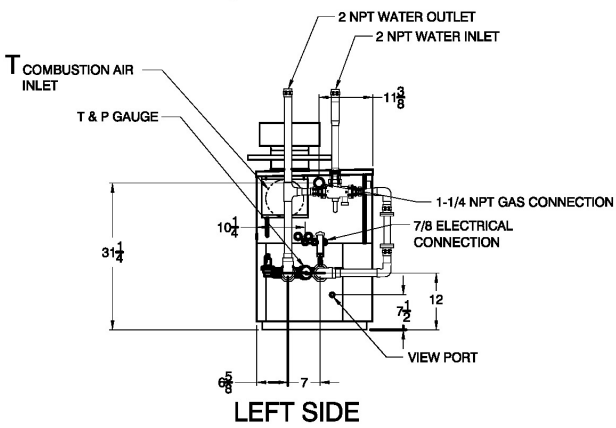
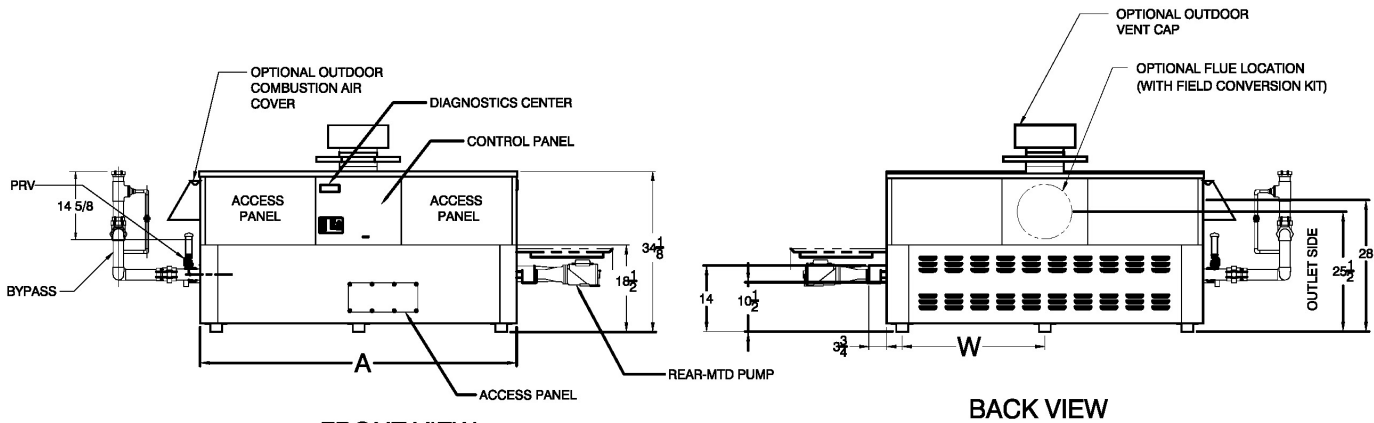
- G-1 CSD-1



**Raypak®**  
 A Rheem® Company

# Hi Delta – Type P Models 502B – 902B

Model \_\_\_\_\_



## Standard "Sparcomatic" Bypass

### RATE OF FLOW AND PRESSURE DROP

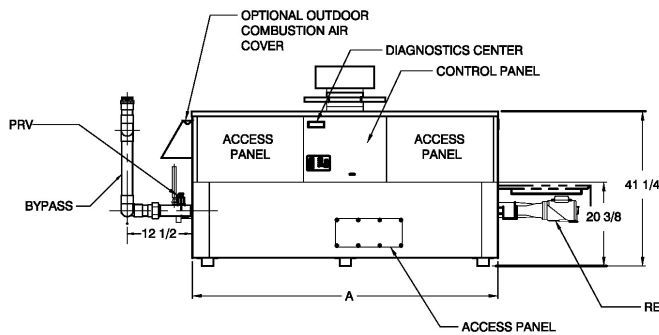
Model	Max. Flow		
	GPM	ΔP (ft)	ΔT
502B	90	10.5	10
652B	90	10.7	12
752B	90	11.0	14
902B	90	11.8	17

Model	MBTUH		A Width	K	T	W	Amp Draw (w/ Pump)	Shipping Weight (Lbs.)
	Input	Output						
502B	500	425	50	6	6	22	13	545
652B	650	553	60-1/2	8	6	27-1/4	13	590
752B	750	638	67-1/2	8	6	30-3/4	13	675
902B	900	765	78	8	6	36	14	740

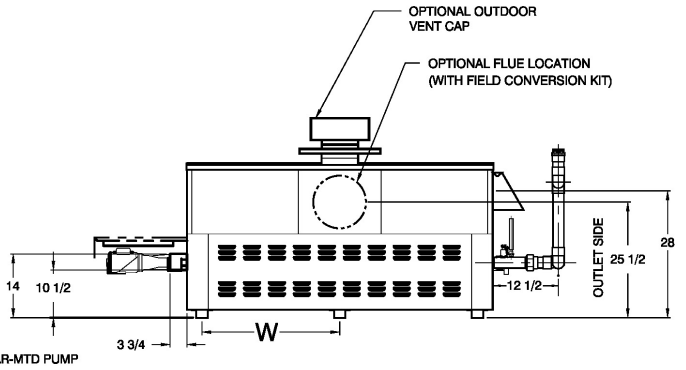
Dimensions are in inches.  
Ratings shown are for elevations up to 4,500 feet and for natural or propane gas.  
For installation at elevations over 4,500 feet, please contact manufacturer.

# Hi Delta – Type P Models 502B – 902B

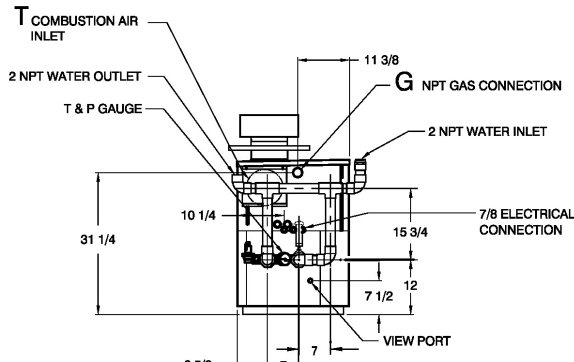
Model \_\_\_\_\_



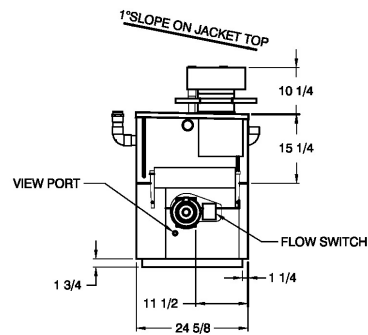
FRONT VIEW



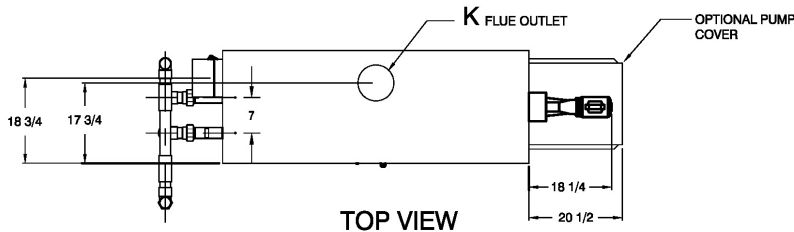
BACK VIEW



LEFT SIDE



RIGHT SIDE



TOP VIEW

## Cold Water Run Option

## RATE OF FLOW AND PRESSURE DROP

Model	Max. Flow		
	GPM	ΔP (ft)	ΔT
502B	90	10.5	10
652B	90	10.7	12
752B	90	11.0	14
902B	90	11.8	17

Model	MBTUH		A Width	K	T	W	Amp Draw Heater w/ Pump	Pump HP	Injector Pump HP	Shipping Weight (Lbs.)
	Input	Output								
P 502B	500	425	50	6	6	22	13	1/2	1/4 *	655
P 652B	650	553	60-1/2	8	6	27-1/4	13	1/2	1/4 *	755
P 752B	750	638	67-1/2	8	6	30-3/4	13	1/2	1/4 *	815
P 902B	900	765	78	8	6	36	14	1/2	1/4 *	905

Dimensions are in inches.  
Ratings shown are for elevations up to 4,500 feet and for natural or propane gas.  
For installation at elevations over 4,500 feet, please contact manufacturer.

\* Separate 120 VAC or 240 VAC 1Ø power required for Cold Water Run Option