

E3T™

Electric 3-Series Titanium

POOL AND SPA HEATER

TITANIUM
HEATING
ELEMENT

INTEGRATED
FLOW SENSOR

EASY TO USE
DIGITAL
CONTROLS

Innovation and durability
built in!

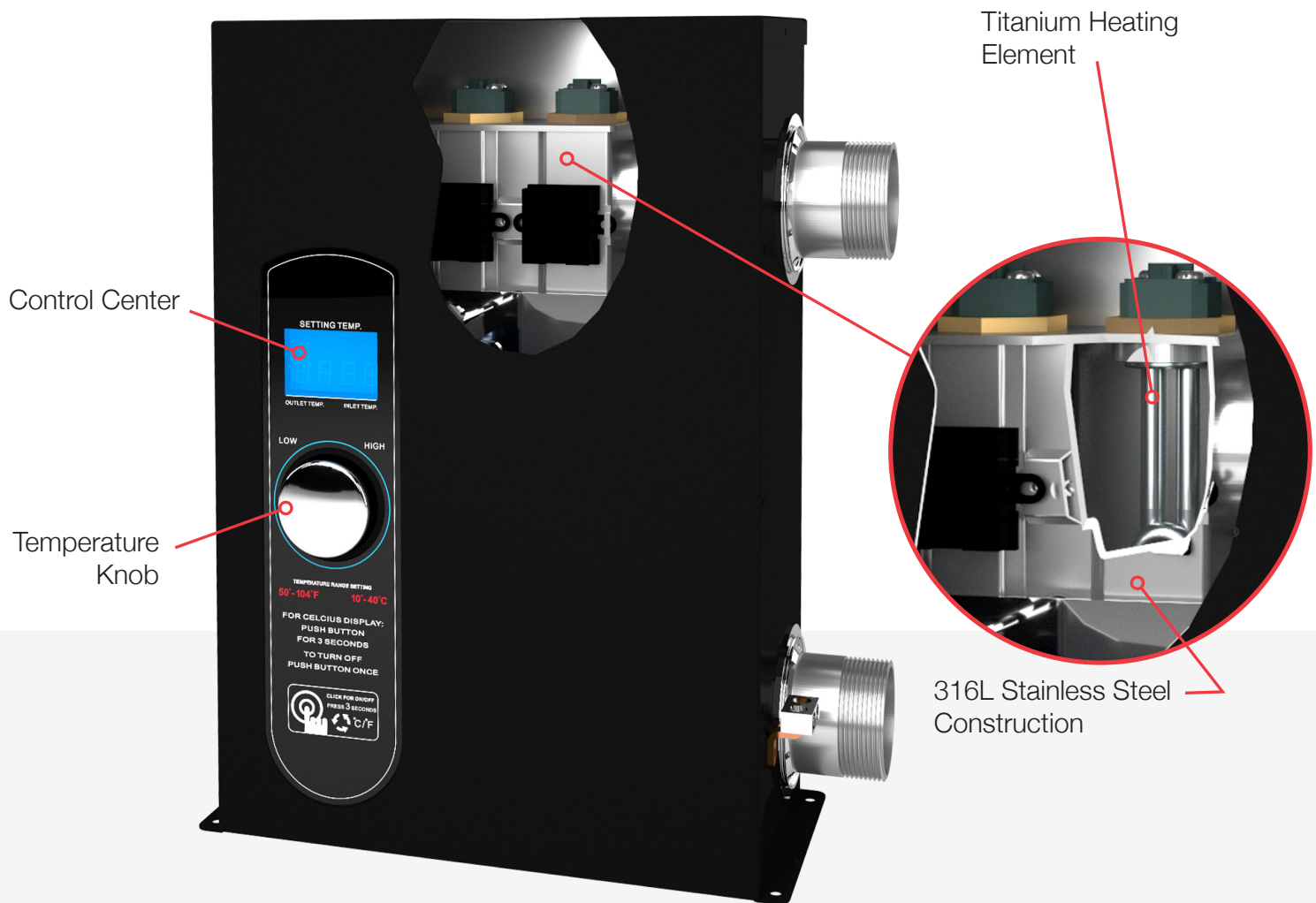


Raypak®
A Rheem® Company

INNOVATIVE DESIGN

E3T: Electric Pool and Spa Heater

The Electric 3-Series Titanium heater is the latest technology in pool and spa heating. The E3T is built with titanium heating elements and 316L stainless steel to withstand extreme pool water conditions, including salt water chlorinated pools. The E3T heater operates by utilizing the latest solid-state design and flow sensor technology. It has easy to use digital controls with diagnostics. The compact size makes it is easy to install for new construction or replacement installations.



DURABILITY INCLUDED

Built-in intelligence.

The E3T is equipped with easy to use digital controls and diagnostics. Our digital control center shows the desired set point and lets you set the temperature exactly where you want it. The easy to read display allows you to see temperature, GPM flow, and diagnostics. The intuitive alert system keeps you informed.



Main Display



Flow



Diagnostics

Control Center



Titanium Element

The E3T has a robust titanium heating element that not only prolongs the life of the heater, but allows it to work in extreme pool water environments, such as salt water chlorinated pools.

316L Stainless Steel

316L stainless steel is used in the construction of our heaters. This high grade, corrosion resistant steel is especially suited for salt water heating applications.



Flow Sensor Technology

E3T operates by utilizing the latest flow sensor technology instead of the traditional pressure switch activation. Our heater is programmed to have a minimum flow activation rate of 15 Gallons Per Minute, this helps protect the elements and prolong their lifespan.

Solid State Design

The E3T uses solid state controls to eliminate noisy and troublesome contactors providing quiet, reliable operation. The advanced design allows the heater to modulate power, only using the energy necessary to maintain desired temperature.



Ready To Install

E3T pool and spa heaters are compact, come standard with union connections, and are easy to install. They are the perfect solution for a new pool or spa, as well as to replace any existing pool or spa heater. Available in 5.5, 11, 18 and 27 kW.

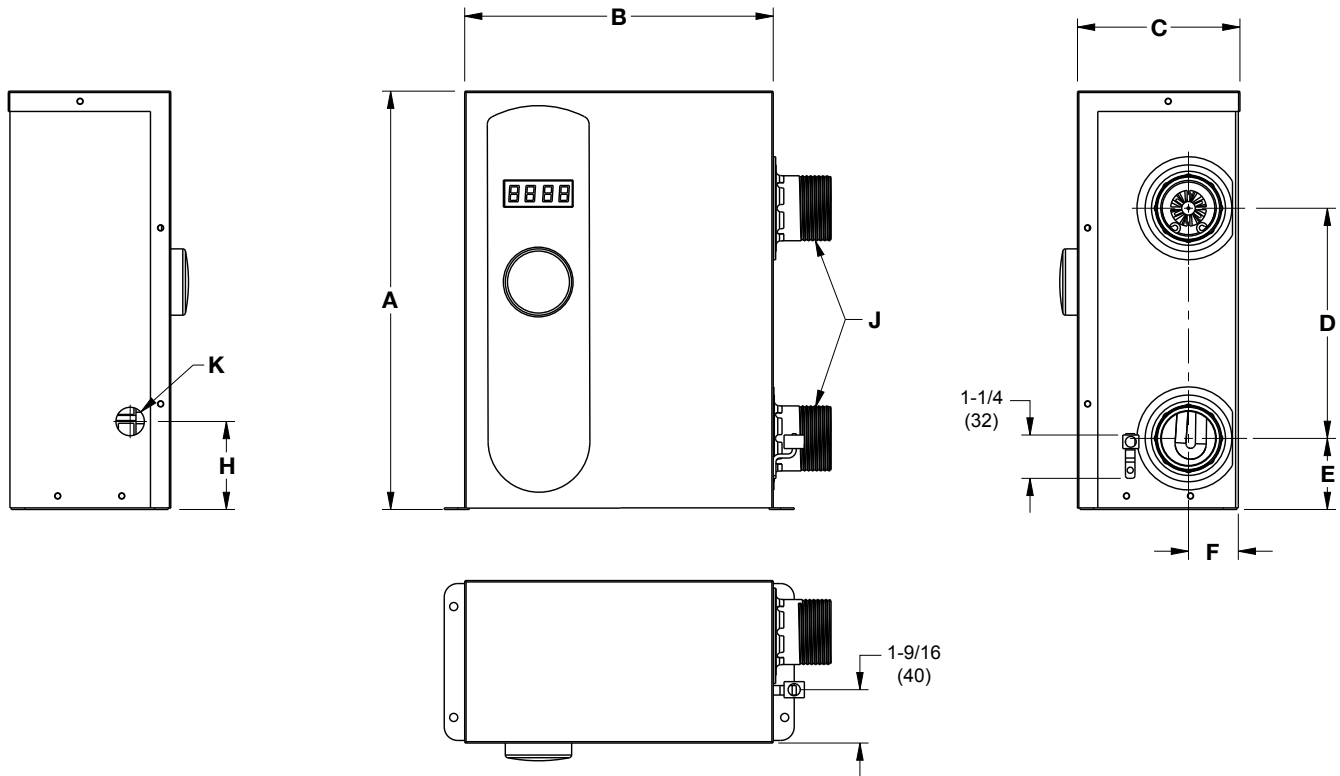


Union Connections (1-1/2" and 2" diameters)

E3T

Electric 3-Series Titanium

Electric Spa - Type P Models 5.5kW - 27kW



Model	kW	No. of Breakers (Amps)	Dimensions In. (mm)									Lbs. (kg)
			A Height	B Width	C Base Depth	D	E	F	H	J NPT	K	
0005	5.5	1 x 30	12-1/8 (309)	9 (228)	4-3/4 (120)	6-11/16 (170)	2-1/16 (53)	1-7/16 (37)	2-9/16 (65)	1-1/2	13/16 (22)	15 (8.89)
0011	11	1 x 60	12-1/8 (309)	9 (228)	4-3/4 (120)	6-11/16 (170)	2-1/16 (53)	1-7/16 (37)	2-9/16 (65)	1-1/2	13/16 (22)	16 (7.40)
0018	18	2 x 40	16-1/2 (420)	11-1/8 (283)	5-7/16 (138)	10-9/16 (268)	2-5/16 (58)	1-5/8 (41)	2-11/16 (68)	2	1-1/16 (27)	24 (11)
0027	27	3 x 40	16-1/2 (420)	11-1/8 (283)	5-7/16 (138)	10-9/16 (268)	2-5/16 (58)	1-5/8 (41)	2-11/16 (68)	2	1-1/16 (27)	30 (13.52)

All models are 240V single phase.



Intertek

4000856

Tested to UL Standard 1261

www.raypak.com

2151 Eastman Avenue | Oxnard, CA 93030 | 805-278-5300

Litho in U.S.A. ©2018 Raypak, Inc. 6100.12 Effective 10-15-18 Replaces NEW