

POOL
MODELS: 5350 THRU 8350 HEAT PUMP

CATALOG NO. RP9100.75
Effective: 12-28-10
Replaces: 11-05-10

RAYPAK ILLUSTRATED PARTS LIST

MODEL SIZE: 5350, 6350 & 8350

MODEL TYPE: HEAT PUMP POOL HEATER

DATES OF MANUFACTURE: 11-1-09 THRU CURRENT

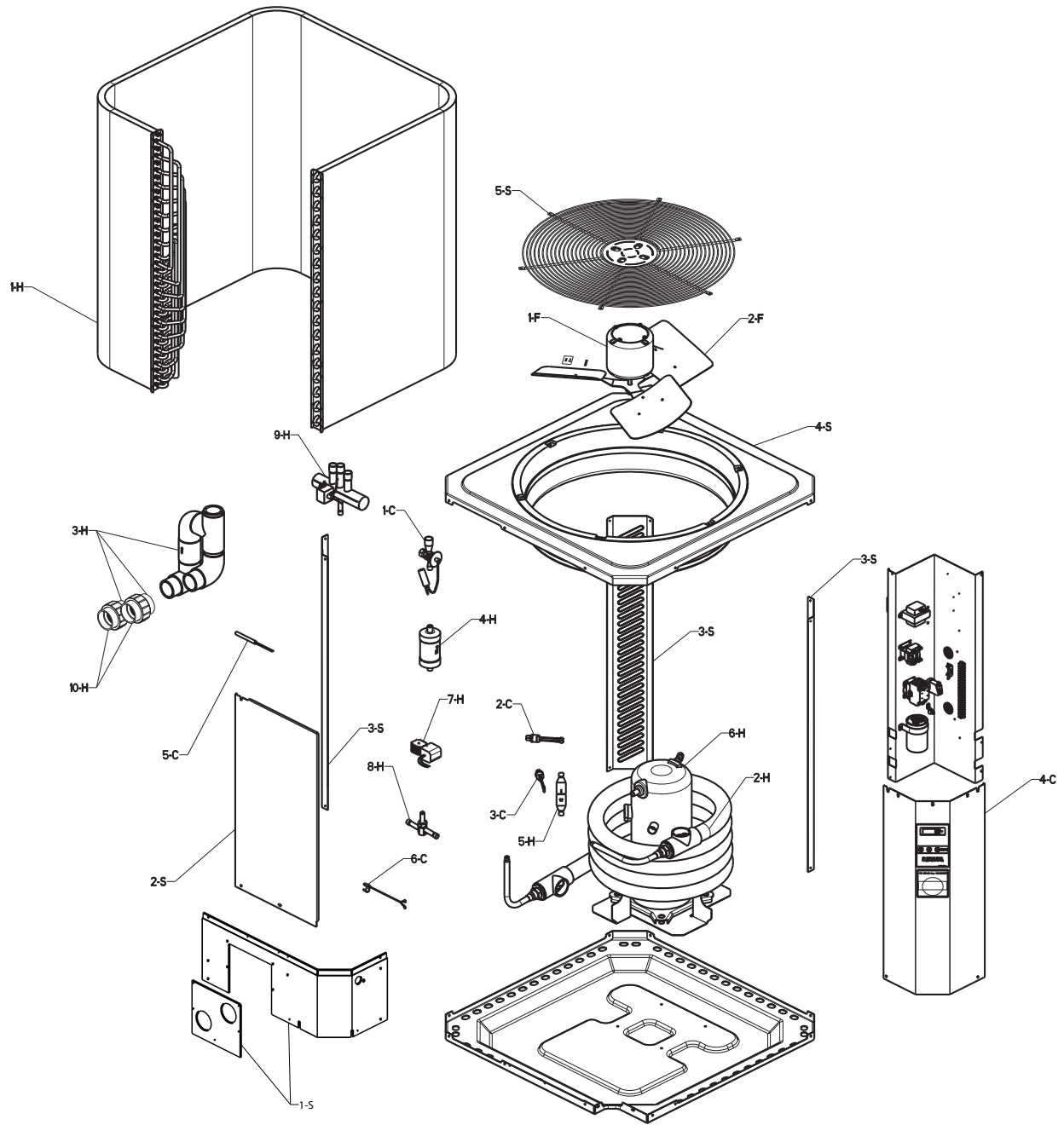
THE PARTS LISTED ARE FOR STANDARD EQUIPMENT FOR THIS MODEL TYPE. RAYPAK RESERVES THE RIGHT TO SUBSTITUTE, DELETE OR CHANGE ANY PART WITHOUT NOTIFICATION. THE ADDITION OF OPTIONS MAY ALSO CHANGE SOME OF THE PARTS. ORDER REPLACEMENT PARTS FROM ACTUAL HEATER COMPONENTS.

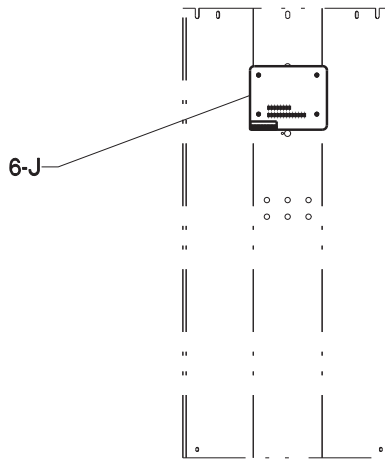
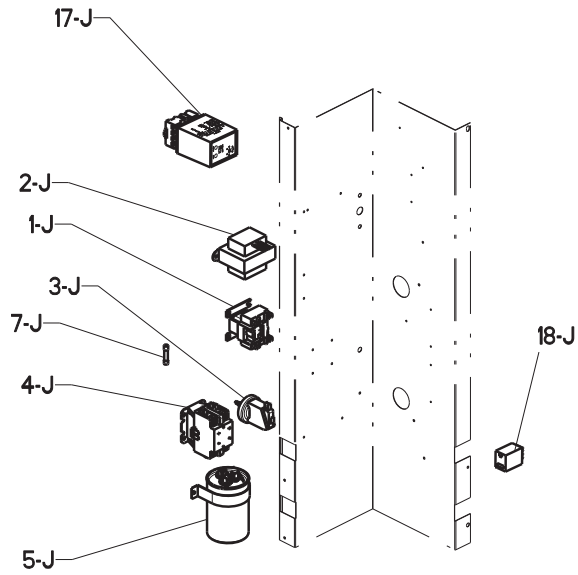


FOR DETAILED INSTRUCTIONS, SEE "HOW TO USE YOUR ILLUSTRATED PARTS LIST",
CATALOG NO. 9001.10

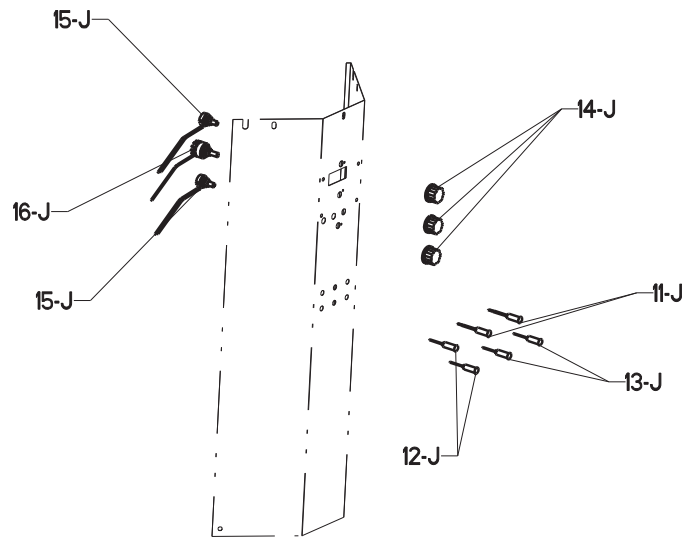
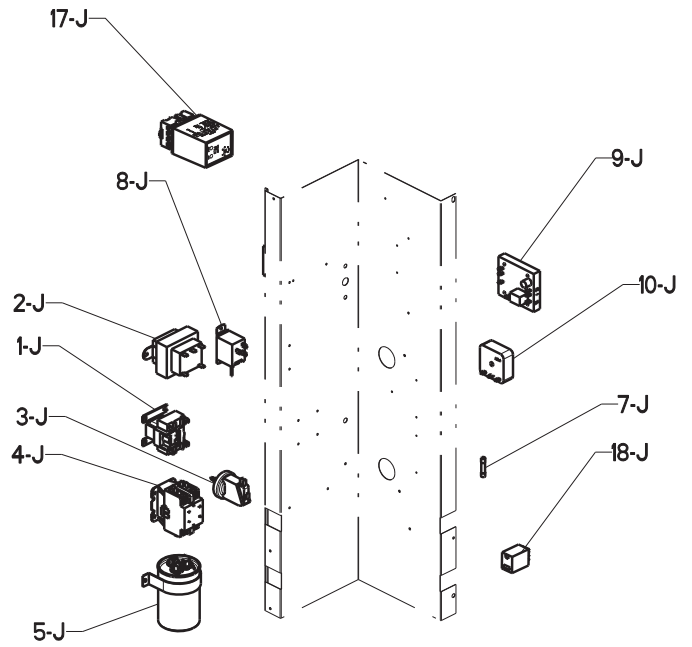


Raypak, Inc., 2151 Eastman Avenue, Oxnard, CA 93030
(805) 278-5300 Fax (800) 872-9725
Litho In U.S.A.





DIGITAL



ANALOG

| CALLOUT | DESCRIPTION | RAYPAK | | | PERFECTEMP | | |
|----------------------|---|--------------------|-------------------------------|--|--------------------|-------------------------------|--|
| | | R5350 | R6350 | R8350 | P5350 | P6350 | P8350 |
| CONTROLS | | | | | | | |
| 1-C | TX Valve Heat Heat/Cool Power Defrost | H000076 | H000173 H000076 H000173 | H000077 H000173 | H000076 | H000173 H000076 H000173 | H000077 H000173 |
| 2-C | Low Pressure Switch | H000078 | H000078 | H000078 | H000078 | H000078 | H000078 |
| 3-C | High Pressure Switch | H000079 | H000079 | H000079 | H000079 | H000079 | H000079 |
| 4-C | Control Cover Digital (Shown) Analog | H000052 H000054 | H000052 H000054 | H000052 H000054 | H000099 H000100 | H000099 H000100 | H000099 H000100 |
| 5-C | Temperature Sensor | H000002 | H000002 | H000002 | H000002 | H000002 | H000002 |
| 6-C | Temperature Sensor | | H000082 | | | H000082 | |
| HEAT TRANSFER | | | | | | | |
| 1-H | Evaporator Coil Heat Heat/Cool | H000016 | H000018 H000038 | H000020 H000046 | H000016 | H000018 H000038 | H000020 H000046 |
| 2-H | Heat Exchanger Heat Heat/Cool | H000022 | H000022 H000048 | H000024 H000050 | H000022 | H000022 H000048 | H000024 H000050 |
| 3-H | Bypass Assembly | H000042 | H000042 | H000042 | H000042 | H000042 | H000042 |
| 10-H | PVC Union | H000055 | H000055 | H000055 | H000055 | H000055 | H000055 |
| 4-H | Liquid Line Drier Heat Heat/Cool (Bi-Flow) | H000011 | H000011 H000004 | H000011 H000004 | H000011 | H000011 H000004 | H000011 H000004 |
| 5-H | Check Valve | | | H000006 | | | H000006 |
| 6-H | Compressor Compressor 3 PH Compressor 3 PH 460V | H000010 | H000012 H000171 | H000014 H000110 H000109 | H000010 | H000012 H000171 | H000014 H000110 H000109 |
| 7-H | Solenoid Coil Power Defrost | | H000107 | | | H000107 | |
| 8-H | Solenoid Valve Power Defrost | | H000108 | | | H000108 | |
| 9-H | Reversing Valve Heat/Cool | | H000136 | H000136 | | H000136 | H000136 |
| FAN | | | | | | | |
| 1-F | Fan Motor 1 PH / 3 PH 230V Fan Motor 3 PH 460V | H000084 | H000084 | H000084 H000115 | H000084 | H000084 | H000084 H000115 |
| 2-F | Fan Blade 1 PH / 3 PH 230V Fan Blade 3 PH 460V | H000044 | H000044 | H000044 H000116 | H000044 | H000044 | H000044 H000116 |
| CONTROL BOX | | | | | | | |
| 1-J | Fan Relay | H000017 | H000017 | H000017 | H000017 | H000017 | H000017 |
| 2-J | Transformer Digital Digital 3 PH Analog Analog 3 PH Analog 3 PH 460V | H000021 H000023 | H000021 H000021 H000023 | H000021 H000021 H000023 H000112 | H000021 H000023 | H000021 H000021 H000023 | H000021 H000021 H000023 H000112 |
| 3-J | Water Pressure Switch | H000025 | H000025 | H000025 | H000025 | H000025 | H000025 |
| 4-J | Contactactor Contactactor 3 PH | H000043 | H000043 H000114 | H000043 H000114 | H000043 | H000043 H000114 | H000043 H000114 |
| 5-J | Capacitor Capacitor 3 PH Capacitor 3 PH 460V | H000080 | H000080 H000117 | H000081 H000117 H000113 | H000080 | H000080 H000117 | H000081 H000117 H000113 |
| 6-J | Control Board | H000029 | H000029 | H000029 | H000029 | H000029 | H000029 |
| 7-J | Fuse | H000001 | H000001 | H000001 | H000001 | H000001 | H000001 |
| 8-J | Defrost Control Switch | H000065 | H000065 | H000065 | H000065 | H000065 | H000065 |
| 9-J | Control Board | H000035 | H000035 | H000035 | H000035 | H000035 | H000035 |
| 10-J | Delay on Break Timer | H000019 | H000019 | H000019 | H000019 | H000019 | H000019 |
| 11-J | Green LED | H000037 | H000037 | H000037 | H000037 | H000037 | H000037 |
| 12-J | Amber LED | H000039 | H000039 | H000039 | H000039 | H000039 | H000039 |
| 13-J | Red LED | H000041 | H000041 | H000041 | H000041 | H000041 | H000041 |
| 14-J | Knob | H000008 | H000008 | H000008 | H000008 | H000008 | H000008 |
| 15-J | Potentiometer | H000061 | H000061 | H000061 | H000061 | H000061 | H000061 |
| 16-J | Rotary Switch | H000057 | H000057 | H000057 | H000057 | H000057 | H000057 |
| 17-J | 3 PH Monitor | | H000111 | H000111 | | H000111 | H000111 |
| 18-J | Controller Relay | | H000003 | H000003 | | H000003 | H000003 |
| MISCELLANEOUS | | | | | | | |
| 1-M | Touch-up Paint | 750125 | 750125 | 750125 | 750250 | 750250 | 750250 |
| SHEETMETAL | | | | | | | |
| 1-S | Electrical Input Panel | H000026 | H000028 | H000028 | H000056 | H000058 | H000058 |
| 2-S | Access Panel | H000030 | H000030 | H000030 | H000060 | H000060 | H000060 |
| 3-S | Corner Jacket Panel | H000032 | H000034 | H000034 | H000062 | H000064 | H000064 |
| 4-S | Jacket Top | H000036 | H000036 | H000036 | H000066 | H000066 | H000066 |
| 5-S | Grille Fan Guard | H000040 | H000040 | H000040 | H000101 | H000101 | H000101 |

* NOTE: R-410 A components not compatible with R22 units.

www.raypak.com