

# POOL & SPA PRODUCT CATALOG

RESIDENTIAL HEATERS  
COMMERCIAL HEATERS  
PARTS



**Rheem**

*A Rheem Company*

# 2008

# TABLE OF CONTENTS

Section 1	Residential Heaters . . . . .	2
Section 2	Commercial Heaters . . . . .	15
Section 3	Residential Illustrated Parts List . .	58
Section 4	Commercial Illustrated Parts List . .	155
Section 5	Parts Pricing (Numerical) . . . . .	220
Section 6	Appendix . . . . .	256

## RESIDENTIAL HEATERS

## SECTION 1

Digital 206A-406A	3
Digital Cupro-Nickel 206A-406A	4
Digital Low NOx 207A-407A	5
Digital Low NOx Cupro-Nickel 207A-407A	6
Millivolt 206A-406A	7
Versa 055	8
Versa 130	9
Spa-Pak 552,1102	10
Professional Series Heat Pump 5100ti	11
Classic Series Heat Pump 6300ti-8303ti	12
Specialty Series Heat Pump 6300tiHC-8300tiPD	13
Residential Heater Options	14

## Tops

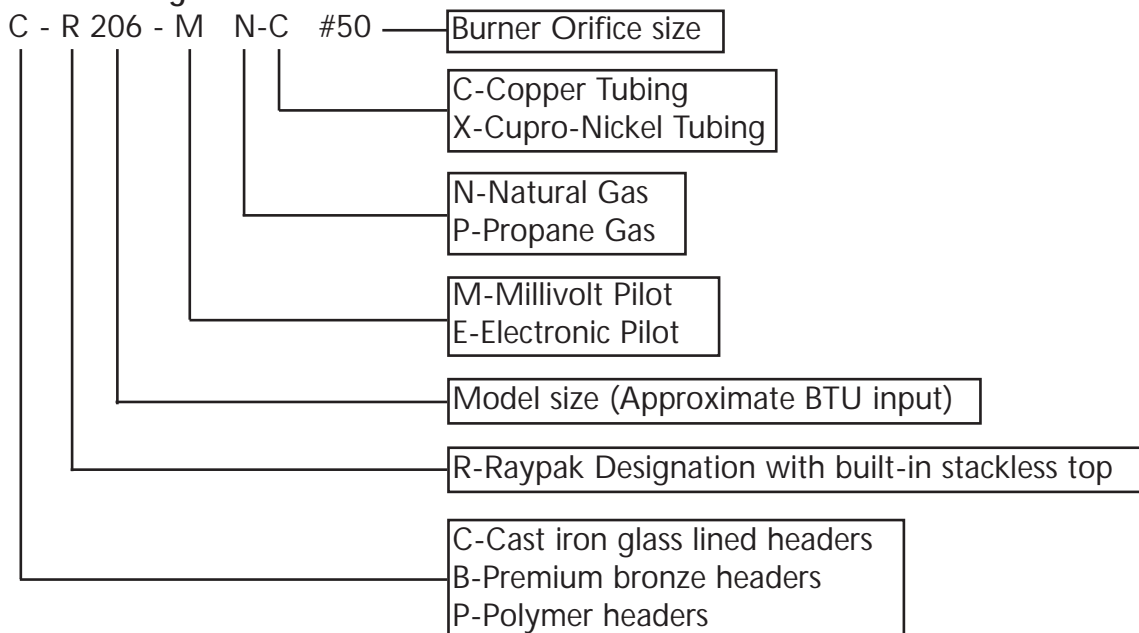
Heater prices do not include tops unless noted otherwise. The Versa 105, and all Digital and Millivolt models require an indoor top if the unit is installed indoors.

## Ordering Information

When ordering, specify part number, model number, altitude, and options.

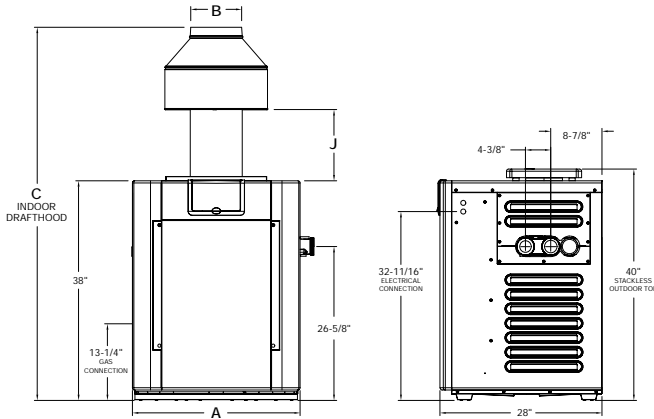
Example: 1 Each Part Number 009271 C-R406-EN 2000' Elevation  
 1 Each Part Number 009841 406 Drafthood

## Model Designation



# DIGITAL

- LCD digital display provides accurate temperature
- Monitors operational status as well as service diagnostics
- High-wind resistance
- Corrosion-resistant headers
- Unitherm governor prevents condensation
- PVC plumbing directly to the heater
- Small footprint
- Can be installed on combustible surface



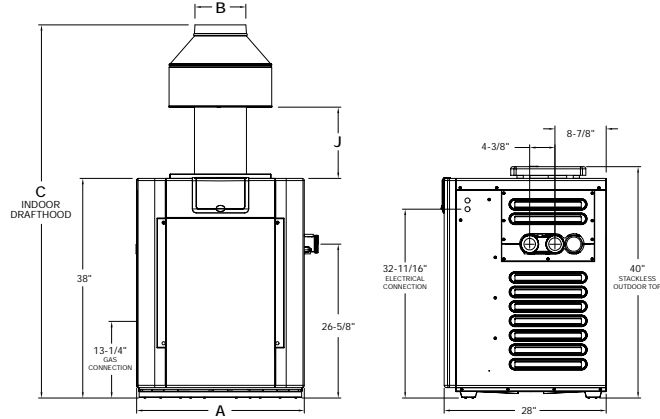
Heater Model	BTUH Input (000)	(A) Cabinet Width	(B) Flue Diameter	(C) Indoor Draft Hood	(J) Minimum	Gas Conn.	Water Conn.	Shipping Weights (lbs)	
								w/ Polymer Headers and Stackless Top	Indoor Draft Hood
R206A	199.5	20"	6"	61-5/8"	11-7/8"	3/4"	2"	187	12
R266A	266.0	23"	7"	62"	11"	3/4"	2"	210	15
R336A	332.5	26"	8"	63"	10-5/8"	3/4"	2"	230	17
R406A	399.0	29"	9"	64-1/2"	12-5/16"	3/4"	2"	249	20

MODEL	GAS	ELEVATION (feet)	PART NUMBER	SHIPPING WEIGHT (LBS)	LIST PRICE
P-R206A-EN-C #50	Natural	0-2000	009216	187	\$2,538
P-R206A-EN-C #51	Natural	2000-6000	009220	187	\$2,538
P-R206A-EN-C #52	Natural	6000-9000	009846	187	\$2,538
P-R266A-EN-C #50	Natural	0-2000	009217	210	\$2,784
P-R266A-EN-C #51	Natural	2000-6000	009221	210	\$2,784
P-R266A-EN-C #52	Natural	6000-9000	009847	210	\$2,784
P-R336A-EN-C #50	Natural	0-2000	009218	230	\$3,173
P-R336A-EN-C #51	Natural	2000-6000	009222	230	\$3,173
P-R336A-EN-C #52	Natural	6000-9000	009848	230	\$3,173
P-R406A-EN-C #50	Natural	0-2000	009219	249	\$3,590
P-R406A-EN-C #51	Natural	2000-6000	009223	249	\$3,590
P-R406A-EN-C #52	Natural	6000-9000	009849	249	\$3,590
P-R206A-EP-C #57	Propane	0-2000	009224	187	\$2,538
P-R206A-EP-C #58	Propane	2000-3000	009228	187	\$2,538
P-R206A-EP-C #59	Propane	3000-5000	009232	187	\$2,538
P-R206A-EP-C #60	Propane	5000-7000	009236	187	\$2,538
P-R266A-EP-C #57	Propane	0-2000	009225	210	\$2,784
P-R266A-EP-C #58	Propane	2000-3000	009229	210	\$2,784
P-R266A-EP-C #59	Propane	3000-5000	009233	210	\$2,784
P-R266A-EP-C #60	Propane	5000-7000	009237	210	\$2,784
P-R336A-EP-C #57	Propane	0-2000	009226	230	\$3,173
P-R336A-EP-C #58	Propane	2000-3000	009230	230	\$3,173
P-R336A-EP-C #59	Propane	3000-5000	009234	230	\$3,173
P-R336A-EP-C #60	Propane	5000-7000	009238	230	\$3,173
P-R406A-EP-C #57	Propane	0-2000	009227	249	\$3,590
P-R406A-EP-C #58	Propane	2000-3000	009231	249	\$3,590
P-R406A-EP-C #59	Propane	3000-5000	009235	249	\$3,590
P-R406A-EP-C #60	Propane	5000-7000	009239	249	\$3,590
Outdoor top is standard; add for indoor top.					
R206	Indoor stack top		009838	10	\$102
R266	Indoor stack top		009839	15	\$102
R336	Indoor stack top		009840	15	\$102
R406	Indoor stack top		009841	20	\$102
206-406	Hose adapter 2" MPT to 1 1/2" hose (set of 2)		006490		\$22

For Parts See Page 134

# DIGITAL CUPRO-NICKEL

- LCD digital display provides accurate temperature
- Monitors operational status as well as service diagnostics
- High-wind resistance
- Corrosion-resistant headers
- Unitherm governor prevents condensation
- PVC plumbing directly to the heater
- Small footprint
- Can be installed on combustible surface
- Cupro-nickel tubing

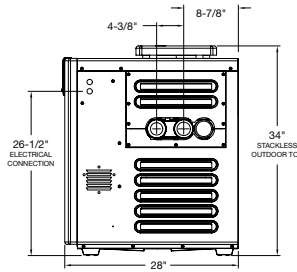
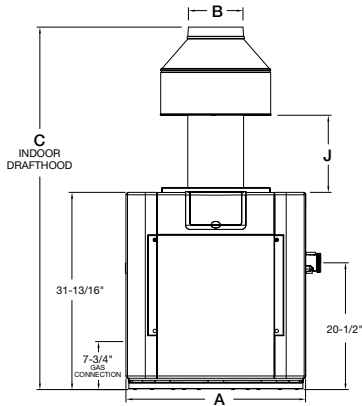


Heater Model	BTUH Input (000)	(A) Cabinet Width	(B) Flue Diameter	(C) Indoor Draft Hood	(J) Minimum	Gas Conn.	Water Conn.	Shipping Weights (lbs)	
								w/ Polymer Headers and Stackless Top	Indoor Draft Hood
R206A	199.5	20"	6"	61-5/8"	11-7/8"	3/4"	2"	187	12
R266A	266.0	23"	7"	62"	11"	3/4"	2"	210	15
R336A	332.5	26"	8"	63"	10-5/8"	3/4"	2"	230	17
R406A	399.0	29"	9"	64-1/2"	12-5/16"	3/4"	2"	249	20

MODEL	GAS	ELEVATION (feet)	PART NUMBER	SHIPPING WEIGHT (LBS)	LIST PRICE
P-R206A-EN-X #50	Natural	0-2000	010102	187	\$2,816
P-R206A-EN-X #51	Natural	2000-6000	010106	187	\$2,816
P-R206A-EN-X #52	Natural	6000-9000	010110	187	\$2,816
P-R266A-EN-X #50	Natural	0-2000	010103	210	\$3,065
P-R266A-EN-X #51	Natural	2000-6000	010107	210	\$3,065
P-R266A-EN-X #52	Natural	6000-9000	010111	210	\$3,065
P-R336A-EN-X #50	Natural	0-2000	010104	230	\$3,447
P-R336A-EN-X #51	Natural	2000-6000	010108	230	\$3,447
P-R336A-EN-X #52	Natural	6000-9000	010112	230	\$3,447
P-R406A-EN-X #50	Natural	0-2000	010105	249	\$3,869
P-R406A-EN-X #51	Natural	2000-6000	010109	249	\$3,869
P-R406A-EN-X #52	Natural	6000-9000	010113	249	\$3,869
P-R206A-EP-X #57	Propane	0-2000	010114	187	\$2,816
P-R206A-EP-X #58	Propane	2000-3000	010118	187	\$2,816
P-R206A-EP-X #59	Propane	3000-5000	010122	187	\$2,816
P-R206A-EP-X #60	Propane	5000-7000	010126	187	\$2,816
P-R266A-EP-X #57	Propane	0-2000	010115	210	\$3,065
P-R266A-EP-X #58	Propane	2000-3000	010119	210	\$3,065
P-R266A-EP-X #59	Propane	3000-5000	010123	210	\$3,065
P-R266A-EP-X #60	Propane	5000-7000	010127	210	\$3,065
P-R336A-EP-X #57	Propane	0-2000	010116	230	\$3,447
P-R336A-EP-X #58	Propane	2000-3000	010120	230	\$3,447
P-R336A-EP-X #59	Propane	3000-5000	010124	230	\$3,447
P-R336A-EP-X #60	Propane	5000-7000	010128	230	\$3,447
P-R406A-EP-X #57	Propane	0-2000	010117	249	\$3,869
P-R406A-EP-X #58	Propane	2000-3000	010121	249	\$3,869
P-R406A-EP-X #59	Propane	3000-5000	010125	249	\$3,869
P-R406A-EP-X #60	Propane	5000-7000	010129	249	\$3,869
Outdoor top is standard; add for indoor top.					
R206	Indoor stack top		009838	10	\$102
R266	Indoor stack top		009839	15	\$102
R336	Indoor stack top		009840	15	\$102
R406	Indoor stack top		009841	20	\$102
206-406	Hose adapter 2" MPT to 1 1/2" hose (set of 2)		006490		\$22

# DIGITAL LOW NO<sub>x</sub>

- LCD digital display provides accurate temperature
- Monitors operational status as well as service diagnostics
- High-wind resistance
- Corrosion-resistant headers
- Unitherm governor prevents condensation
- PVC plumbing directly to the heater
- Small footprint
- Can be installed on combustible surface
- Complies with most NO<sub>x</sub> requirements



Heater Model	BTUH Input (000)	(A) Cabinet Width	(B) Flue Diameter	(C) Indoor Draft Hood	(J) Minimum	Gas Conn.	Water Conn.	Shipping Weights (lbs)	
								w/ Polymer Headers and Stackless Top	Indoor Draft Hood
R207A	199.5	20"	6"	55-5/8"	12"	3/4"	2"	174	12
R267A	266.0	23"	7"	56"	11-1/8"	3/4"	2"	197	15
R337A	332.5	26"	8"	57"	10-3/4"	3/4"	2"	219	17
R407A	399.0	29"	9"	58-1/2"	12-1/2"	3/4"	2"	237	20

MODEL	GAS	ELEVATION (feet)	PART NUMBER	SHIPPING WEIGHT (LBS)	LIST PRICE
P-R207AL-EN-C #26	Natural	0-5000	009240	174	\$2,846
P-R267AL-EN-C #26	Natural	0-5000	009241	197	\$3,162
P-R337AL-EN-C #26	Natural	0-5000	009242	219	\$3,551
P-R407AL-EN-C #26	Natural	0-5000	009243	237	\$3,963

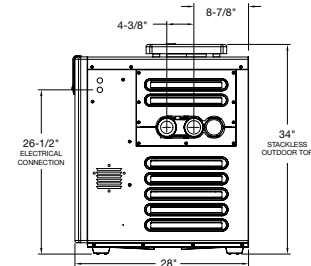
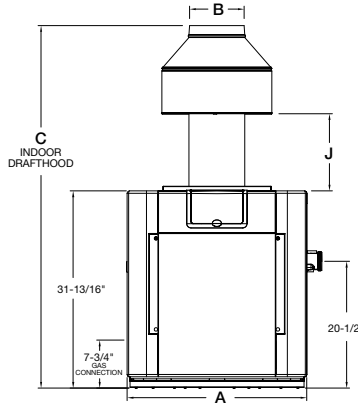
Not available for Propane gas.

Outdoor top is standard; add for indoor top.

MODEL	DESCRIPTION	PART NUMBER	WEIGHT (LBS)	PRICE
R207	Indoor stack top	009838	10	\$102
R267	Indoor stack top	009839	15	\$102
R337	Indoor stack top	009840	15	\$102
R407	Indoor stack top	009841	20	\$102
207-407	Hose adapter 2" MPT to 1 1/2" hose (set of 2)	006490		\$22

# DIGITAL LOW NO<sub>x</sub> CUPRO-NICKEL

- LCD digital display provides accurate temperature
- Monitors operational status as well as service diagnostics
- High-wind resistance
- Corrosion-resistant headers
- Unitherm governor prevents condensation
- PVC plumbing directly to the heater
- Small footprint
- Can be installed on combustible surface
- Complies with most NO<sub>x</sub> requirements



Heater Model	BTUH Input (000)	(A) Cabinet Width	(B) Flue Diameter	(C) Indoor Draft Hood	(J) Minimum	Gas Conn.	Water Conn.	Shipping Weights (lbs)	
								w/ Polymer Headers and Stackless Top	Indoor Draft Hood
R207A	199.5	20"	6"	55-5/8"	12"	3/4"	2"	174	12
R267A	266.0	23"	7"	56"	11-1/8"	3/4"	2"	197	15
R337A	332.5	26"	8"	57"	10-3/4"	3/4"	2"	219	17
R407A	399.0	29"	9"	58-1/2"	12-1/2"	3/4"	2"	237	20

MODEL	GAS	ELEVATION (feet)	PART NUMBER	SHIPPING WEIGHT (LBS)	LIST PRICE
P-R207A-EN-X #26	Natural	0-5000	010130	174	\$3,126
P-R267A-EN-X #26	Natural	0-5000	010131	197	\$3,450
P-R337A-EN-X #26	Natural	0-5000	010132	219	\$3,831
P-R407A-EN-X #26	Natural	0-5000	010133	237	\$4,244

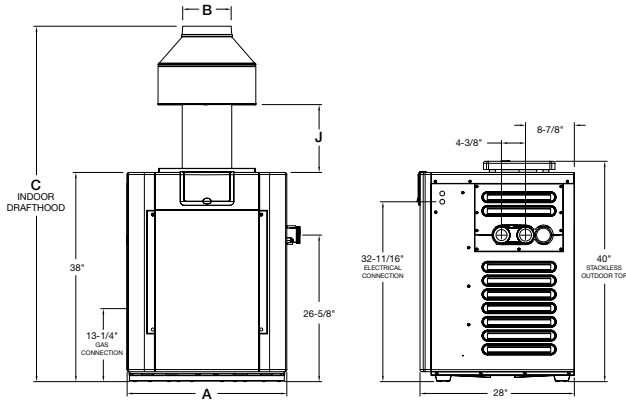
Not available for Propane gas.

Outdoor top is standard; add for indoor top.

R207	Indoor stack top	009838	10	\$102
R267	Indoor stack top	009839	15	\$102
R337	Indoor stack top	009840	15	\$102
R407	Indoor stack top	009841	20	\$102
207-407	Hose adapter 2" MPT to 1 1/2" hose (set of 2)	006490		\$22

# MILLIVOLT

- High-wind resistance
- Corrosion-resistant headers
- PVC plumbing directly to the heater
- Small footprint
- Unitherm governor prevents condensation
- Completely field serviceable
- Non-stop performance



Heater Model	BTUH Input (000)	(A) Cabinet Width	(B) Flue Diameter	(C) Indoor Draft Hood	(J) Minimum	Gas Conn.	Water Conn.	Shipping Weights (lbs)	
								w/ Polymer Headers and Stackless Top	Indoor Draft Hood
R206A	199.5	20"	6"	61-5/8"	11-7/8"	3/4"	2"	187	12
R266A	266.0	23"	7"	62"	11"	3/4"	2"	210	15
R336A	332.5	26"	8"	63"	10-5/8"	3/4"	2"	230	17
R406A	399.0	29"	9"	64-1/2"	12-5/16"	3/4"	2"	249	20

MODEL	GAS	ELEVATION (feet)	PART NUMBER	SHIPPING WEIGHT (LBS)	LIST PRICE
P-R206A-MN-C #50	Natural	0-2000	009192	187	\$2,423
P-R206A-MN-C #51	Natural	2000-6000	009196	187	\$2,423
P-R206A-MN-C #52	Natural	6000-9000	009842	187	\$2,423
P-R266A-MN-C #50	Natural	0-2000	009193	210	\$2,651
P-R266A-MN-C #51	Natural	2000-6000	009197	210	\$2,651
P-R266A-MN-C #52	Natural	6000-9000	009843	210	\$2,651
P-R336A-MN-C #50	Natural	0-2000	009194	230	\$3,057
P-R336A-MN-C #51	Natural	2000-6000	009198	230	\$3,057
P-R336A-MN-C #52	Natural	6000-9000	009844	230	\$3,057
P-R406A-MN-C #50	Natural	0-2000	009195	249	\$3,480
P-R406A-MN-C #51	Natural	2000-6000	009199	249	\$3,480
P-R406A-MN-C #52	Natural	6000-9000	009845	249	\$3,480
P-R206A-MP-C #57	Propane	0-2000	009200	187	\$2,423
P-R206A-MP-C #58	Propane	2000-3000	009204	187	\$2,423
P-R206A-MP-C #59	Propane	3000-5000	009208	187	\$2,423
P-R206A-MP-C #60	Propane	5000-7000	009212	187	\$2,423
P-R266A-MP-C #57	Propane	0-2000	009201	210	\$2,651
P-R266A-MP-C #58	Propane	2000-3000	009205	210	\$2,651
P-R266A-MP-C #59	Propane	3000-5000	009209	210	\$2,651
P-R266A-MP-C #60	Propane	5000-7000	009213	210	\$2,651
P-R336A-MP-C #57	Propane	0-2000	009202	230	\$3,057
P-R336A-MP-C #58	Propane	2000-3000	009206	230	\$3,057
P-R336A-MP-C #59	Propane	3000-5000	009210	230	\$3,057
P-R336A-MP-C #60	Propane	5000-7000	009214	230	\$3,057
P-R406A-MP-C #57	Propane	0-2000	009203	249	\$3,480
P-R406A-MP-C #58	Propane	2000-3000	009207	249	\$3,480
P-R406A-MP-C #59	Propane	3000-5000	009211	249	\$3,480
P-R406A-MP-C #60	Propane	5000-7000	009215	249	\$3,480

Outdoor top is standard; add for indoor top.

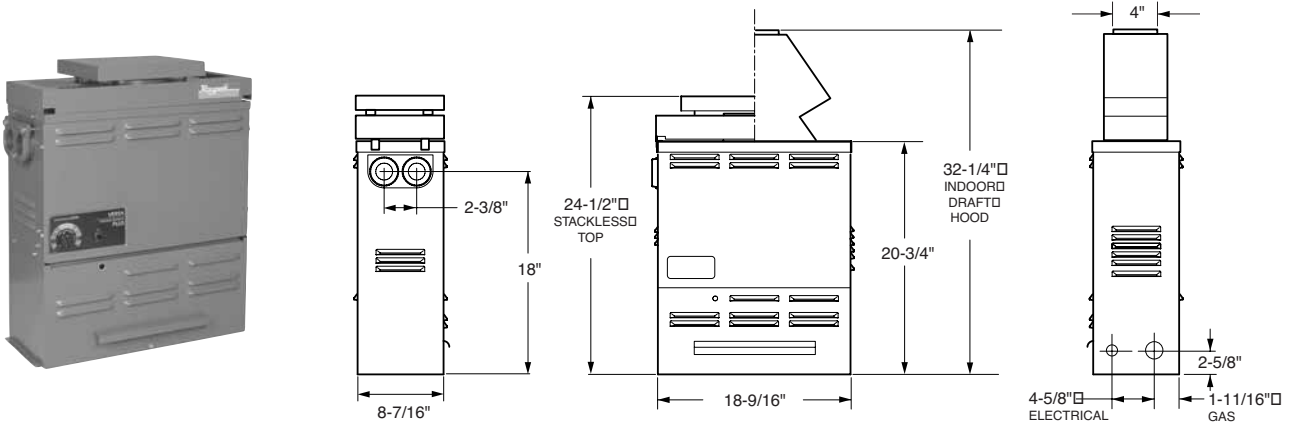
R206	Indoor stack top	009838	12	\$102
R266	Indoor stack top	009839	15	\$102
R336	Indoor stack top	009840	17	\$102
R406	Indoor stack top	009841	20	\$102
206-406	Hose adapter 2" MPT to 1 1/2" hose (set of 2)	006490		\$22

For Parts See Page 134



# VERSA 055

- 50,000 BTU Input
- Natural or propane gas
- Indoor/outdoor installation
- Electronic ignition or millivolt pilot
- Copper fin tube heat exchanger design
- Small footprint
- Unitherm governor prevents condensation

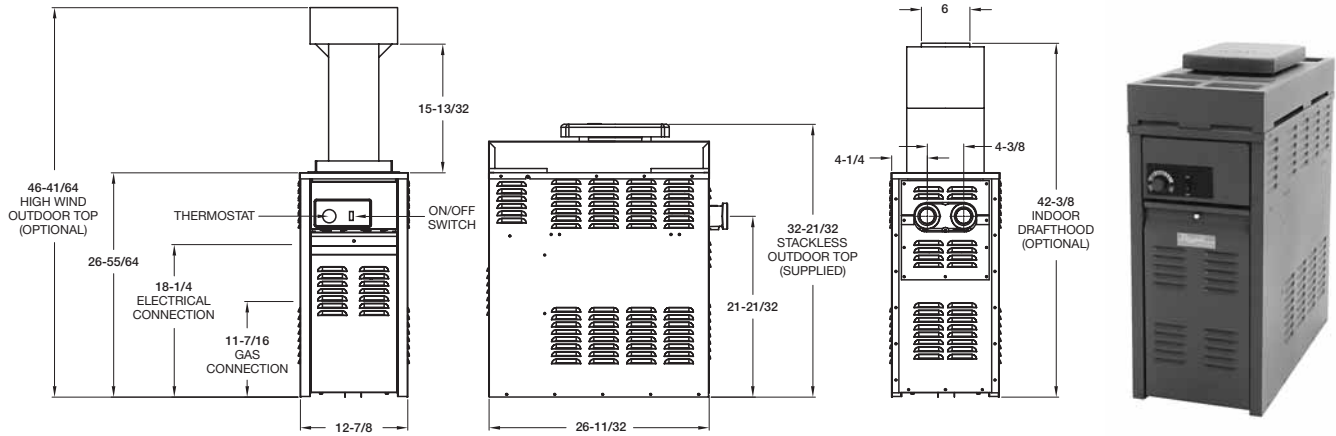


Model	BTU Input (000)	Water Connections	Gas Connections	Castings
B-055	50	1-1/2'	3/4'	Bronze

MODEL	GAS	ELEVATION (feet)	PART NUMBER	SHIPPING WEIGHT (LBS)	LIST PRICE
<b>BRONZE HEADERS WITH MILLIVOLT PILOT</b>					
B-R055B-MN #52	Natural	0-3000	004682	55	\$1,308
B-R055B-MN #53	Natural	3000-8000	004683	55	\$1,308
B-R055B-MN #54	Natural	8000-10,000	004708	55	\$1,308
B-R055B-MP #62	Propane	0-2000	004684	55	\$1,308
B-R055B-MP #63	Propane	2000-4000	008642	55	\$1,308
B-R055B-MP #64	Propane	4000-6000	004685	55	\$1,308
B-R055B-MP #65	Propane	6000-8000	008643	55	\$1,308
<b>BRONZE HEADERS WITH ELECTRONIC PILOT</b>					
B-R055B-EN #52	Natural	0-3000	004686	55	\$1,415
B-R055B-EN #53	Natural	3000-8000	008644	55	\$1,415
B-R055B-EP #62	Propane	0-2000	004687	55	\$1,415
B-R055B-EP #63	Propane	2000-4000	008645	55	\$1,415
B-R055B-EP #64	Propane	4000-6000	008646	55	\$1,415
B-R055B-EP #65	Propane	6000-8000	008647	55	\$1,415
Heater requires indoor or outdoor top listed below.					
055B	Outdoor top		003709	5	\$51
055B	Indoor stack top		003722	5	\$72
055B	Hose adapter 1 1/2" MPT to 1 1/2" hose (set of 2)		006495		\$22

# VERSA 130

- Spa or above-ground pool heater
- 130,000 BTU Input
- Natural or propane gas
- Completely field-serviceable
- Small footprint
- Unitherm governor prevents condensation



Model	BTU Input (000)	Water Connections		Gas Connections	Castings
P-130	130	1-1/2'	2'	3/4'	Polymer

MODEL	GAS	ELEVATION (feet)	PART NUMBER	SHIPPING WEIGHT (LBS)	LIST PRICE
<b>POLYMER HEADERS WITH MILLIVOLT PILOT - COPPER TUBES</b>					
P-R130A-MN-C #51	Natural	0-3000	011465	110	\$1,710
P-R130A-MN-C #52	Natural	3000-7000	011466	110	\$1,710
P-R130A-MP-C #59	Propane	0-2000	011467	110	\$1,710
P-R130A-MP-C #60	Propane	2000-3000	011468	110	\$1,710
P-R130A-MP-C #61	Propane	3000-5000	011469	110	\$1,710
P-R130A-MP-C #62	Propane	5000-6000	011470	110	\$1,710
P-R130A-MP-C #63	Propane	6000-8000	011471	110	\$1,710
<b>POLYMER HEADERS WITH ELECTRONIC PILOT - COPPER TUBES</b>					
P-R130A-EN-C #51	Natural	0-3000	011472	110	\$1,710
P-R130A-EN-C #52	Natural	3000-7000	011473	110	\$1,710
P-R130A-EP-C #59	Propane	0-2000	011474	110	\$1,710
P-R130A-EP-C #60	Propane	2000-3000	011475	110	\$1,710
P-R130A-EP-C #61	Propane	3000-5000	011476	110	\$1,710
P-R130A-EP-C #62	Propane	5000-6000	011477	110	\$1,710
P-R130A-EP-C #63	Propane	6000-8000	011478	110	\$1,710
<b>POLYMER HEADERS WITH ELECTRONIC PILOT - CUPRO NICKEL TUBES</b>					
P-R130A-EN-X #51	Natural	0-3000	011479	110	\$1,964
P-R130A-EN-X #52	Natural	3000-7000	011480	110	\$1,964
P-R130A-EP-X #59	Propane	0-2000	011481	110	\$1,964
P-R130A-EP-X #60	Propane	2000-3000	011482	110	\$1,964
P-R130A-EP-X #61	Propane	3000-5000	011483	110	\$1,964
P-R130A-EP-X #62	Propane	5000-6000	011484	110	\$1,964
P-R130A-EP-X #63	Propane	6000-8000	011485	110	\$1,964

Outdoor is Standard (shipped with unit)  
Indoor stack top

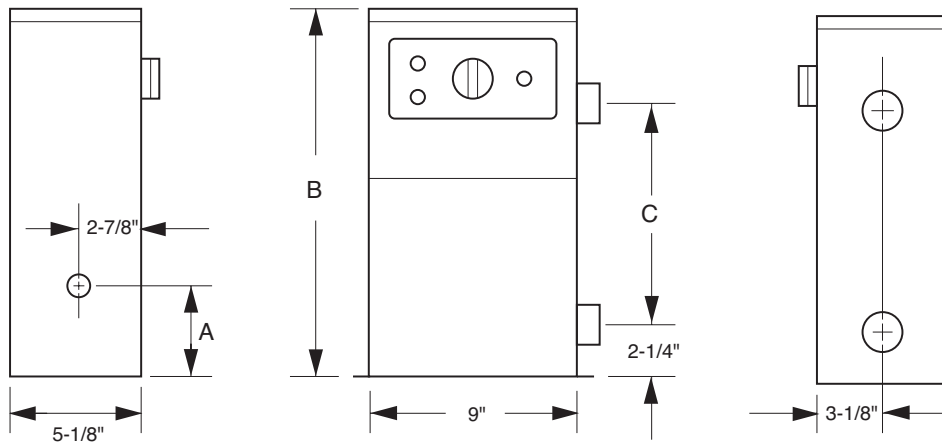
STANDARD  
003723

SHIPPED LOOSE INSIDE BOX 130  
10 \$75



# SPA PAK HEATER ELS 552/1102

- 5.5 and 11 kilowatt models
- 240-volt single-phase electrical
- 100% copper and bronze waterways
- Compact design and small footprint
- Long lasting Incoloy heating element
- Full size - full flow 1-1/2" plumbing connections
- U.L. listed for indoor/outdoor installations

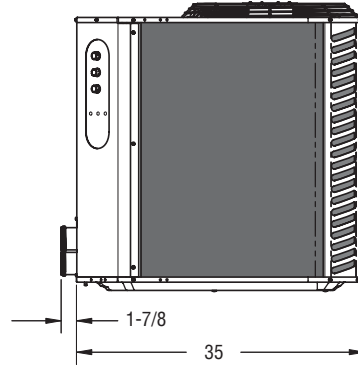
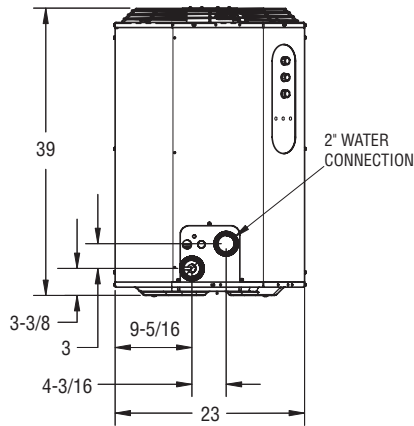


Model	BTUH (INPUT)	A	B	C	Water Conn.
552	18,767	3-7/8"	16	8	1-1/2"
1102	37,534	10-7/8"	23	15	1-1/2"

MODEL	VOLTAGE	PART NUMBER	SHIPPING WEIGHT (LBS)	LIST PRICE
ELS R-552-2	240V/60Hz	001642	20	\$837
ELS R-1102-2	240V/60Hz	001640	25	\$932

# PROFESSIONAL SERIES HEAT PUMP 5100ti

- Scroll compressor
- 208/230V single-phase electrical
- Dual mechanical thermostats
- 2" PVC connection unions supplied
- L.E.D. operational status lights



ALL DIMENSIONS ARE IN INCHES



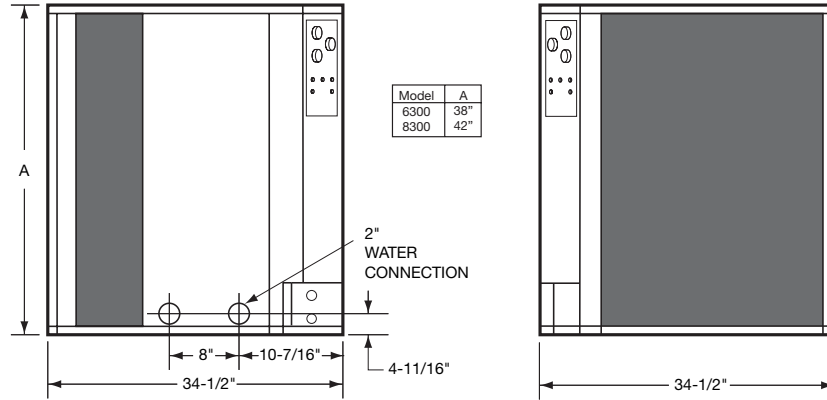
MODEL	RHP 5100ti
Heat BTUH Output	100,000
80°F Air 80% RH 80°F Water	
C.O.P.	4.9
Compressor	Copeland Scroll
Refrigerant	R-22
Voltage	208/230V-1Ph-60Hz
Minimum Circuit Ampacity	38
Maximum Breaker Size (Amps)	50
Electrical Input (kw)	6.0
Heat Exchanger	Titanium
Water Flow (gpm)	25-80
Shipping Weight (lbs.)	325

MODEL	BTU	PART NUMBER	SHIPPING WEIGHT (LBS)	LIST PRICE
RHP 5100ti	100,000	011654	325	\$5,452

Scroll compressor, dual mechanical thermostat, Ti heat exchanger, professional cabinet.

# CLASSIC SERIES HEAT PUMP 6300ti, 6303ti, 8300ti, 8303ti

- Scroll compressor
- 208/230V single-phase electrical
- Dual thermostats
- 2" PVC connection unions supplied
- L.E.D. operational status lights



MODEL	RHP 6300ti	RHP 8300ti
Heat BTUH Output	115,000	137,000
80°F Air 80% RH 80°F Water		
C.O.P.	5.5	6.1
Compressor	Copeland Scroll	
Refrigerant	R-22	R-22
Voltage	208/230V-1Ph-60Hz	
Minimum Circuit Ampacity	40	43
Maximum Breaker Size (Amps)	60	60
Electrical Input (kw)	6.1	6.6
Heat Exchanger	Titanium	
Water Flow (gpm)	25-80	25-80
Shipping Weight (lbs.)	325	355

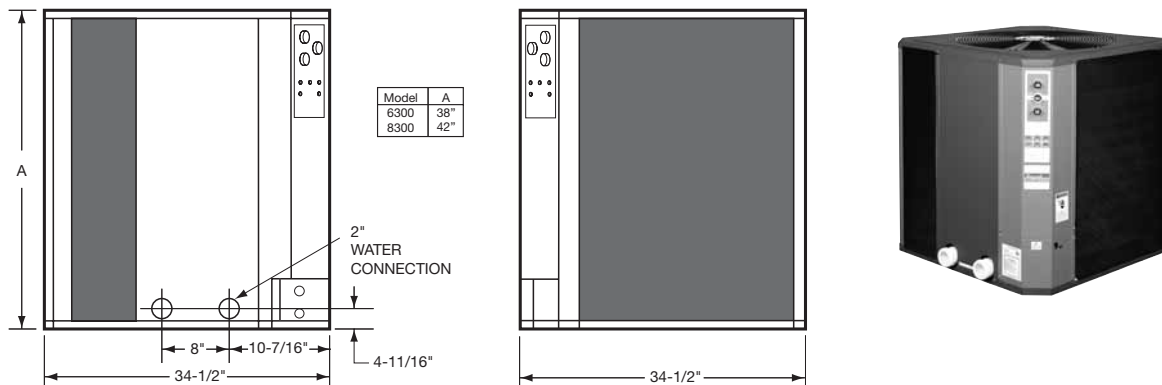
MODEL	BTU	PART NUMBER	SHIPPING WEIGHT (LBS)	LIST PRICE
RHP 6300ti	115,000	011656	325	\$6,283
Scroll compressor, dual mechanical thermostat, Ti heat exchanger, classic cabinet.				
RHP 8300ti	137,000	011657	355	\$7,335
Scroll compressor, dual mechanical thermostat, Ti heat exchanger, classic cabinet.				
<b>THREE PHASE, 208/230 VOLT, 60 CYCLE</b>				
RHP 6303tiPD	115,000	011664	325	\$7,082
Scroll compressor, dual mechanical thermostat, Ti heat exchanger, classic cabinet, 3-phase. Power defrost-Unit can heat when air temps are low without freezing up.				
RHP 8303tiPD	137,000	011666	355	\$8,134
Scroll compressor, dual mechanical thermostat, Ti heat exchanger, classic cabinet, 3-phase. Power defrost-Unit can heat when air temps are low without freezing up.				

# SPECIALTY SERIES HEAT PUMP

## 6300tiHC, 6300tiHS, 6300tiLH, 6300tiLHHC, 6300tiPD, 6303tiHC, 8300tiPD

RESIDENTIAL

- Scroll compressor
- Low humidity models
- 208/230V single-phase electrical STD
- 2" PVC connection unions supplied
- Dual thermostats
- L.E.D. operational status lights
- Heat/cool models



	Power Defrost Models		Speciality Models		
MODEL	RHP 6300tiPD	RHP 8300tiPD	RHP 6300tiHC	RHP 6300tiLH	RHP 6300tiLHHC
Heat BTUH Output 80°F Air 80% RH 80°F Water	115,000	137,000	115,000	115,000	115,000
Cool BTUH Output	N/A	N/A	83,000	N/A	83,000
C.O.P.	5.5	6.1	5.5	5.5	5.5
Compressor	Copeland Scroll		Copeland Scroll		
Refrigerant	R-22	R-22	R-22	R-22	R-22
Voltage	208/230V-1Ph-60Hz		208/230V-1Ph-60Hz		
Minimum Circuit Ampacity	40	43	40	40	40
Maximum Breaker Size (Amps)	60	60	60	60	60
Electrical Input (kw)	6.1	6.6	6.1	6.1	6.1
Heat Exchanger	Titanium		Titanium		
Water Flow (gpm)	25-80	25-80	25-80	25-80	25-80
Shipping Weight (lbs.)	325	355	345	355	355

MODEL	BTU	PART NUMBER	SHIPPING WEIGHT (LBS)	LIST PRICE
RHP 6300tiHC	115,000 heating/83,000 cooling	011658	345	\$7,867
Unit can heat as well as cool the water. Perfect for hot climates. Scroll compressor, reversing valve for cooling, digital thermostat, Ti heat exchanger, classic cabinet.				
RHP 6300tiHS	115,000	011661	325	\$6,825
Unit can be wired in conjunction with a gas fired pool heater. Allows unit to automatically switch to gas heat when air temp is too cold for the heat pump to operate. Scroll compressor, digital thermostat, Ti heat exchanger, classic cabinet.				
RHP 6300tiLH	115,000	011659	355	\$7,548
Unit is specifically designed for dry/low humidity climates. Scroll compressor, dual evaporator coil, dual mechanical thermostat, Ti heat exchanger, classic cabinet.				
RHP 6300tiLHHC	115,000/83,000 cooling	011660	355	\$8,145
Unit is specifically designed for dry/low humidity climates. Unit can heat as well as cool. Scroll compressor, dual evaporator coil, reversing valve for cooling, digital thermostat, Ti heat exchanger, classic cabinet.				
RHP 6300tiPD	115,000	011662	325	\$6,422
Unit can heat when air temps are low without freezing up. Perfect for cooler climates. Scroll compressor, power defrost, mechanical thermostat, Ti heat exchanger, classic cabinet.				
RHP 8300tiPD	137,000 heating	011663	355	\$7,474
Unit can heat when air temps are low without freezing up. Perfect for cooler climates. Scroll compressor, power defrost, mechanical thermostat, Ti heat exchanger, classic cabinet.				
<b>THREE PHASE, 208/230 VOLT, 60 CYCLE</b>				
RHP 6303tiHC	115,000	011665	345	\$8,527
Scroll compressor, digital thermostat, Ti heat exchanger, classic cabinet, 3-phase.				

# OPTIONS

<u>MODEL</u>	<u>DESCRIPTION</u>	<u>PART NUMBER</u>	<u>SHIPPING WEIGHT (lbs)</u>	<u>LIST PRICE</u>
<b>A-15: PRESSURE RELIEF VALVES</b>				
206/207	125 lbs	060354	1	\$40
266-407	125 lbs	010231	1	\$40

### D-2: POWER VENT - INDOOR

206-267	IID ONLY	009832		\$771
336-407	IID ONLY	009833		\$776

Note: Power vents are shipped loose for field installation and wiring. Factory wired for 240V operation.

### D-10: RESIDENTIAL POOL HEATER INDOOR DRAFTHOODS

055	INDOOR TOP	003722	5	\$72
130	INDOOR TOP	003723	10	\$75
206/207	INDR STACK TOP 6"	009838	10	\$102
266/267	INDR STACK TOP 7"	009839	15	\$102
336/337	INDR STACK TOP 8"	009840	15	\$102
406/407	INDR STACK TOP 9"	009841	20	\$102

### D-11: RESIDENTIAL POOL HEATER OUTDOOR STACKLESS TOPS

055	OUTDOOR TOP	003709	5	\$51
130	OUTDOOR TOP	STANDARD	SHIPPED LOOSE INSIDE BOX	
055	HIGHWIND TOP	N/A	N/A	N/A
206/207	HIGHWIND TOP	009834	10	\$102
266/267	HIGHWIND TOP	009835	15	\$102
336/337	HIGHWIND TOP	009836	15	\$102
406/407	HIGHWIND TOP	009837	20	\$102

### HOSE ADAPTERS:

55 CI	1-1/2" MPT TO 1 1/2" HOSE	006495	SET OF 2	\$22
206-407	2" MPT TO 1 1/2" HOSE	006490	SET OF 2	\$22

### POOLSTAT COVER/LOCK KIT

55		006492	3	\$69
206-407		009505	3	\$69
Heat Pump Classic Series		009540	3	\$69

### X-10: RESTRAINT BRACKET - HURRICANE TIE DOWN

206A-406A, 207A-407A		011636		\$8
----------------------	--	--------	--	-----

## SECTION 2

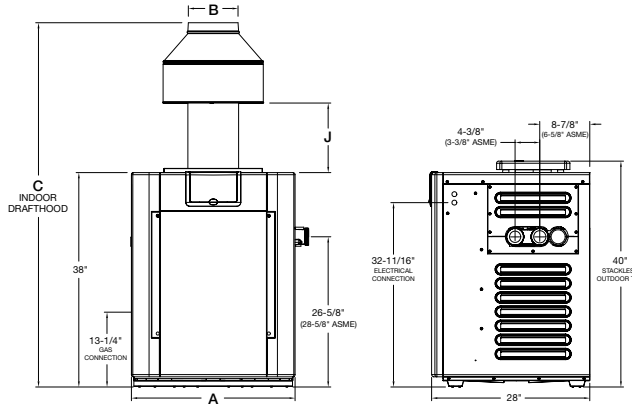
DIGITAL ASME . . . . .	16
DIGITAL ASME Cupro-Nickel . . . . .	17
DIGITAL LOW NOx ASME . . . . .	18
DIGITAL LOW NOx ASME Cupro-Nickel . . . . .	19
MILLIVOLT ASME . . . . .	20
Raytherm 514-824 . . . . .	21
Raytherm 926-1178 (Outdoor) . . . . .	23
Raytherm 962-1223 (Indoor) . . . . .	24
Raytherm 1287-1758 (Outdoor) . . . . .	25
Raytherm 1336-1826 (Indoor) . . . . .	26
Raytherm 2100-4001 (Indoor) . . . . .	27
Raytherm Options . . . . .	28
Hi Delta 302-402 . . . . .	32
Hi Delta 502-902 . . . . .	33
Hi Delta 992-1532 . . . . .	34
Hi Delta 1802-2342 . . . . .	35
Hi Delta 502-902 Cold Run . . . . .	36
Hi Delta 992-1532 Cold Run . . . . .	37
Hi Delta 1802-2342 Cold Run . . . . .	38
Hi Delta Rack Kit . . . . .	39
Hi Delta CHX Configurations . . . . .	43
Hi Delta Options . . . . .	49
MVB 504-2004 . . . . .	53
MVB 504-2004 Cold Run . . . . .	54
MVB Options . . . . .	55



# DIGITAL ASME

- Digital LCD for temperature control and heater settings
- 2" glass-lined Cast Iron headers
- Microprocessor controls diagnostic readout and continuously monitors operational status
- Unitherm governor eliminates condensation
- Small footprint
- High-wind reliability
- 125# pressure relief valve
- ANSI Z21.56 design certified

COMMERCIAL



Shipping Weights (lbs)  
w/ Cast Iron Headers and Stackless

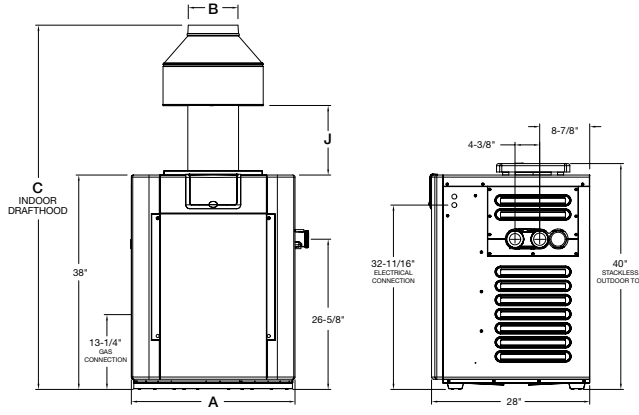
Heater Model	BTUH Input (000)	(A) Cabinet Width	(B) Flue Diameter	(C) Indoor Drafthood	(J) Minimum	Gas Conn.	Water Conn.	Headers Top	Indoor Drafthood
R206A	199.5	20"	6"	61-5/8"	11-7/8"	3/4"	2"	206	12
R266A	266.0	23"	7"	62"	11"	3/4"	2"	229	15
R336A	332.5	26"	8"	63"	10-5/8"	3/4"	2"	249	17
R406A	399.0	29"	9"	64-1/2"	12-5/16"	3/4"	2"	268	20

MODEL	GAS	ELEVATION (feet)	PART NUMBER	SHIPPING WT (LBS)	LIST PRICE
C-R206A-EN-C #50	Natural	0-2000	009268	206	\$2,889
C-R206A-EN-C #51	Natural	2000-6000	009272	206	\$2,889
C-R206A-EN-C #52	Natural	6000-9000	009854	206	\$2,889
C-R266A-EN-C #50	Natural	0-2000	009269	229	\$3,137
C-R266A-EN-C #51	Natural	2000-6000	009273	229	\$3,137
C-R266A-EN-C #52	Natural	6000-9000	009855	229	\$3,137
C-R336A-EN-C #50	Natural	0-2000	009270	249	\$3,519
C-R336A-EN-C #51	Natural	2000-6000	009274	249	\$3,519
C-R336A-EN-C #52	Natural	6000-9000	009856	249	\$3,519
C-R406A-EN-C #50	Natural	0-2000	009271	268	\$3,940
C-R406A-EN-C #51	Natural	2000-6000	009275	268	\$3,940
C-R406A-EN-C #52	Natural	6000-9000	009857	268	\$3,940
C-R206A-EP-C #57	Propane	0-2000	009276	206	\$2,889
C-R206A-EP-C #58	Propane	2000-3000	009280	206	\$2,889
C-R206A-EP-C #59	Propane	3000-5000	009284	206	\$2,889
C-R206A-EP-C #60	Propane	5000-7000	009288	206	\$2,889
C-R266A-EP-C #57	Propane	0-2000	009277	229	\$3,137
C-R266A-EP-C #58	Propane	2000-3000	009281	229	\$3,137
C-R266A-EP-C #59	Propane	3000-5000	009285	229	\$3,137
C-R266A-EP-C #60	Propane	5000-7000	009289	229	\$3,137
C-R336A-EP-C #57	Propane	0-2000	009278	249	\$3,519
C-R336A-EP-C #58	Propane	2000-3000	009282	249	\$3,519
C-R336A-EP-C #59	Propane	3000-5000	009286	249	\$3,519
C-R336A-EP-C #60	Propane	5000-7000	009290	249	\$3,519
C-R406A-EP-C #57	Propane	0-2000	009279	268	\$3,940
C-R406A-EP-C #58	Propane	2000-3000	009283	268	\$3,940
C-R406A-EP-C #59	Propane	3000-5000	009287	268	\$3,940
C-R406A-EP-C #60	Propane	5000-7000	009291	268	\$3,940
Outdoor top is standard; add for indoor top.					
R206	Indoor stack top		009838	10	\$102
R266	Indoor stack top		009839	15	\$102
R336	Indoor stack top		009840	15	\$102
R406	Indoor stack top		009841	20	\$102

For options, see page 14.

# DIGITAL ASME CUPRO-NICKEL

- Digital LCD for temperature control and heater settings
- 2" glass-lined Cast Iron headers
- Microprocessor controls diagnostic readout and continuously monitors operational status
- Unitherm governor prevents condensation
- PVC plumbing directly to the heater
- Small footprint
- Can be installed on combustible surface
- Cupro-nickel tubing



COMMERCIAL

Heater Model	BTUH Input (000)	(A) Cabinet Width	(B) Flue Diameter	(C) Indoor Draft Hood	(J) Indoor Draft Hood Minimum	Gas Conn.	Water Conn.	Shipping Weights (lbs)	
								w/ Polymer Headers and Stackless Top	Indoor Draft Hood
R206A	199.5	20"	6"	61-5/8"	11-7/8"	3/4"	2"	206	12
R266A	266.0	23"	7"	62"	11"	3/4"	2"	229	15
R336A	332.5	26"	8"	63"	10-5/8"	3/4"	2"	249	17
R406A	399.0	29"	9"	64-1/2"	12-5/16"	3/4"	2"	268	20

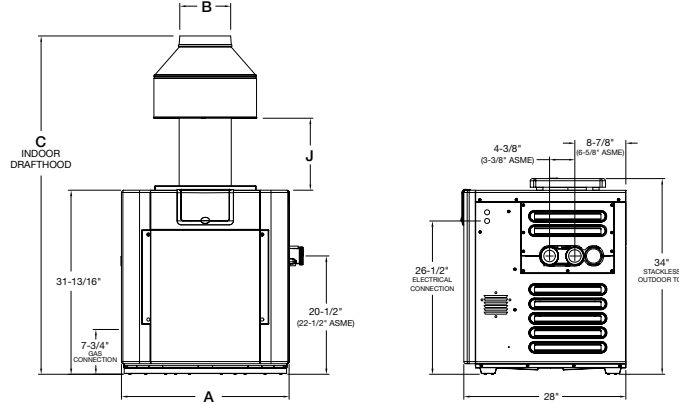
MODEL	GAS	ELEVATION (feet)	PART NUMBER	SHIPPING WEIGHT (LBS)	LIST PRICE
C-R206A-EN-X #50	Natural	0-2000	010198	206	\$3,177
C-R206A-EN-X #51	Natural	2000-6000	010202	206	\$3,177
C-R206A-EN-X #52	Natural	6000-9000	010206	206	\$3,177
C-R266A-EN-X #50	Natural	0-2000	010199	229	\$3,426
C-R266A-EN-X #51	Natural	2000-6000	010203	229	\$3,426
C-R266A-EN-X #52	Natural	6000-9000	010207	229	\$3,426
C-R336A-EN-X #50	Natural	0-2000	010200	249	\$3,808
C-R336A-EN-X #51	Natural	2000-6000	010204	249	\$3,808
C-R336A-EN-X #52	Natural	6000-9000	010208	249	\$3,808
C-R406A-EN-X #50	Natural	0-2000	010201	268	\$4,229
C-R406A-EN-X #51	Natural	2000-6000	010205	268	\$4,229
C-R406A-EN-X #52	Natural	6000-9000	010209	268	\$4,229
C-R206A-EP-X #57	Propane	0-2000	010210	206	\$3,177
C-R206A-EP-X #58	Propane	2000-3000	010214	206	\$3,177
C-R206A-EP-X #59	Propane	3000-5000	010218	206	\$3,177
C-R206A-EP-X #60	Propane	5000-7000	010222	206	\$3,177
C-R266A-EP-X #57	Propane	0-2000	010211	229	\$3,426
C-R266A-EP-X #58	Propane	2000-3000	010215	229	\$3,426
C-R266A-EP-X #59	Propane	3000-5000	010219	229	\$3,426
C-R266A-EP-X #60	Propane	5000-7000	010223	229	\$3,426
C-R336A-EP-X #57	Propane	0-2000	010212	249	\$3,808
C-R336A-EP-X #58	Propane	2000-3000	010216	249	\$3,808
C-R336A-EP-X #59	Propane	3000-5000	010220	249	\$3,808
C-R336A-EP-X #60	Propane	5000-7000	010224	249	\$3,808
C-R406A-EP-X #57	Propane	0-2000	010213	268	\$4,229
C-R406A-EP-X #58	Propane	2000-3000	010217	268	\$4,229
C-R406A-EP-X #59	Propane	3000-5000	010221	268	\$4,229
C-R406A-EP-X #60	Propane	5000-7000	010225	268	\$4,229
Outdoor top is standard; add for indoor top.					
R206	Indoor stack top		009838	10	\$102
R266	Indoor stack top		009839	15	\$102
R336	Indoor stack top		009840	15	\$102
R406	Indoor stack top		009841	20	\$102
206-406	Hose adapter 2" MPT to 1 1/2" hose (set of 2)		006490		\$22

For Parts See Page 134

# DIGITAL LOW NO<sub>x</sub> ASME

- Digital LCD for temperature control and heater settings
- 2" glass-lined Cast Iron headers
- Microprocessor controls diagnostic readout and continuously monitors operational status
- High-wind reliability
- 125# pressure relief valve
- ANSI Z21.56 design certified

COMMERCIAL



Heater Model	BTUH Input (000)	(A) Cabinet Width	(B) Flue Diameter	(C) Indoor Draft hood	(J) Minimum	Gas Conn.	Water Conn.	Shipping Weights (lbs)	
								w/ Cast Iron Headers and Stackless Top	Indoor Draft hood
R207A	199.5	20"	6"	55-5/8"	12"	3/4"	2"	193	12
R267A	266.0	23"	7"	56"	11-1/8"	3/4"	2"	216	15
R337A	332.5	26"	8"	57"	10-3/4"	3/4"	2"	238	17
R407A	399.0	29"	9"	58-1/2"	12-1/2"	3/4"	2"	256	20

MODEL	GAS	ELEVATION (feet)	PART NUMBER	SHIPPING WEIGHT (LBS)	LIST PRICE
C-R207A-EN-C #26	Natural	0-5000	009292	193	\$3,198
C-R267A-EN-C #26	Natural	0-5000	009293	216	\$3,522
C-R337A-EN-C #26	Natural	0-5000	009294	238	\$3,901
C-R407A-EN-C #26	Natural	0-5000	009295	256	\$4,316

Not available for propane gas.

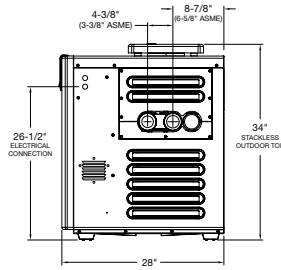
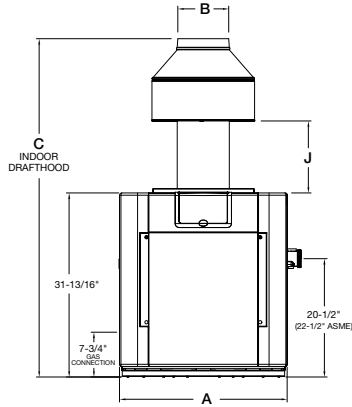
Outdoor top is standard; add for indoor top.

R207	Indoor stack top	009838	12	\$102
R267	Indoor stack top	009839	15	\$102
R337	Indoor stack top	009840	17	\$102
R407	Indoor stack top	009841	20	\$102

For options, see page 14.

# DIGITAL LOW NO<sub>x</sub> ASME CUPRO-NICKEL

- Digital LCD for temperature control and heater settings
- 2" glass-lined Cast Iron headers
- Microprocessor controls diagnostic readout and continuously monitors operational status
- High-wind reliability
- 125# pressure relief valve
- ANSI Z21.56 design certified



COMMERCIAL

Heater Model	BTUH Input (000)	(A) Cabinet Width	(B) Flue Diameter	(C) Indoor Draft Hood	(J) Minimum	Gas Conn.	Water Conn.	Shipping Weights (lbs)	
								w/ Cast Iron Headers and Stackless Top	Indoor Draft Hood
R207A	199.5	20"	6"	55-5/8"	12"	3/4"	2"	193	12
R267A	266.0	23"	7"	56"	11-1/8"	3/4"	2"	216	15
R337A	332.5	26"	8"	57"	10-3/4"	3/4"	2"	238	17
R407A	399.0	29"	9"	58-1/2"	12-1/2"	3/4"	2"	256	20

MODEL	GAS	ELEVATION (feet)	PART NUMBER	SHIPPING WEIGHT (LBS)	LIST PRICE
C-R207A-EN-X #26	Natural	0-5000	010227	193	\$3,487
C-R267A-EN-X #26	Natural	0-5000	010228	216	\$3,811
C-R337A-EN-X #26	Natural	0-5000	010229	238	\$4,190
C-R407A-EN-X #26	Natural	0-5000	010230	256	\$4,606

Not available for propane gas.

Outdoor top is standard; add for indoor top.

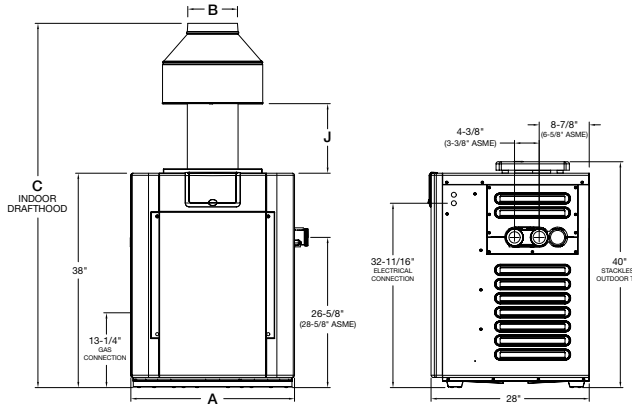
R207	Indoor stack top	009838	10	\$102
R267	Indoor stack top	009839	15	\$102
R337	Indoor stack top	009840	15	\$102
R407	Indoor stack top	009841	20	\$102

For options, see page 14.

# MILLIVOLT ASME

- 2" glass-lined Cast Iron headers
- Unitherm Plus eliminates condensation
- Small footprint
- High-wind reliability
- 125# pressure relief valve
- ANSI Z21.56 design certified

COMMERCIAL



Shipping Weights (lbs)

Heater Model	BTUH Input (000)	(A) Cabinet Width	(B) Flue Diameter	(C) Indoor Draft Hood	(J) Minimum Draft Hood	Gas Conn.	Water Conn.	and Stackless Top	Indoor Draft Hood
R206A	199.5	20"	6"	61-5/8"	11-7/8"	3/4"	2"	206	12
R266A	266.0	23"	7"	62"	11"	3/4"	2"	229	15
R336A	332.5	26"	8"	63"	10-5/8"	3/4"	2"	249	17
R406A	399.0	29"	9"	64-1/2"	12-5/16"	3/4"	2"	268	20

MODEL	GAS	ELEVATION (feet)	PART NUMBER	SHIPPING WEIGHT (LBS)	LIST PRICE
C-R206A-MN-C #50	Natural	0-2000	009244	206	\$2,776
C-R206A-MN-C #51	Natural	2000-6000	009248	206	\$2,776
C-R206A-MN-C #52	Natural	6000-9000	009850	206	\$2,776
C-R266A-MN-C #50	Natural	0-2000	009245	229	\$3,002
C-R266A-MN-C #51	Natural	2000-6000	009249	229	\$3,002
C-R266A-MN-C #52	Natural	6000-9000	009851	229	\$3,002
C-R336A-MN-C #50	Natural	0-2000	009246	249	\$3,406
C-R336A-MN-C #51	Natural	2000-6000	009250	249	\$3,406
C-R336A-MN-C #52	Natural	6000-9000	009852	249	\$3,406
C-R406A-MN-C #50	Natural	0-2000	009247	268	\$3,834
C-R406A-MN-C #51	Natural	2000-6000	009251	268	\$3,834
C-R406A-MN-C #52	Natural	6000-9000	009853	268	\$3,834
C-R206A-MP-C #57	Propane	0-2000	009252	206	\$2,776
C-R206A-MP-C #58	Propane	2000-3000	009256	206	\$2,776
C-R206A-MP-C #59	Propane	3000-5000	009260	206	\$2,776
C-R206A-MP-C #60	Propane	5000-7000	009264	206	\$2,776
C-R266A-MP-C #57	Propane	0-2000	009253	229	\$3,002
C-R266A-MP-C #58	Propane	2000-3000	009257	229	\$3,002
C-R266A-MP-C #59	Propane	3000-5000	009261	229	\$3,002
C-R266A-MP-C #60	Propane	5000-7000	009265	229	\$3,002
C-R336A-MP-C #57	Propane	0-2000	009254	249	\$3,406
C-R336A-MP-C #58	Propane	2000-3000	009258	249	\$3,406
C-R336A-MP-C #59	Propane	3000-5000	009262	249	\$3,406
C-R336A-MP-C #60	Propane	5000-7000	009266	249	\$3,406
C-R406A-MP-C #57	Propane	0-2000	009255	268	\$3,834
C-R406A-MP-C #58	Propane	2000-3000	009259	268	\$3,834
C-R406A-MP-C #59	Propane	3000-5000	009263	268	\$3,834
C-R406A-MP-C #60	Propane	5000-7000	009267	268	\$3,834

Outdoor top is standard; add for indoor top.

R206	Indoor stack top	009838	10	\$102
R266	Indoor stack top	009839	15	\$102
R336	Indoor stack top	009840	15	\$102
R406	Indoor stack top	009841	20	\$102

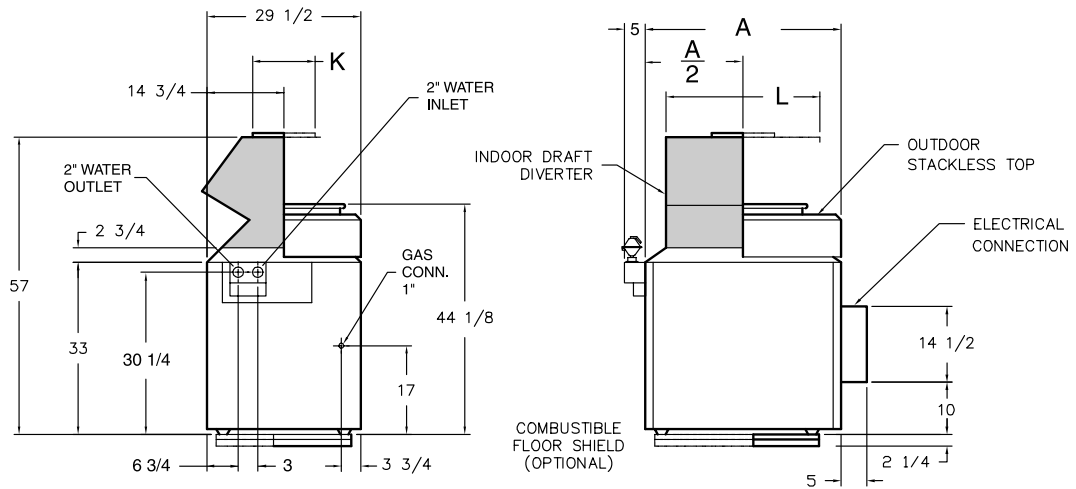
For options, see page 14.

# RAYTHERM 514-824

- Indoor/outdoor installations
- Up to 82% thermal efficiency
- Natural or propane gas
- Fuel-saving electronic ignition
- Stainless steel burners
- 7/8" diameter finned cupro-nickel tubes
- Bronze headers
- Patented Unitherm governor prevents condensation
- Optional factory-mounted remote spa



COMMERCIAL



Dimensions are in inches.

Model	Input MBTUH	Output MBTUH	A	K	L
514	511.5	419.4	32-3/4"	10"	25-3/8"
624	627.0	514.0	37-1/2"	12"	29-1/2"
724	726.0	595.0	41-5/8"	12"	34-1/4"
824	825.0	676.5	45-3/4"	14"	38-1/2"

## TOPS

MODEL	TOP	PART NUMBER	SHIPPING WEIGHT (LBS)	LIST PRICE
P 514	Indoor Top	001457	40	\$260
P 624	Indoor Top	001458	45	\$296
P 724	Indoor Top	001459	50	\$309
P 824	Indoor Top	001460	55	\$336
P 514	Outdoor Top	001103	45	\$557
P 624	Outdoor Top	001104	50	\$577
P 724	Outdoor Top	001105	55	\$622
P 824	Outdoor Top	001106	65	\$684

- HEATERS ON NEXT PAGE -

For Parts See Page 156

# RAYTHERM 514-824

COMMERCIAL

MODEL STANDARD	GAS	ELEVATION (feet)	PART NUMBER	SHIPPING WEIGHT (LBS)	LIST PRICE
P 514 #49	Natural	0-2000	001395	405	\$7,521
P 624 #49	Natural	0-2000	001396	425	\$8,898
P 724 #49	Natural	0-2000	001397	460	\$9,369
P 824 #49	Natural	0-2000	001398	495	\$9,992
P 514 #57	Propane	0-2000	001401	405	\$7,521
P 624 #57	Propane	0-2000	001402	425	\$8,898
P 724 #57	Propane	0-2000	001403	460	\$9,369
P 824 #57	Propane	0-2000	001404	495	\$9,992

## CALIFORNIA CODE

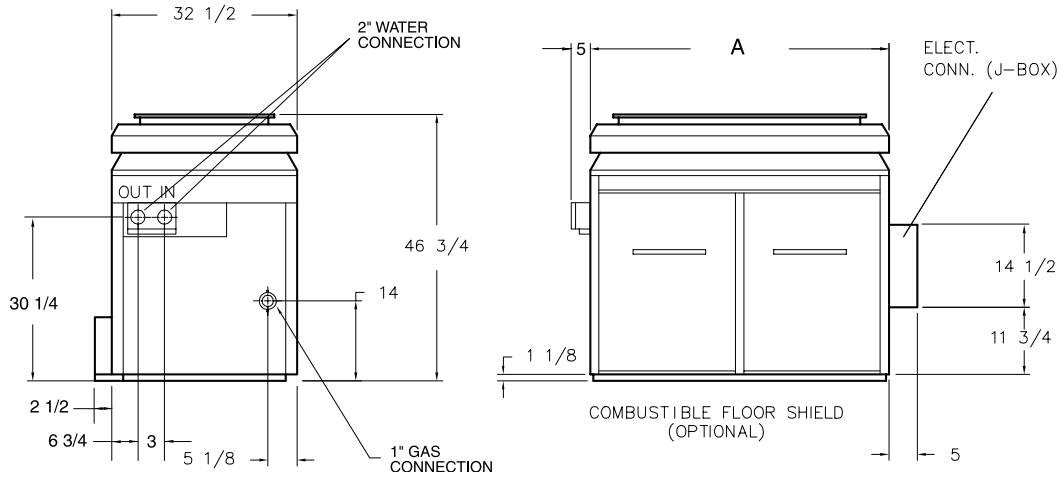
P 514 #49	Natural	0-2000	001429	405	\$8,519
P 624 #49	Natural	0-2000	001430	425	\$9,892
P 724 #49	Natural	0-2000	001431	460	\$10,365
P 824 #49	Natural	0-2000	001432	495	\$10,986
P 514 #57	Propane	0-2000	001435	405	\$8,519
P 624 #57	Propane	0-2000	001436	425	\$9,892
P 724 #57	Propane	0-2000	001437	460	\$10,365
P 824 #57	Propane	0-2000	001438	495	\$10,986

# RAYTHERM 926-1178

- Outdoor installations
- Up to 82% thermal efficiency
- Natural or propane gas
- Fuel-saving electronic ignition
- Stainless steel burners
- 7/8" diameter finned cupro-nickel tubes
- Bronze headers



COMMERCIAL



Model	Input MBTUH	Output MBTUH	A
926	926	759	52-3/8"
1083	1083	888	59-1/4"
1178	1178	966	63-5/8"

Dimensions are in inches.

MODEL	GAS	ELEVATION (feet)	PART NUMBER	SHIPPING WEIGHT (LBS)	LIST PRICE
<b>STANDARD UNIT-EQUIPPED WITH A UNITHERM GOVERNOR TO CONTROL CONDENSATION</b>					
P 926 #49	Natural	0-2000	001374	600	\$11,285
P 1083 #49	Natural	0-2000	001375	745	\$11,504
P 1178 #49	Natural	0-2000	001376	760	\$12,385
P 926 #57	Propane	0-2000	001367	600	\$11,285
P 1083 #57	Propane	0-2000	001368	745	\$11,504
P 1178 #57	Propane	0-2000	001369	760	\$12,385
<b>OPTIONAL UNIT-EQUIPPED WITH A COLD WATER RUN SYSTEM TO CONTROL CONDENSATION</b>					
P 926 #49	Natural	0-2000	012390	780	\$16,600
P 1083 #49	Natural	0-2000	012391	825	\$16,819
P 1178 #49	Natural	0-2000	012392	840	\$17,858
P 926 #57	Propane	0-2000	012383	780	\$16,600
P 1083 #57	Propane	0-2000	012384	825	\$16,819
P 1178 #57	Propane	0-2000	012385	840	\$17,858

Outdoor top included.

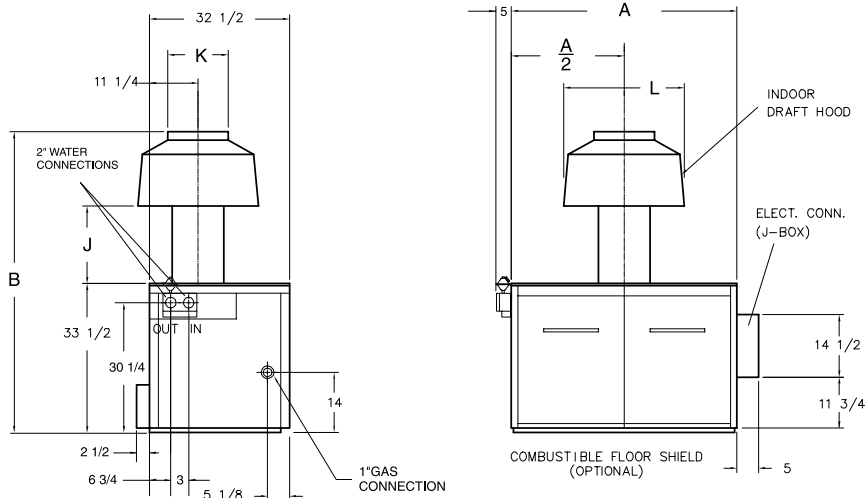


# RAYTHERM 962-1223

COMMERCIAL



- Indoor installations
- Up to 82% thermal efficiency
- Natural or propane gas
- Fuel-saving electronic ignition
- Stainless steel burners
- 7/8" diameter finned cupro-nickel tubes
- Bronze headers



Dimensions are in inches.

Model	Input MBTUH	Output MBTUH	A	B	J	K	L
962	961.7	788.6	52-3/8"	76-1/8"	23-5/8"	14"	28"
1125	1124.7	922.0	59-1/4"	76-1/8"	23-5/8"	16"	32"
1223	1222.5	1002.4	63-5/8"	76-1/8"	23-5/8"	16"	32"

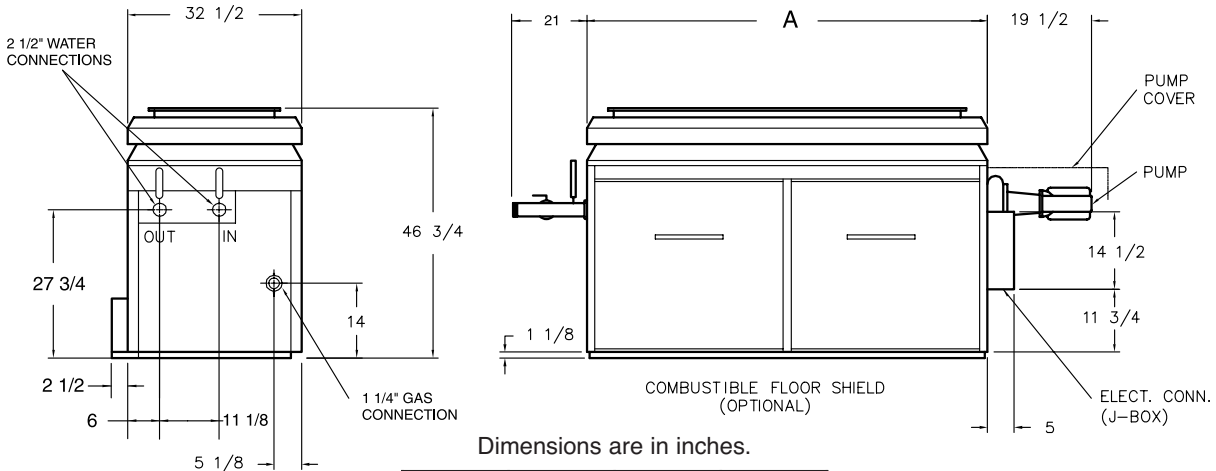
MODEL	GAS	ELEVATION (feet)	PART NUMBER	SHIPPING WEIGHT (LBS)	LIST PRICE
<b>STANDARD UNIT-EQUIPPED WITH A UNITHERM GOVERNOR TO CONTROL CONDENSATION</b>					
P 962 #48	Natural	0-2000	001346	620	\$10,875
P 1125 #48	Natural	0-2000	001347	690	\$11,082
P 1223 #48	Natural	0-2000	001348	890	\$11,961
P 962 #57	Propane	0-2000	001339	620	\$10,875
P 1125 #57	Propane	0-2000	001340	690	\$11,082
P 1223 #57	Propane	0-2000	001341	890	\$11,961
<b>OPTIONAL UNIT-EQUIPPED WITH A COLD WATER RUN SYSTEM TO CONTROL CONDENSATION</b>					
P 962 #48	Natural	0-2000	012376	700	\$16,190
P 1125 #48	Natural	0-2000	012377	770	\$16,397
P 1223 #48	Natural	0-2000	012378	970	\$17,434
P 962 #57	Propane	0-2000	012369	700	\$16,190
P 1125 #57	Propane	0-2000	012370	770	\$16,397
P 1223 #57	Propane	0-2000	012371	970	\$17,434
<b>INDOOR STACK TOP</b>					
P 962			006484	30	\$410
P 1125/1223			006485	45	\$423

# RAYTHERM 1287-1758

- Outdoor installations
- Up to 82% thermal efficiency
- Natural or propane gas
- Fuel-saving electronic ignition
- Stainless steel burners
- 7/8" diameter finned cupro-nickel tubes
- Bronze headers
- Rear-mounted bronze bypass pump included
- Front-mounted bronze bypass assembly



COMMERCIAL

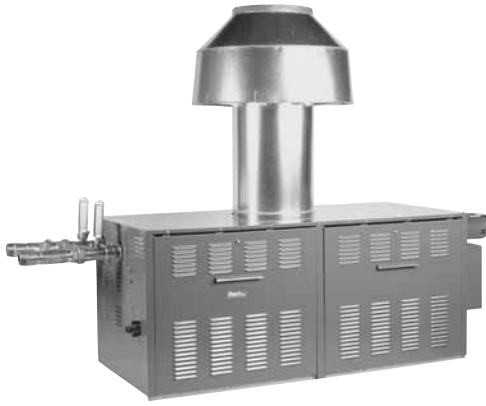


Model	Input MBTUH	Output MBTUH	A
1287	1287.0	1055.0	68-5/8"
1414	1413.0	1158.5	74-7/8"
1571	1570.0	1287.0	81-1/8"
1758	1758.0	1441.5	89-3/8"

MODEL	GAS	ELEVATION (feet)	PART NUMBER	SHIPPING WEIGHT (LBS)	LIST PRICE
<b>STANDARD UNIT-EQUIPPED WITH AN EXTERNAL MANUAL BYPASS TO CONTROL CONDENSATION</b>					
P 1287 #49	Natural	0-2000	001377	865	\$14,916
P 1414 #49	Natural	0-2000	001378	950	\$15,089
P 1571 #49	Natural	0-2000	001379	1150	\$16,412
P 1758 #49	Natural	0-2000	001380	1140	\$19,800
P 1287 #57	Propane	0-2000	001370	865	\$14,916
P 1414 #57	Propane	0-2000	001371	950	\$15,089
P 1571 #57	Propane	0-2000	001372	1150	\$16,412
P 1758 #57	Propane	0-2000	001373	1140	\$19,800
<b>OPTIONAL UNIT-EQUIPPED WITH A COLD WATER RUN SYSTEM TO CONTROL CONDENSATION</b>					
P 1287 #49	Natural	0-2000	012393	945	\$19,389
P 1414 #49	Natural	0-2000	012394	1030	\$19,562
P 1571 #49	Natural	0-2000	012395	1230	\$20,885
P 1758 #49	Natural	0-2000	012396	1220	\$24,273
P 1287 #57	Propane	0-2000	012386	945	\$19,389
P 1414 #57	Propane	0-2000	012387	1030	\$19,562
P 1571 #57	Propane	0-2000	012388	1230	\$20,885
P 1758 #57	Propane	0-2000	012389	1220	\$24,273

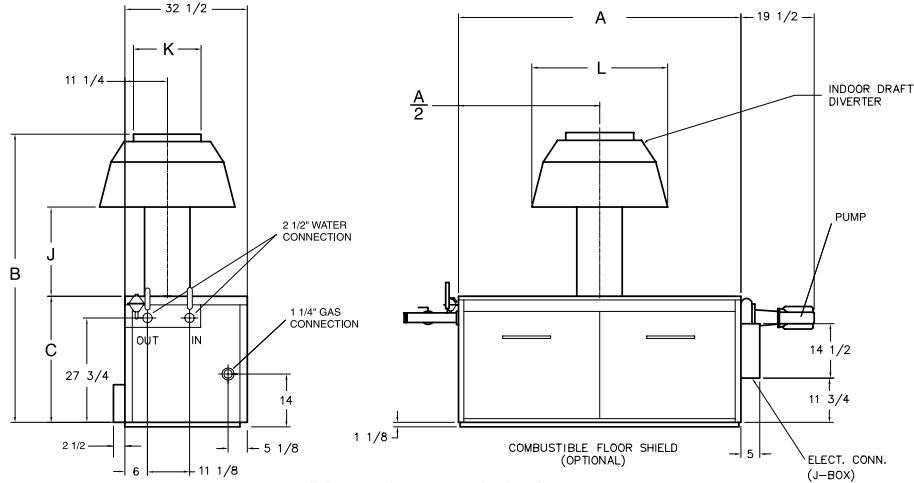
Outdoor top included.

# RAYTHERM 1336-1826



COMMERCIAL

- Indoor installations
- Up to 82% thermal efficiency
- Natural or propane gas
- Fuel-saving electronic ignition
- Stainless steel burners
- 7/8" diameter finned cupro-nickel tubes
- Bronze headers
- Rear-mounted bronze bypass pump included
- Front mounted bronze bypass assembly



Dimensions are in inches.

Model	Input MBTUH	Output MBTUH	A	B	C	J	K	L
1336	1336.0	1096.0	68-5/8"	80-1/8"	33-1/2"	23-5/8"	18"	36"
1468	1467.0	1203.0	74-7/8"	80-1/8"	33-1/2"	23-5/8"	18"	36"
1631	1630.0	1336.6	81-1/8"	83-1/8"	36-1/2"	23-5/8"	18"	36"
1826	1825.6	1497.0	89-3/8"	85-1/8"	36-1/2"	23-5/8"	20"	40"

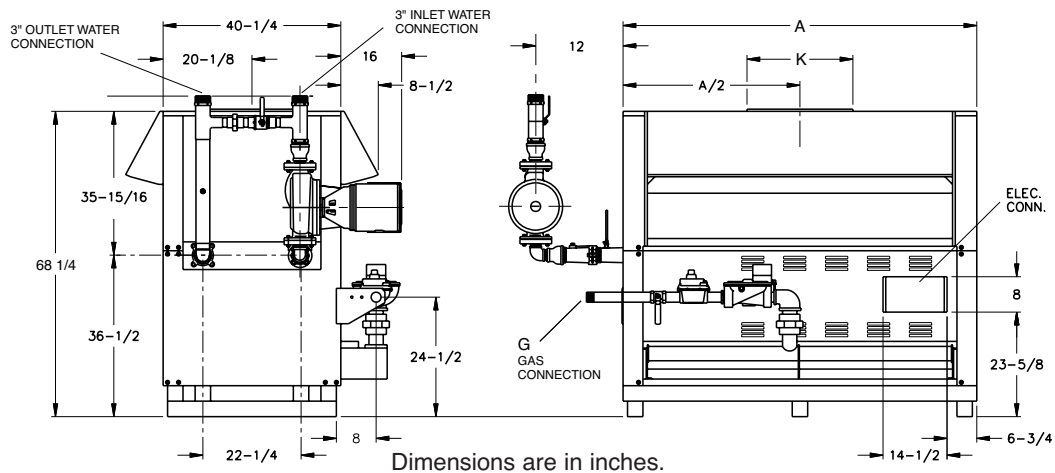
MODEL	GAS	ELEVATION (feet)	PART NUMBER	SHIPPING WEIGHT (LBS)	LIST PRICE
<b>STANDARD UNIT-EQUIPPED WITH AN EXTERNAL MANUAL BYPASS TO CONTROL CONDENSATION</b>					
P 1336 #48	Natural	0-2000	001349	925	\$14,292
P 1468 #48	Natural	0-2000	001350	820	\$14,628
P 1631 #48	Natural	0-2000	001351	930	\$15,751
P 1826 #48	Natural	0-2000	001352	950	\$19,129
P 1336 #57	Propane	0-2000	001342	925	\$14,292
P 1468 #57	Propane	0-2000	001343	820	\$14,628
P 1631 #57	Propane	0-2000	001344	930	\$15,751
P 1826 #57	Propane	0-2000	001345	950	\$19,129
<b>OPTIONAL UNIT-EQUIPPED WITH A COLD WATER RUN SYSTEM TO CONTROL CONDENSATION</b>					
P 1336 #48	Natural	0-2000	012379	1005	\$18,765
P 1468 #48	Natural	0-2000	012380	900	\$19,101
P 1631 #48	Natural	0-2000	012381	1100	\$20,224
P 1826 #48	Natural	0-2000	012382	1030	\$23,602
P 1336 #57	Propane	0-2000	012372	925	\$18,765
P 1468 #57	Propane	0-2000	012373	820	\$19,101
P 1631 #57	Propane	0-2000	012374	930	\$20,224
P 1826 #57	Propane	0-2000	012375	950	\$23,602
<b>INDOOR STACK TOP</b>					
P 1336/1468/1631			006486	80	\$624
P 1826			006487	95	\$638

# RAYTHERM 2100-4001

- Indoor installations only
- Up to 82% thermal efficiency
- Natural or propane gas
- Fuel-saving electronic ignition
- Dual gas valves
- 7/8" diameter finned cupro-nickel tubes
- Bronze headers
- Front mounted bypass and bronze pump included



COMMERCIAL



Model	Input MBTUH	Output MBTUH	A	G	K
2100	2100.0	1722.0	61"	(a)	24"
2500	2499.0	2049.0	70"	(a)	26"
3001	3000.0	2460.0	81-1/4"	2"	28"
3500	3500.0	2870.0	92-1/2"	2"	30"
4001	4000.0	3280.0	103-3/4"	2"	32"

MODEL	GAS	ELEVATION (feet)	PART NUMBER	SHIPPING WEIGHT (LBS)	LIST PRICE
<b>STANDARD UNIT-EQUIPPED WITH AN EXTERNAL MANUAL BYPASS TO CONTROL CONDENSATION</b>					
P 2100 #17	Natural	0-2000	001881	1580	\$22,898
P 2500 #17	Natural	0-2000	001883	1780	\$24,000
P 3001 #17	Natural	0-2000	001885	2000	\$27,152
P 3500 #17	Natural	0-2000	001887	2180	\$29,171
P 4001 #17	Natural	0-2000	001889	2500	\$32,564
P 2100 #36	Propane	0-2000	001882	1580	\$22,898
P 2500 #36	Propane	0-2000	001884	1780	\$24,000
P 3001 #36	Propane	0-2000	001886	2000	\$27,152
P 3500 #36	Propane	0-2000	001888	2180	\$29,171
P 4001 #36	Propane	0-2000	001890	2500	\$32,564
<b>OPTIONAL UNIT-EQUIPPED WITH A COLD WATER RUN SYSTEM TO CONTROL CONDENSATION</b>					
P 2100 #17	Natural	0-2000	012397	1690	\$26,868
P 2500 #17	Natural	0-2000	012399	1890	\$27,970
P 3001 #17	Natural	0-2000	012401	2110	\$31,122
P 3500 #17	Natural	0-2000	012403	2290	\$33,141
P 4001 #17	Natural	0-2000	012405	2610	\$36,534
P 2100 #36	Propane	0-2000	012398	1690	\$26,868
P 2500 #36	Propane	0-2000	012400	1890	\$27,970
P 3001 #36	Propane	0-2000	012402	2110	\$31,122
P 3500 #36	Propane	0-2000	012404	2290	\$33,141
P 4001 #36	Propane	0-2000	012406	2610	\$36,534

# RAYTHERM OPTIONS

COMMERCIAL

MODEL	DESCRIPTION	PART NUMBER	SHIPPING WEIGHT (LBS)	LIST PRICE
<b>A-6: RIGHT-HAND WATER CONNECTIONS</b>				
P 514-4001		056817		\$296
<b>C-4: 15-SECOND LOCKOUT IGNITION IN LIEU OF 90-SECOND</b>				
P 514-4001		SPR 1078		\$58
<b>C-5: IGNITION LATCHING LOCKOUT MODULES (FACTORY-MOUNTED)</b>				
P 514-4001		066146		\$787
<b>D-1: POWER VENT IN LIEU OF STANDARD INDOOR TOPS (MOUNTED)</b>				
P 514	Shipped Mounted	065128	150	\$3,202
P 624	Shipped Mounted	065129	150	\$3,202
P 724	Shipped Mounted	065130	150	\$3,202
P 824	Shipped Mounted	065131	150	\$3,202
P 962	Shipped Mounted	065351	160	\$4,647
P 1125	Shipped Mounted	065352	160	\$4,647
P 1223	Shipped Mounted	065353	160	\$4,647
P 1336	Shipped Mounted	065354	160	\$4,647
P 1468	Shipped Mounted	065355	175	\$4,647
P 1631	Shipped Mounted	065356	175	\$4,647
P 1826	Shipped Mounted	065357	175	\$4,647
<b>D-2: POWER VENT - HEATER WIRED, SHIPPED LOOSE</b>				
P 2100-2500	Shipped Loose	005627		\$8,275
P3001	Shipped Loose	005629		\$8,275
P3500	Shipped Loose	005630		\$8,275
P4001	Shipped Loose	005631		\$8,275
<b>D-3: SIDEWALL VENT HOOD FOR DRAFT INDUCERS (OPTIONAL)</b>				
P 514-1223	Shipped Loose	951097	15	\$489
P 1336-1826	Shipped Loose	951111	17	\$524
P 2100-4001			Not Available	
<b>D-10: COMMERCIAL POOL HEATER INDOOR DRAFTHOODS</b>				
P 514	Indoor Top	001457	40	\$260
P 624	Indoor Top	001458	45	\$296
P 724	Indoor Top	001459	50	\$309
P 824	Indoor Top	001460	55	\$336
P 962	Indoor Top	006484	30	\$410
P 1125	Indoor Top	006485	45	\$423
P 1223	Indoor Top	006485	45	\$423
P 1336	Indoor Top	006486	80	\$624
P 1468	Indoor Top	006486	80	\$624
P 1631	Indoor Top	006486	80	\$624
P 1826	Indoor Top	006487	95	\$638
<b>D-11: COMMERCIAL POOL HEATER Outdoor STACKLESS Tops</b>				
P 514	Outdoor Top	001103	45	\$557
P 624	Outdoor Top	001104	50	\$577
P 724	Outdoor Top	001105	55	\$622
P 824	Outdoor Top	001106	60	\$684

# RAYTHERM OPTIONS

COMMERCIAL

MODEL	DESCRIPTION	PART NUMBER	SHIPPING WEIGHT (LBS)	LIST PRICE
<b>D-12: BAROMETRIC DAMPER (SHIPPED LOOSE)</b>				
P 962	14"	006049		\$638
P 1125-1336	16"	006050		\$838
P 1468-1631	18"	006051		\$1,041
P1826	20"	006052		\$1,295

Note: Thermal Switch included with Barometric Damper at no charge.

## E-4: ALARM CENTER

P 514-4001	3" BELL	065839		\$736
P 514-4001	4" BELL	065782		\$1,392

## F-1: FLOW SWITCH

P 514-1223	SHIPPED LOOSE	010862		\$235
P 514-1178	IN 2" TEE ON INLET	056870		\$508
P 1287-1826	MOUNTED	STANDARD		

## F-9: LOW WATER CUT-OFF

P 514-1223	IN 2" TEE ON OUTLET	064091	INDOOR	\$648
P 514-1178	IN 2" TEE ON OUTLET	064092	OUTDOOR	\$648
P 1336-1826	IN 2-1/2" TEE ON OUTLET	066546	INDOOR	\$648
P 1287-1758	IN 2-1/2" TEE ON OUTLET	066547	OUTDOOR	\$648
P 2100-4001	IN RETURN HEADER	056850	INDOOR	\$648

## G-1: CSD-1 CODE CONTROLS (INCLUDES HIGH LIMIT & LOOSE FLOW SWITCH)

P 514-824	NAT OR PRO			\$481
P 926-1223	NAT OR PRO			\$304
P 1287-2500	NAT OR PRO			\$246
P 3001-4001	NAT OR PRO			\$761

G-4: ILLINOIS SCHOOL CODE CONTROLS (BOCA) P 514-4001 \$802

G-6: MINNESOTA CODE CONTROLS Use CSD-1 (G-1) pricing

G-7: NEW MEXICO CODE CONTROLS Use CSD-1 (G-1) pricing

G-8: WASHINGTON STATE CODE CONTROLS Use CSD-1 (G-1) pricing

## G-12: CALIFORNIA CODE CONTROLS

P 514-824 See page 21  
P 926-4001 \$648

### Notes:

1. CSD-1 option does not include (C-5) Manual Ignition Lockout. Order C-5 separately if required.
2. Sizes 514-1223 Flow Switch will ship loose on units using a Unitherm Governor.
3. Hi-Bypass & Cold Water Run models 926-4001 flow switch is mounted.
4. As of the 2004 Edition of CSD-1, ANSI Z21.56 pool heaters are specifically exempted from CSD-1. Not all states have adopted the 2004 revision.

# RAYTHERM OPTIONS

COMMERCIAL

MODEL	DESCRIPTION	PART NUMBER	SHIPPING WEIGHT (LBS)	LIST PRICE
<b>I-6: TEMPERATURE LIMITING CONTROL - 100°F MAX</b>				
P 514-4001		006040		\$185
<b>J-1: COMBUSTIBLE FLOOR SHIELDS, MOUNTED</b>				
P 514	OUTDOOR	066517		\$148
P 624	OUTDOOR	066518		\$150
P 724	OUTDOOR	066519		\$161
P 824	OUTDOOR	066520		\$166
P 926	OUTDOOR	066596		\$200
P 1083	OUTDOOR	066597		\$403
P 1178	OUTDOOR	066598		\$403
P 1223	OUTDOOR	066599		\$415
P 1414	OUTDOOR	066600		\$437
P 1571	OUTDOOR	066601		\$444
P 1758	OUTDOOR	066602		\$500
<b>M-1: SAFETY VALVES, MOTORIZED</b>				
P 514-824		SPR		\$1,541
P 926-1468		SPR		\$1,670
P 1571-1826		SPR		\$1,512
P 2100-2500		SPR		\$1,750
P 3001-4001		SPR		STANDARD

# RAYTHERM OPTIONS

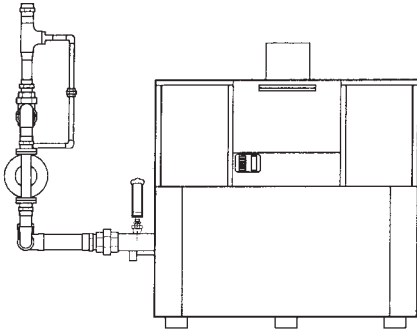
MODEL	DESCRIPTION	PART NUMBER	SHIPPING WEIGHT (LBS)	LIST PRICE
<b>M-10: SAFETY VALVES, SOLENOID</b>				
P 514-962		SPR		\$795
P1083-1336		SPR		\$672
P 1414-1826		SPR		\$897
P 2100-2500		SPR		\$886
P 3001-4001		SPR		\$1,208
<b>S-1: LOW GAS PRESSURE SWITCH</b>				
P 514-4001		065654		\$398
<b>S-2: HIGH GAS PRESSURE SWITCHES</b>				
P 514-2500		065653		\$398
P 3001-4001		STANDARD		
<b>Y-241: CONTROLLER - 4 STAGE</b>				
P 514-4001	FACTORY INSTALLED	068763		\$2,373
<b>Y-281: CONTROLLER - 8 STAGE</b>				
P 514-4001	FACTORY INSTALLED	068764		\$2,597
<b>Z-1: RIGHT-HAND GAS CONNECTIONS</b>				
P 514-4001		056860		\$294
<b>Z-7: TEMPERATURE AND PRESSURE GAUGE</b>				
P 514-1223		600672		\$68

COMMERCIAL

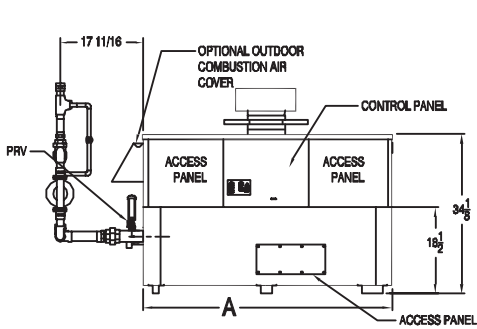


# HI DELTA 302-402

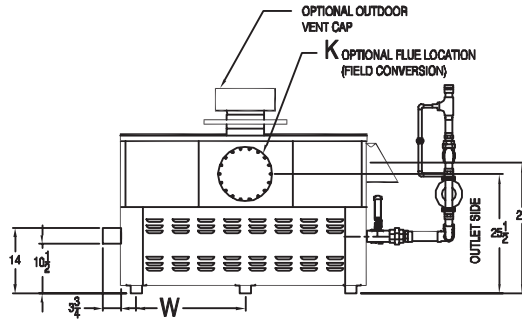
COMMERCIAL



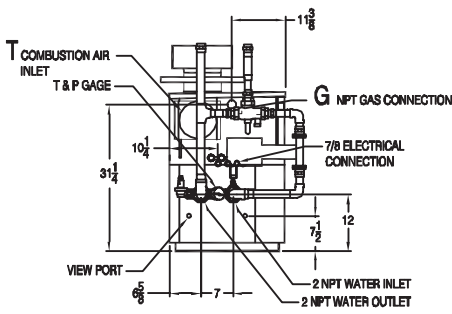
- Indoor/outdoor installation
- Ultra-low NOx
- 85% thermal efficiency
- Cupro-nickel tubes
- Bronze headers
- Top or back venting
- Sealed combustion chamber
- Only one inch installation clearance needed
- Stackable without increased footprint
- Small vent sizes
- Front-mounted bronze pump



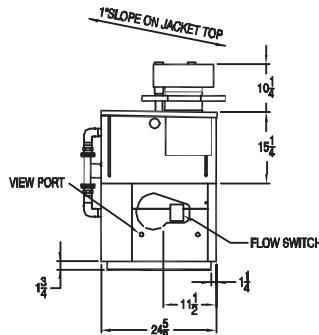
FRONT VIEW



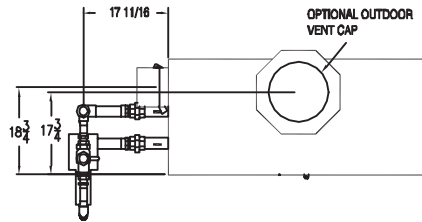
BACK VIEW



LEFT SIDE



RIGHT SIDE



TOP VIEW

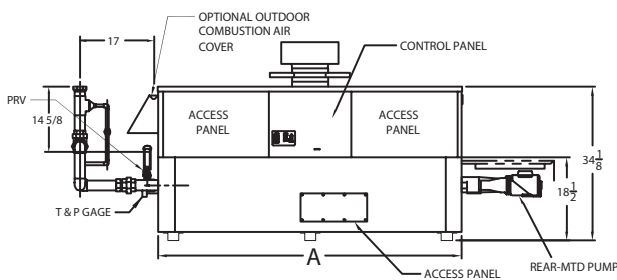
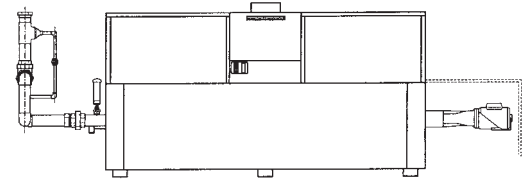
Model	Input MBTUH	Output MBTUH	A Width	G NPT	H NPT	K	T	W	Amp. Draw	Shipping Wt. (Lbs.)
302B	300	255	36"	3/4"	2"	5"	6"	18"	6	520
402B	399	339	43"	3/4"	2"	6"	6"	18-1/2"	6	445

MODEL	GAS	ELEVATION (feet)	PART NUMBER	SHIPPING WEIGHT (LBS)	LIST PRICE
P 302B	Natural	0-5000	009350	520	\$11,586
P 402B	Natural	0-5000	009351	445	\$13,938
P 302B	Propane	0-5000	009363	520	\$11,586
P 402B	Propane	0-5000	009364	445	\$13,938

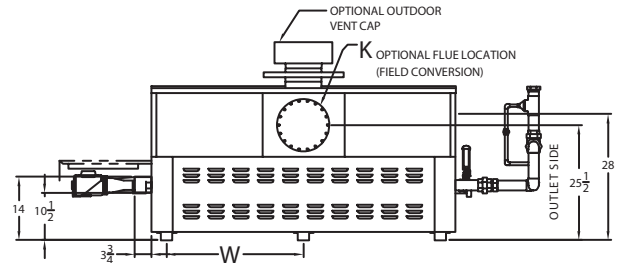
# HI DELTA 502-902

- Indoor/outdoor installation
- Ultra-low NOx
- 85% thermal efficiency
- Cupro-nickel tubes
- Bronze headers
- Top or back
- Sealed combustion chamber
- Only one inch installation clearance needed
- Stackable without increased footprint
- Small vent sizes
- Rear-mounted bronze pump

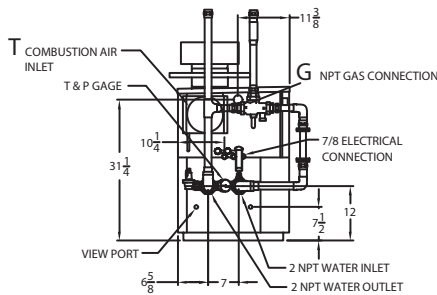
COMMERCIAL



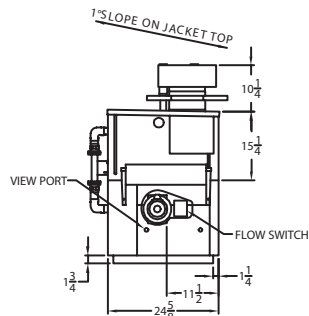
FRONT VIEW



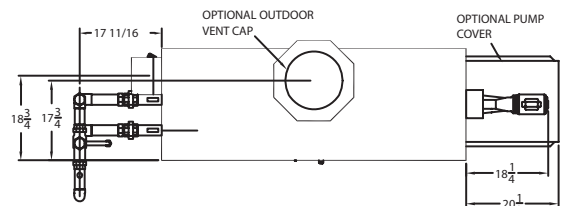
BACK VIEW



LEFT SIDE



RIGHT SIDE



TOP VIEW

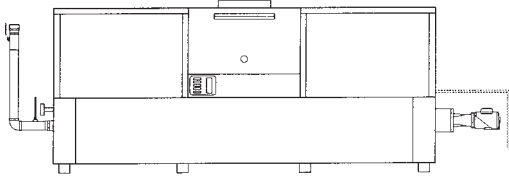
Model	Input MBTUH	Output MBTUH	A Width	G NPT	H NPT	K	T	W	Amp. Draw	Shipping Wt. (Lbs.)
502B	500	425	50"	1-1/4"	2"	6"	6"	22"	6	655
652B	650	553	60-1/2"	1-1/4"	2"	8"	6"	27-1/4"	6	755
752B	750	638	67-1/2"	1-1/4"	2"	8"	6"	30-3/4"	6	815
902B	900	765	78"	1-1/4"	2"	8"	6"	36"	7	905

MODEL	GAS	ELEVATION (feet)	PART NUMBER	SHIPPING WEIGHT (LBS)	LIST PRICE
P 502B	Natural	0-5000	009352	655	\$17,031
P 652B	Natural	0-5000	009353	755	\$17,745
P 752B	Natural	0-5000	009354	815	\$18,235
P 902B	Natural	0-5000	009355	905	\$20,000
P 502B	Propane	0-5000	009365	655	\$17,031
P 652B	Propane	0-5000	009366	665	\$17,745
P 752B	Propane	0-5000	009367	775	\$18,235
P 902B	Propane	0-5000	009368	905	\$20,000

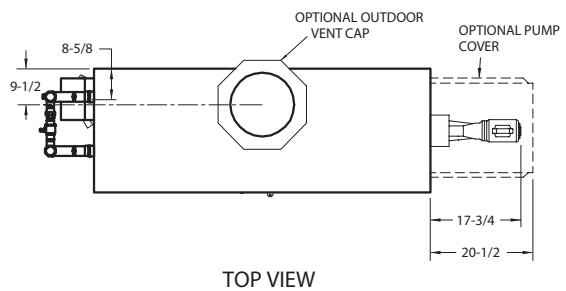
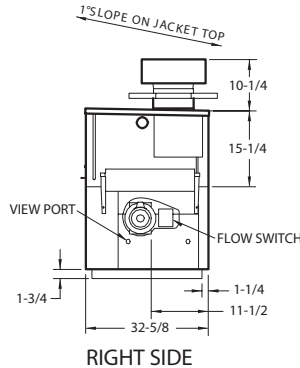
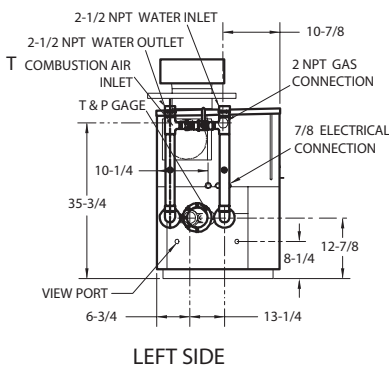
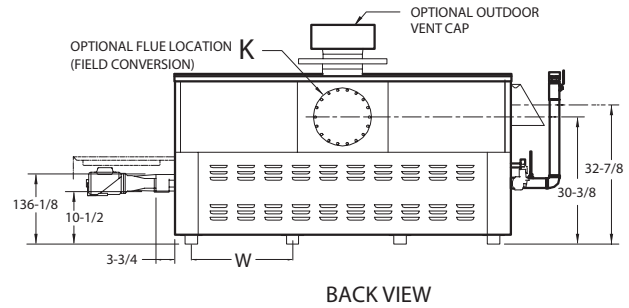
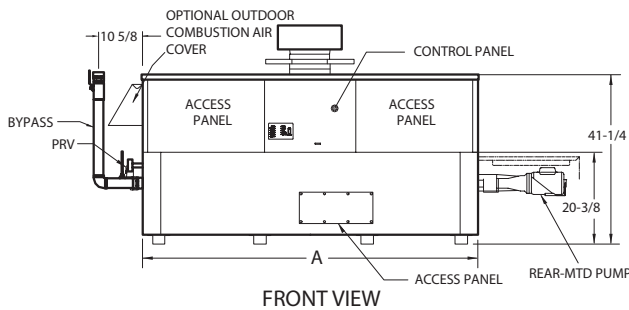
For Parts See Page 190

# HI DELTA 992-1532

COMMERCIAL



- Indoor/outdoor installation
- Ultra-low NOx
- 85% thermal efficiency
- Cupro-nickel tubes
- Bronze headers
- Vent top or back
- Sealed combustion chamber
- Only one inch installation clearance needed
- Stackable without increased footprint
- Small vent sizes
- Non-ferrous bypass and pump assembly



Model	Input MBTUH	Output MBTUH	Firing Stages	A Width	H NPT	K	T	W	Amp. Draw*	Shipping Wt. (Lbs.)
992B	990	842	3	57-1/8"	2-1/2"	10"	10"	16-13/16"	<12	1000
1262B	1260	1071	4	68-1/2"	2-1/2"	12"	10"	20-9/16"	<12	1055
1532B	1530	1301	4	79-7/8"	2-1/2"	12"	10"	24-3/8"	<12	1255

\* Without pump

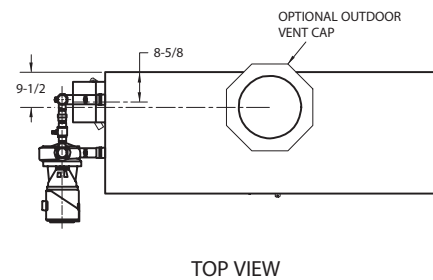
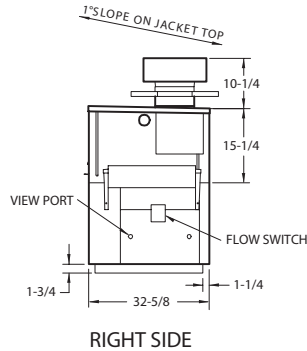
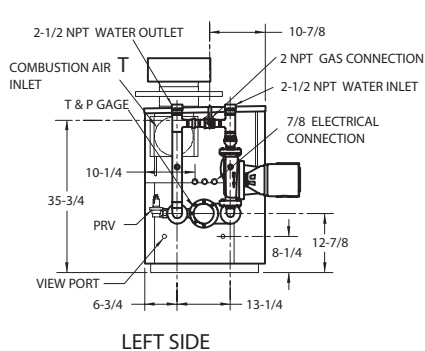
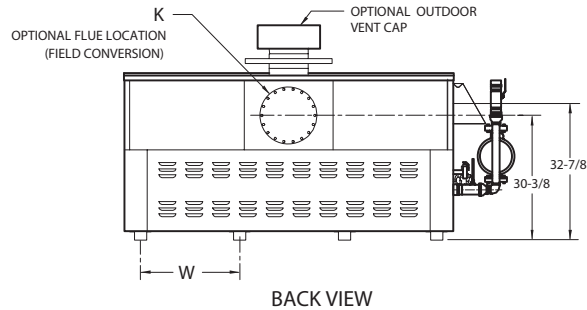
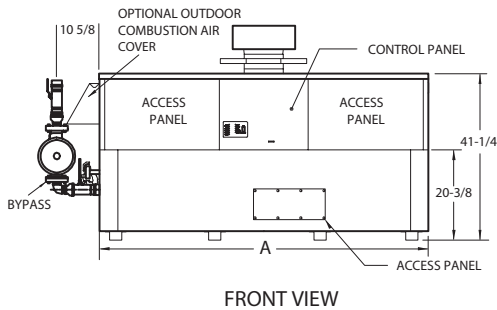
MODEL	GAS	ELEVATION (feet)	PART NUMBER	SHIPPING WEIGHT (LBS)	LIST PRICE
P 992B	Natural	0-5000	009356	1000	\$21,615
P 1262B	Natural	0-5000	009357	1110	\$23,862
P 1532B	Natural	0-5000	009358	1335	\$26,631
P 992B	Propane	0-5000	009369	1000	\$21,615
P 1262B	Propane	0-5000	009370	1110	\$23,862
P 1532B	Propane	0-5000	009371	1335	\$26,631

# HI DELTA 1802-2342

- Indoor/outdoor installation
- Ultra-low NOx
- 85% thermal efficiency
- Cupro-nickel tubes
- Bronze headers
- Top or back venting
- Sealed combustion chamber
- Only one inch installation clearance needed
- Stackable without losing foot print
- Small vent sizes
- Non-ferrous bypass and pump assembly



COMMERCIAL



Model	Input MBTUH	Output MBTUH	Firing Stages	A Width	H NPT	K	T	W	Amp. Draw*	Shipping Wt. (Lbs.)
1802B	1800	1530	4	91-1/8"	2-1/2"	14"	10"	28-1/8"	<12	1460
2002B	1999	1699	4	102-1/2"	2-1/2"	14"	10"	31-15/16"	<12	1560
2072B	2070	1760	4	102-1/2"	2-1/2"	14"	10"	31-15/16"	<12	1560
2342B	2340	1989	4	113-7/8"	2-1/2"	16"	10"	35-11/16"	<12	1620

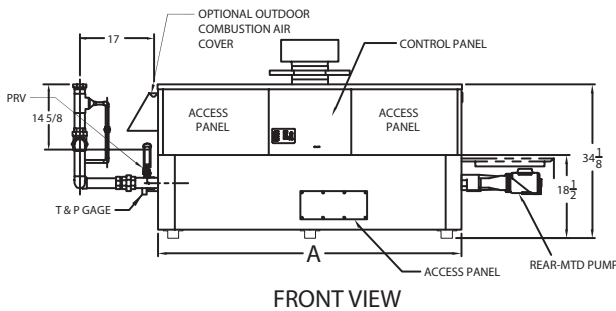
\* Without pump

MODEL	GAS	ELEVATION (feet)	PART NUMBER	SHIPPING WEIGHT (LBS)	LIST PRICE
P 1802B	Natural	0-5000	009359	1460	\$28,400
P 2002B	Natural	0-5000	009360	1560	\$33,173
P 2072B	Natural	0-5000	009361	1560	\$33,173
P 2342B	Natural	0-5000	009362	1620	\$36,966
P 1802B	Propane	0-5000	009372	1460	\$28,400
P 2072B	Propane	0-5000	009374	1560	\$33,173
P 2342B	Propane	0-5000	009375	1620	\$36,966

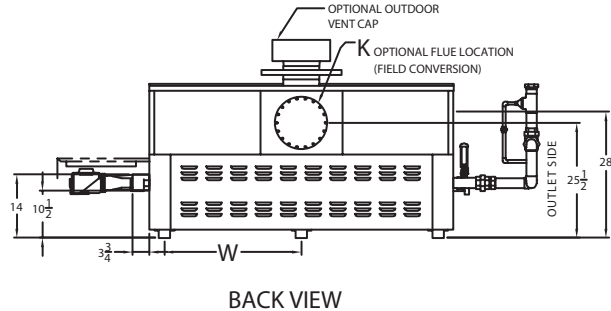


# COLD RUN HI DELTA 502-902

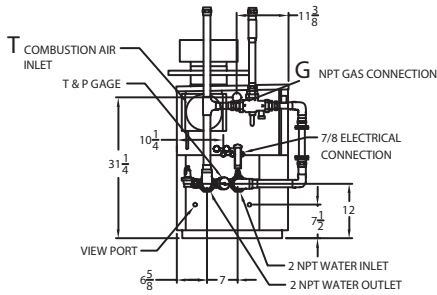
- Indoor/outdoor installation
- Ultra-low NOx
- 85% thermal efficiency
- Cupro-nickel tubes
- Bronze headers
- Top or back venting
- Sealed combustion chamber
- Only one inch installation clearance needed
- Stackable without increased footprint
- Small vent sizes
- Front-mounted bronze pump



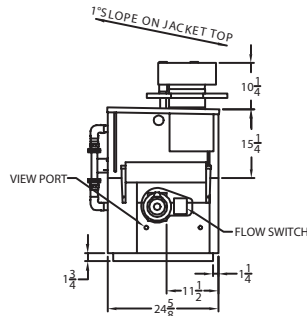
FRONT VIEW



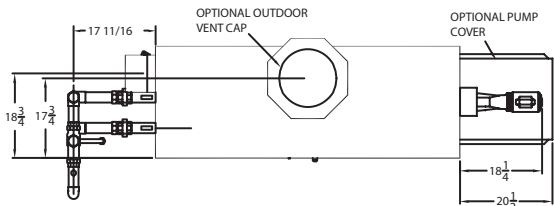
BACK VIEW



LEFT SIDE



RIGHT SIDE



TOP VIEW

Model	Input MBTUH	Output MBTUH	A Width	G NPT	H NPT	K	T	W	Amp. Draw	Shipping Wt. (Lbs.)
502B	500	425	50"	1-1/4"	2"	6"	6"	22"	6	655
652B	650	553	60-1/2"	1-1/4"	2"	8"	6"	27-1/4"	6	755
752B	750	638	67-1/2"	1-1/4"	2"	8"	6"	30-3/4"	6	815
902B	900	765	78"	1-1/4"	2"	8"	6"	36"	7	905

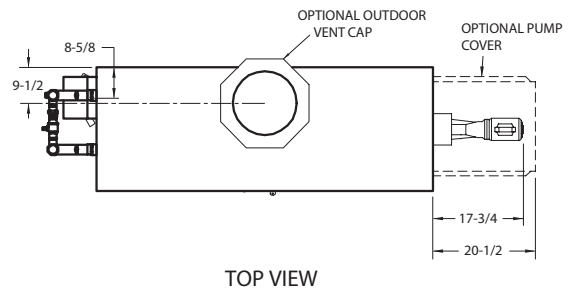
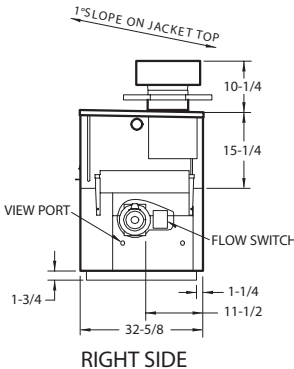
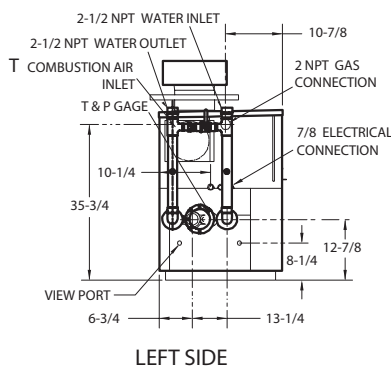
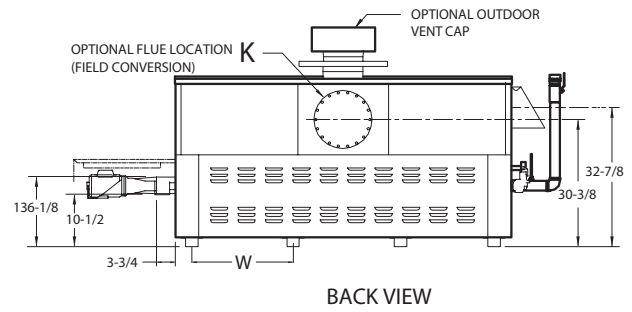
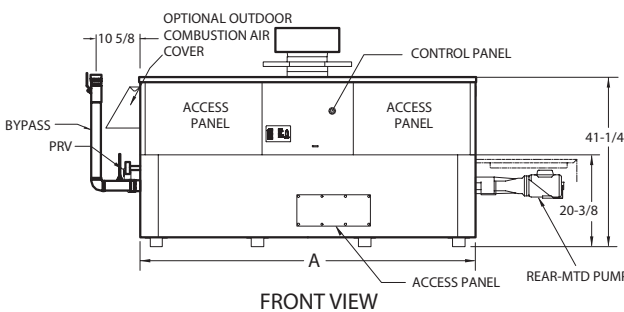
MODEL	GAS	ELEVATION (feet)	PART NUMBER	SHIPPING WEIGHT (LBS)	LIST PRICE
P 502B	Natural	0-5000	011982	730	\$20,346
P 652B	Natural	0-5000	011983	830	\$21,060
P 752B	Natural	0-5000	011984	890	\$21,550
P 902B	Natural	0-5000	011985	980	\$23,315
P 502B	Propane	0-5000	011995	730	\$20,346
P 652B	Propane	0-5000	011996	830	\$21,060
P 752B	Propane	0-5000	011997	890	\$21,550
P 902B	Propane	0-5000	011998	980	\$23,315

# COLD RUN HI DELTA 992-1532

- Indoor/outdoor installation
- Ultra-low NOx
- 85% thermal efficiency
- Cupro-nickel tubes
- Bronze headers
- Top or back
- Sealed combustion chamber
- Only one inch installation clearance needed
- Stackable without increased footprint
- Small vent sizes
- Rear-mounted bronze pump



COMMERCIAL



Model	Input MBTUH	Output MBTUH	Firing Stages	A Width	H NPT	K	T	W	Amp. Draw*	Shipping Wt. (Lbs.)
992B	990	842	3	57-1/8"	2-1/2"	10"	10"	16-13/16"	<12	1000
1262B	1260	1071	4	68-1/2"	2-1/2"	12"	10"	20-9/16"	<12	1055
1532B	1530	1301	4	79-7/8"	2-1/2"	12"	10"	24-3/8"	<12	1255

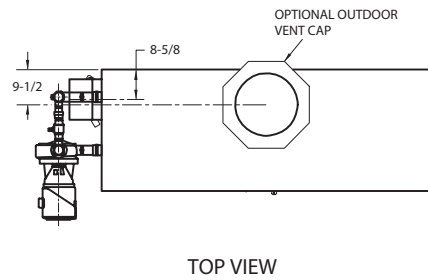
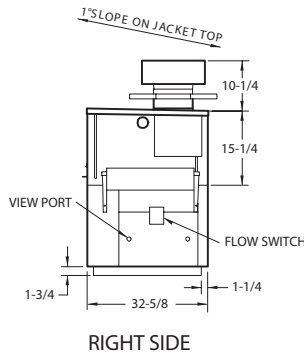
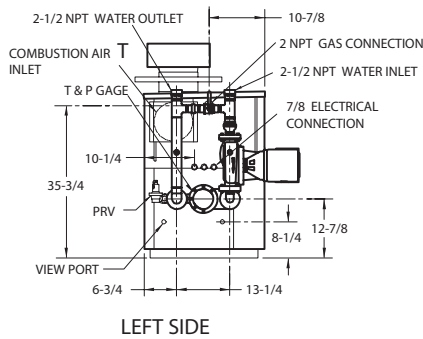
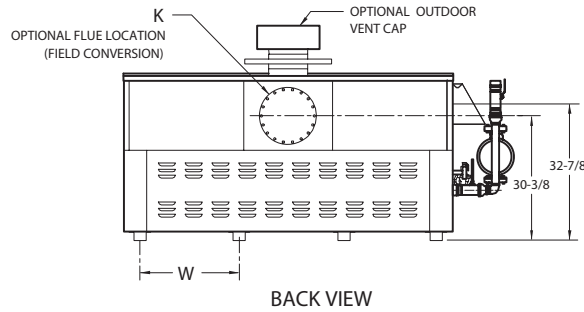
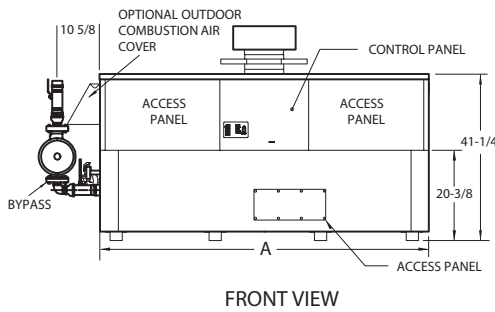
\* Without pump

MODEL	GAS	ELEVATION (feet)	PART NUMBER	SHIPPING WEIGHT (LBS)	LIST PRICE
P 992B	Natural	0-5000	011986	1075	\$25,088
P 1262B	Natural	0-5000	011987	1130	\$27,335
P 1532B	Natural	0-5000	011988	1330	\$30,104
P 992B	Propane	0-5000	011999	1000	\$25,088
P 1262B	Propane	0-5000	012000	1110	\$27,335
P 1532B	Propane	0-5000	012001	1335	\$30,104



# COLD RUN HI DELTA 1802-2342

- Indoor/outdoor installation
- Ultra-low NOx
- 85% thermal efficiency
- Cupro-nickel tubes
- Bronze headers
- Top or back venting
- Sealed combustion chamber
- Only one inch installation clearance needed
- Stackable without increased footprint
- Small vent sizes
- Front-mounted bronze pump



Model	Input MBTUH	Output MBTUH	Firing Stages	A Width	H NPT	K	T	W	Amp. Draw*	Shipping Wt. (Lbs.)
1802B	1800	1530	4	91-1/8"	2-1/2"	14"	10"	28-1/8"	<12	1460
2002B	1999	1699	4	102-1/2"	2-1/2"	14"	10"	31-15/16"	<12	1560
2072B	2070	1760	4	102-1/2"	2-1/2"	14"	10"	31-15/16"	<12	1560
2342B	2340	1989	4	113-7/8"	2-1/2"	16"	10"	35-11/16"	<12	1620

\* Without pump

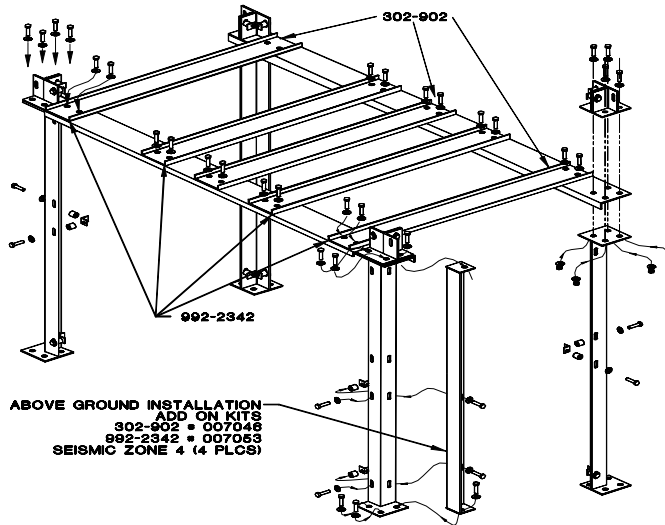
MODEL	GAS	ELEVATION (feet)	PART NUMBER	SHIPPING WEIGHT (LBS)	LIST PRICE
P 1802B	Natural	0-5000	011989	1535	\$31,923
P 2002B	Natural	0-5000	011990	1670	\$37,143
P 2072B	Natural	0-5000	011991	1670	\$37,143
P 2342B	Natural	0-5000	011992	1730	\$40,936
P 1802B	Propane	0-5000	012002	1535	\$31,923
P 2072B	Propane	0-5000	012003	1670	\$37,143
P 2342B	Propane	0-5000	012004	1730	\$40,936

# HI DELTA SURE RACK KIT

- Two-boiler vertical stack
- No vent offset required
- Small footprint
- Low ceiling height
- Heavy-duty construction
- Seismic approval (up to zone 4)
- Easy assembly
- All hardware included
- Still allows for complete servicing



COMMERCIAL



HI DELTA RACK KIT							
OPTION #	X-1			X-2		X-3	
	SEISMIC GROUND LEVEL	KIT-SURE RACK (2 Boilers)		SEISMIC ABOVE GROUND	KIT-ADD ON Zone 4 Add to Stand Rack price		Bracket Restraint
MODEL	ZONE	PART NUMBER	LIST PRICE	ZONE	PART NUMBER	LIST PRICE	P/N & NET PRICE
302	4	006906	\$1,609	4	011919	\$361	P/N 008136 \$711
402	4	006907	\$1,823				
502	4	006908	\$1,829				
652	4	006909	\$1,860				
752	4	006910	\$1,874				
902	4	006911	\$1,920				
992	3	011563	\$1,963				
1262	3	011564	\$2,019	4	011920	\$380	P/N 008147 \$770
1532	3	011565	\$2,072				
1802	3	011566	\$2,233				
2002	3	011567	\$2,700				
2072	3	011567	\$2,700				
2342	3	011568	\$2,790				

NOTE: X-1 Racks are for ground level seismic rating only. You must add X2 add on kit to get Zone 4-above ground approval.

X-4				SEISMIC INFORMATION			
MODEL	RACK EXTENSION	P/N	LIST PRICE	SEISMIC ZONE 3		SEISMIC ZONE 4	
				GROUND LEVEL	ABOVE GROUND	GROUND LEVEL	ABOVE GROUND
302-902	8"	S03610	\$387	STANDARD	STANDARD	STANDARD	ADD KIT NO. 007046
992-2342	8"	S03514	\$398	STANDARD	STANDARD	ADD KIT # 007053	



# HIGH EFFICIENCY CHX/Hi DELTA SYSTEM INSTRUCTIONS FOR PRICING AND SELECTION

COMMERCIAL

1. Determine the system that suits your requirements. See pages 43 to 48.
2. Net prices on page 29 does not include boilers, boiler options or boiler rack.
3. The system pricing includes the parts as listed on the drawings on page 43 to 48. Items supplied will have option numbers. Items without option numbers are not included in the pricing matrix.
4. If you do not want Raypak to supply certain items or power vents please order by the system number and note any deducts on your purchase order.
5. Any of the systems listed can utilize PVC/CPVC piping as long as the system complies with the criteria listed in Table 1 page 42. If you do select PVC/CPVC piping you must add a special high limit for each unit. See page 42 table 1 note section for pricing.
6. FOR CONFIGURATIONS OTHER THAN THE FOLLOWING PLEASE CONTACT YOUR REGIONAL MANAGER.

## THE FOLLOWING STATEMENT IS FOR SYSTEM'S# HDCHX 1, 2, 3, 5, 7, & 9

7. All of the fixed-speed systems can be used when you direct vent the combustion air from the outside but you must have openings in the wall that will provide the proper quantity of excess air to operate the barometric damper. (Half of total area of combustion air requirements.)

**Example:** 1 Square inch of net free area per 4000 BTUH of input. This opening must commence within twelve inches of top of room.

**System HDCHX1:** When selecting this system you must have room air for ventilation and combustion air. See comment #6 above. The Power Vent can be mounted either as shown or as near the ceiling as possible. All flue piping above the power vent must be Category IV. Connecting piping will not be provided.

**System HDCHX2:** The same instructions as shown on System HDCHX1 above.

**System HDCHX3:** The same instructions as shown on System HDCHX1 above.

**System HDCHX4:** This system is designed to be used when you direct vent the combustion air from the outside. A wall opening that communicates directly with the outdoors is required for ventilation air in accordance with the Hi Delta Installation and Operating Manual. The installation will have no inside air to operate the unit and must have a variablespeed extractor provided by the installer. The extractor may be installed either vertically or horizontally.

**System HDCHX5:** A fixed-speed extractor provided by the installer must be used with the barometric damper. The extractor may be installed either vertically or horizontally.

**System HDCHX6:** The same instructions as shown on System HDCHX4 above.

**System HDCHX7:** The same instructions as shown on System HDCHX5 above.

**System HDCHX8:** The same instructions as shown on System HDCHX4 above.

**System HDCHX9:** The same instructions as shown on System HDCHX5 above.

**CONSULT FACTORY IF OUTDOOR INSTALLATION.**

# HI DELTA CHX PRICE SHEET

COMMERCIAL

Hi Delta Model #	Power Vent			Dia	CHX Model #	CHX* Part #	Price	Baro Damper		Termination Cap	
	D-2							D-12		D-15	
	Part No.	Dia	Price					Part #	Price	Part #	Price
402B/502B	009511	8"	\$2,102	6"	500-6	010782	\$6,375	009518	\$171	006644	\$143
652B	009511	8"	\$2,102	8"	500-8	009484	\$6,375	009519	\$204	006646	\$163
752B/902B	009511	8"	\$2,102	8"	750-8	010783	\$7,651	009519	\$204	006646	\$163
992B	009512	10"	\$2,754	10"	1000-10	010784	\$8,926	009520	\$333	006650	\$166
1262B	009512	10"	\$2,754	12"	1000-12	009485	\$8,926	009521	\$445	007989	\$359
1532B	009512	10"	\$2,754	12"	1500-12	010785	\$11,475	009521	\$445	007989	\$359
1802B-2002B	009512	10"	\$2,754	14"	1500-14	009486	\$11,475	009522	\$488	007002	\$360

Hi-Delta Model #	Dia	Baro. tee Adapter (Cat IV)		Termination Adapter		Flue Exhaust Elbow		Barometric Tee		Male Adapter (Category IV)	
		D-18		D-19		D-24		D-26		D-27	
		Part No.	Price	Part No.	Price	Part No.	Price	Part No.	Price	Part No.	Price
402B/502B	6"	007005	\$86	007015	\$69	009513	\$278	009530	\$147	009560	\$123
652B	8"	007006	\$99	007016	\$99	009514	\$361	009531	\$168	009561	\$197
752B/902B	8"	007006	\$99	007016	\$99	009514	\$361	009531	\$168	009561	\$197
992B	10"	007007	\$151	007017	\$161	009515	\$540	009532	\$261	009562	\$169
1262B	12"	007008	\$181	007018	\$167	009516	\$670	009533	\$342	009563	\$197
1532B	12"	007008	\$181	007018	\$167	009516	\$670	009533	\$342	009563	\$197
1802B-2002B	14"	007009	\$199	007019	\$195	009517	\$747	009534	\$403	009564	\$305

Hi-Delta Model #	Dia	Female Adapter (Cat IV)		Flue Exhaust Extension		CHX Rack Kit Tall		CHX & Rack Kit		Silicone Tube 10 oz.	
		D-28		D-29		X-5		X-6		Z-11	
		Part No.	Price	Part No.	Price	Part No.	Price	Part No.	Price	Part No.	Price
402B/502B	6"	009565	\$169	009535	\$143	009528	\$1,828	011640	\$6,548	005755F	\$59
652B	8"	009575	\$181	009536	\$200	009528	\$1,828	011641	\$6,548	005755F	\$59
752B/902B	8"	009566	\$255	009536	\$200	009528	\$1,828	011642	\$7,825	005755F	\$59
992B	10"	009567	\$326	009537	\$644	009905	\$1,921	011643	\$9,099	005755F	\$59
1262B	12"	009568	\$338	009538	\$709	009905	\$1,921	011644	\$9,099	005755F	\$59
1532B	12"	009576	\$338	009538	\$709	009905	\$1,921	011645	\$11,649	005755F	\$59
1802B-2002B	14"	009569	\$392	009539	\$874	009905	\$1,921	011646	\$11,649	005755F	\$59

\* CHX kits supplied with extra weights for Barometric Damper.

The following systems include parts listed above and supplied by Raypak. For a list of the exact contents, refer to drawings indicated by the system number. If there is an item that you do not want Raypak to provide, use the pricing below and show the deduction on your purchase order.

SYSTEM #	HDCHX-1	HDCHX-2	HDCHX-3	HDCHX-4	HDCHX-5	HDCHX-6	HDCHX-7	HDCHX-8	HDCHX-9
402B/502B	\$11,550	\$9,617	\$21,032	\$8,918	\$9,236	\$6,985	\$7,303	\$15,768	\$16,404
652B	\$11,836	\$9,820	\$21,495	\$9,100	\$9,472	\$7,084	\$7,456	\$16,023	\$16,767
752B/902B	\$13,186	\$11,171	\$24,196	\$10,450	\$10,822	\$8,435	\$8,807	\$18,724	\$19,468
992B	\$15,767	\$13,479	\$29,350	\$12,092	\$12,686	\$9,804	\$10,398	\$22,000	\$23,188
1262B	\$16,359	\$13,941	\$30,339	\$12,292	\$13,079	\$9,874	\$10,661	\$22,205	\$23,779
1532B	\$18,908	\$16,491	\$35,438	\$14,841	\$15,628	\$12,424	\$13,211	\$27,304	\$28,878
1802B-2002B	\$19,298	\$16,804	\$36,229	\$15,098	\$15,989	\$12,604	\$13,495	\$27,829	\$29,611

# HI DELTA CHX VENTING OPTIONS

Table I - Hi Delta/CHX Venting Options

Maximum Inlet Water Temperature to CHX	Extractor		Power Venter	
	Fixed-Speed, Roof-Mtd. w/Barometric Damper. Cat/Mat	Variable-speed, Roof-Mtd. NO Barometric Damper. Cat/Mat	w/ Barometric Damper. Cat/Mat	Wall- or Ceiling-Mtd. w/Barometric Damper. Cat/Mat
Up to 100 F e.g.: Pool, Heat Pump	Cat I / CPVC or "B" Vent	Cat IV / PVC	Cat IV / PVC	Cat I / CPVC or "B" Vent
Up to 120 F e.g.: Low Temp. DHW	Cat I / CPVC or "B" Vent	Cat IV / CPVC	Cat IV / CPVC	Cat I / CPVC or "B" Vent
120 to 140 F e.g.: Typical DHW	Cat IV / CPVC	Cat IV / CPVC	Not Permitted	Not Permitted
Above 140 F Steady State	Cat I / "B" Vent	Cat IV / AL29-4C	Cat IV / AL29-4C	Cat I / "B" Vent

NOTE: Venting selection of PVC, add I-9, P/N 007074 listed below.  
Venting selection of CPVC, add I-10, P/N 007075 listed below.

MODEL	DESCRIPTION	PART NUMBER	SHIPPING WEIGHT (LBS)	LIST PRICE
<b>I-9: HIGH LIMIT</b>	PVC High Temperature	007074		\$123
<b>I-10: HIGH LIMIT</b>	CPVC High Temperature	007075		\$123

Table II - Power Venter/Extractor Sizing Chart

Hi Delta Model #	CHX Model #	Barometric Damper Diameter	Fixed Speed with Barometric Dampers				Variable Speed Extractors	
			Power Venter	Extractors			Tjernlund Model VSAD	Exhausto Model CASV
			Tjernlund Model HS	Tjernlund Model FSAD	Exhausto Model RSV	Fields Model SWG		
402B	500-6	8"	4	8 or 10	14 or 200	8,10	8	14 or 200
502B	500-6	8"	4	10	16 or 250	10	8	14 or 200
652B	500-8	8"	4	10	16 or 250	10	8	14 or 200
752B	750-8	8"	4	10	16 or 250	10	8	16 or 200
902B	750-8	8"	4	10	250	10	8	200 or 250
992B	1000-10	10"	5	10 or 12	250 or 315	10	8	250
1262B	1000-12	12"	5	12	315	12	8	250
1532B	1500-12	12"	5	12	315	12	8	250
1802B	1500-14	14"	5	12	315	14	8	250
2002B	1500-14	14"	5	12	315	14	10	315

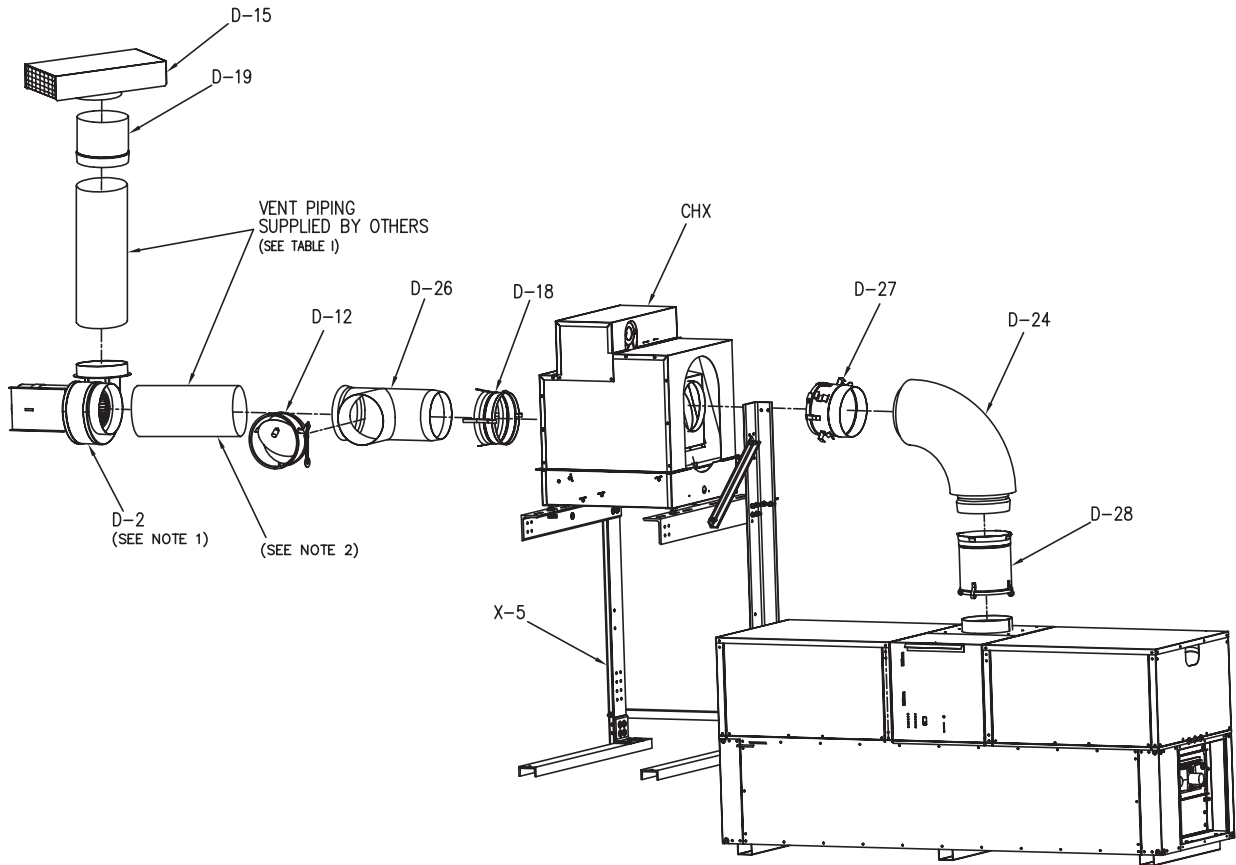
NOTES:

1. All fans are sized to include 100 EQ ft of vent.
2. Variable speed extractor sizing does not include dilution air through a barometric damper.
3. Raypak only offers Tjernlund HS series Power Venters.
4. Raypak does not supply extractors or other types of power venters.
5. All options require an extractor or power venter to overcome the pressure drop through the CHX.

COMMERCIAL

# HI DELTA CHX SYSTEM # HDCHX1

FIGURE 1  
CHX Top Mounted w/Power Venter



COMMERCIAL

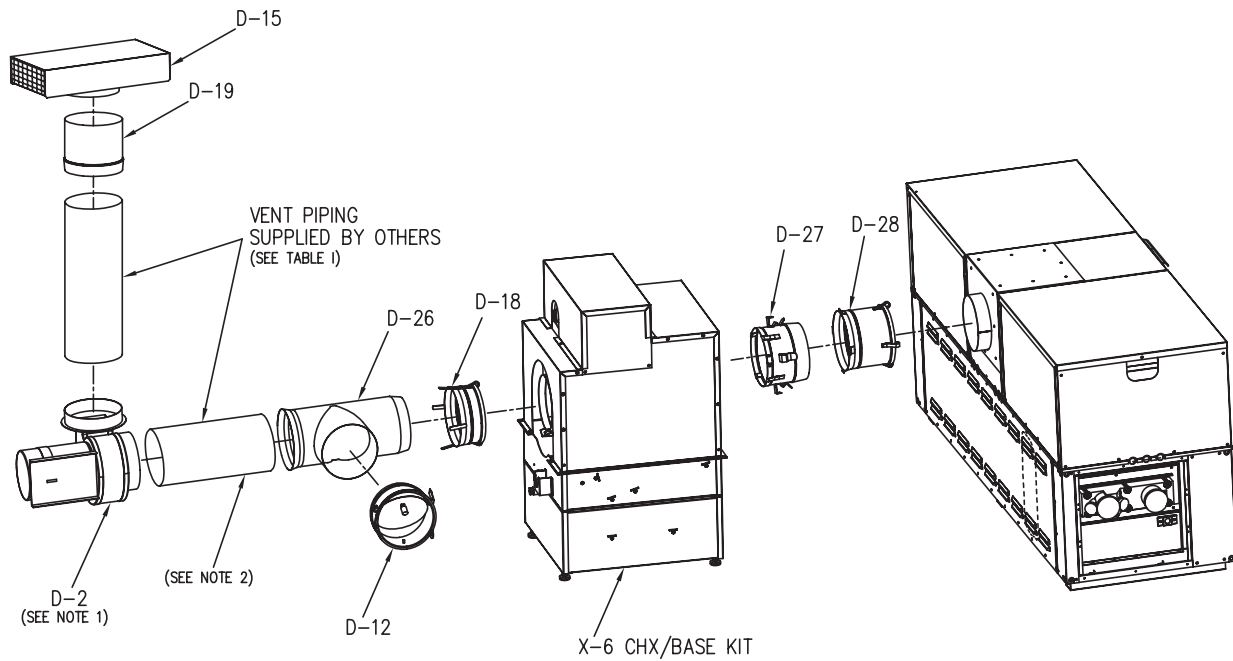
**NOTES:**

1. Field supplied transition adapter may be required.
2. Lockable balancing or blast baffle may be required between baromatic damper and power venter/extractor to control excess draft.
3. See page 42, Table 1 to determine vent category.

# HI DELTA CHX SYSTEM # HDCHX2

FIGURE 2  
CHX Rear Mounted w/Power Venter

COMMERCIAL

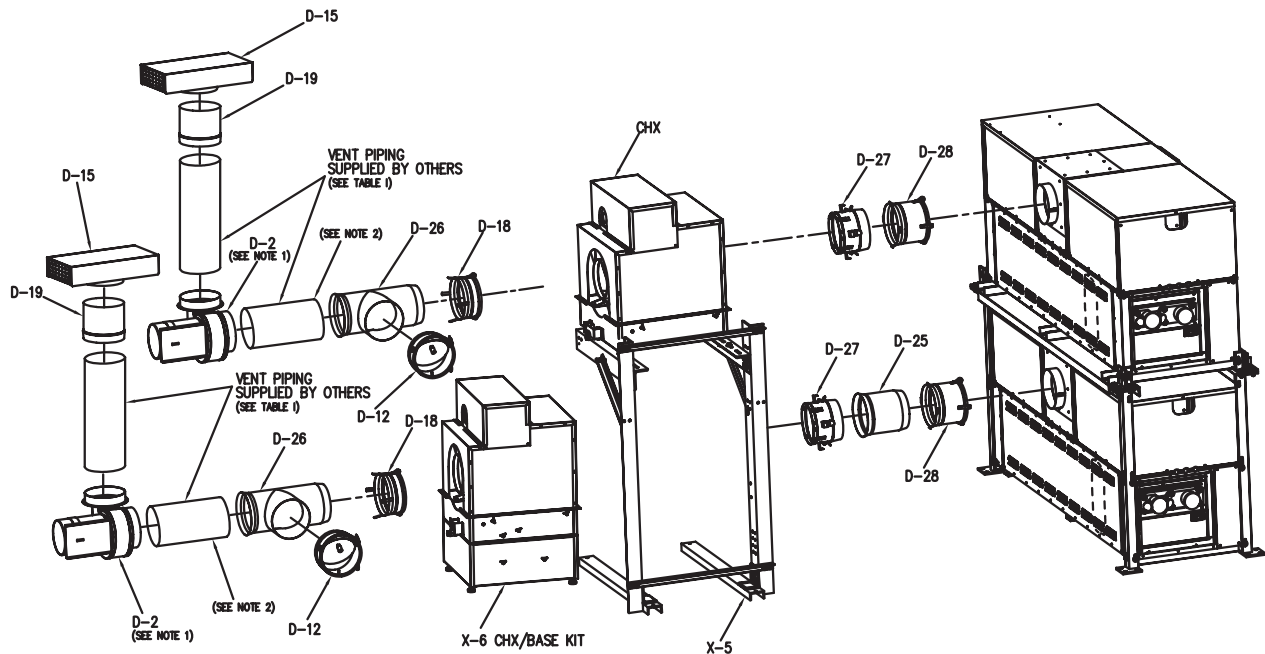


## NOTES:

1. Field supplied transition adapter may be required.
2. Lockable balancing or blast baffle may be required between barometric damper and power venter/extractor to control excess draft.
3. See page 42, Table 1 to determine vent category.

# HI DELTA CHX SYSTEM # HDCHX3

FIGURE 3  
CHX Stacked Rear Mounted w/Power Venter



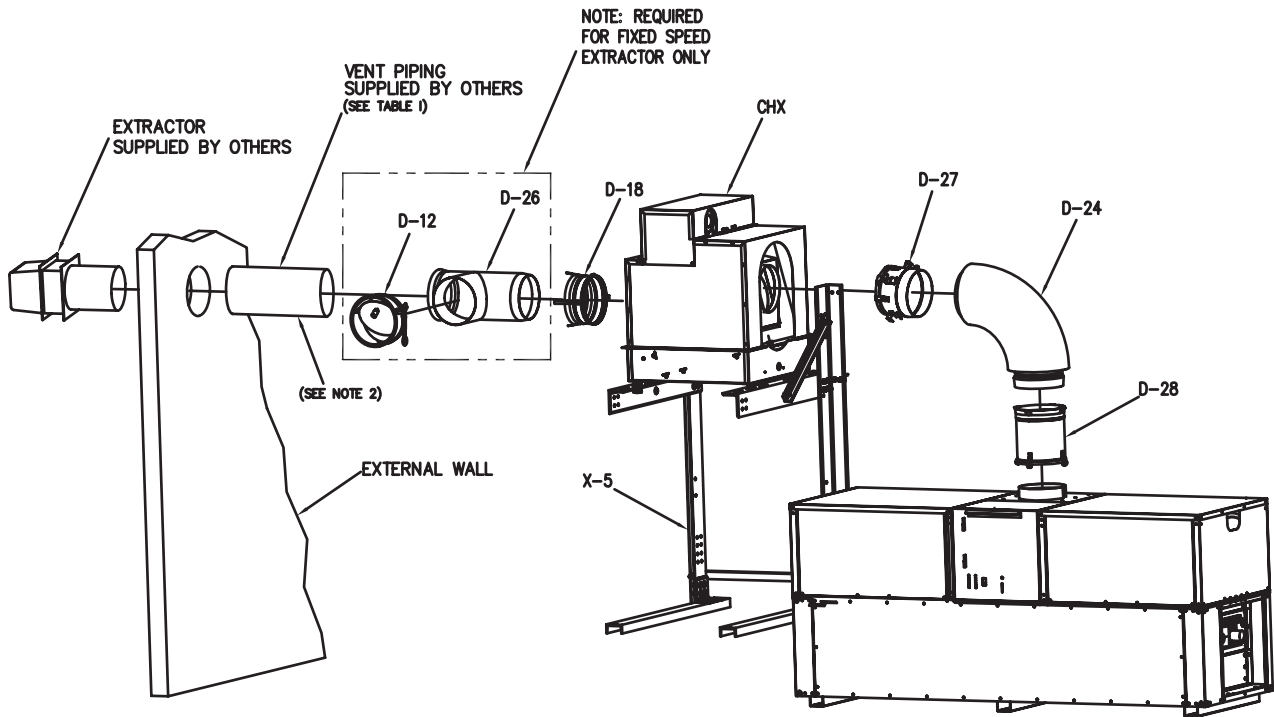
COMMERCIAL

## NOTES:

1. Field supplied transition adapter may be required.
2. Lockable balancing or blast baffle may be required between baromatic damper and power venter/extractor to control excess draft.
3. See page 42, Table 1 to determine vent category.

# HI DELTA CHX SYSTEM # HDCHX4, SYSTEM # HDCHX5

FIGURE 4  
CHX Top Mounted w/Extractor  
System #HDCHX4 - Variable Speed Extractor  
System #HDCHX5 - Fixed Speed Extractor

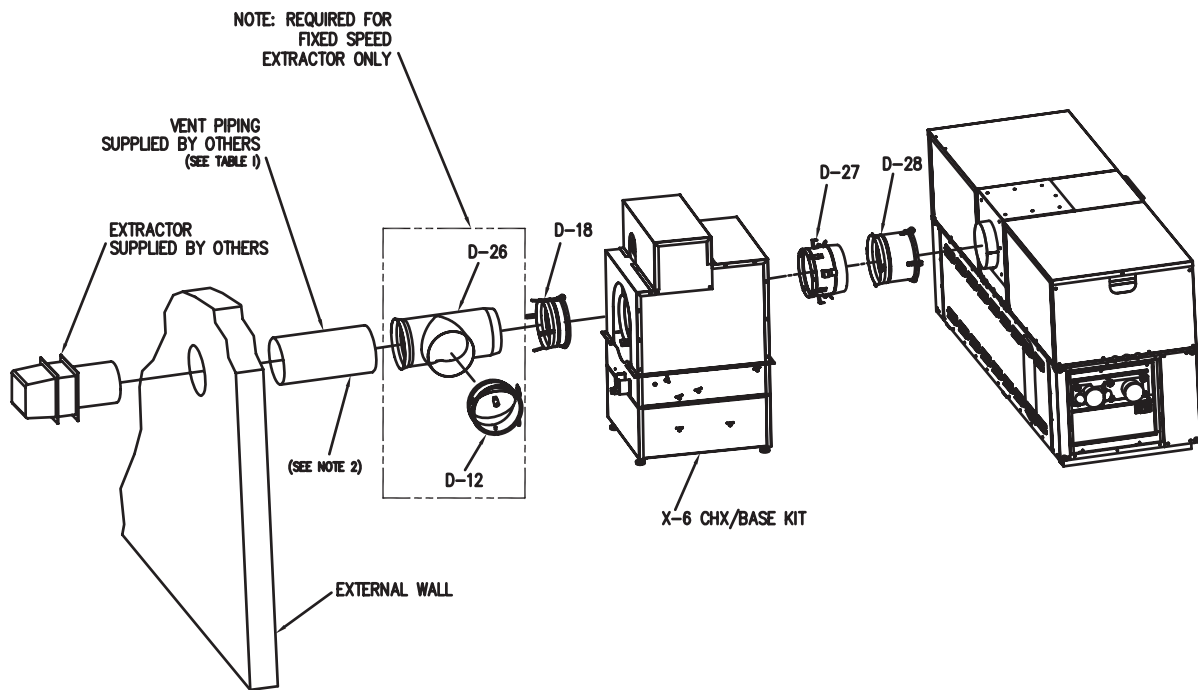


**NOTES:**

1. Field supplied transition adapter may be required.
2. Lockable balancing or blast baffle may be required between baromatic damper and power venter/extractor to control excess draft.
3. See page 42, Table 1 to determine vent category.
4. Extractors may be installed vertically or horizontally.
5. Extractors supplied by others.

# HI DELTA CHX SYSTEM # HDCHX6, SYSTEM # HDCHX7

FIGURE 5  
CHX Rear Mounted w/Extractor  
System #HDCHX6 - Variable Speed Extractor  
System #HDCHX7 - Fixed Speed Extractor



## NOTES:

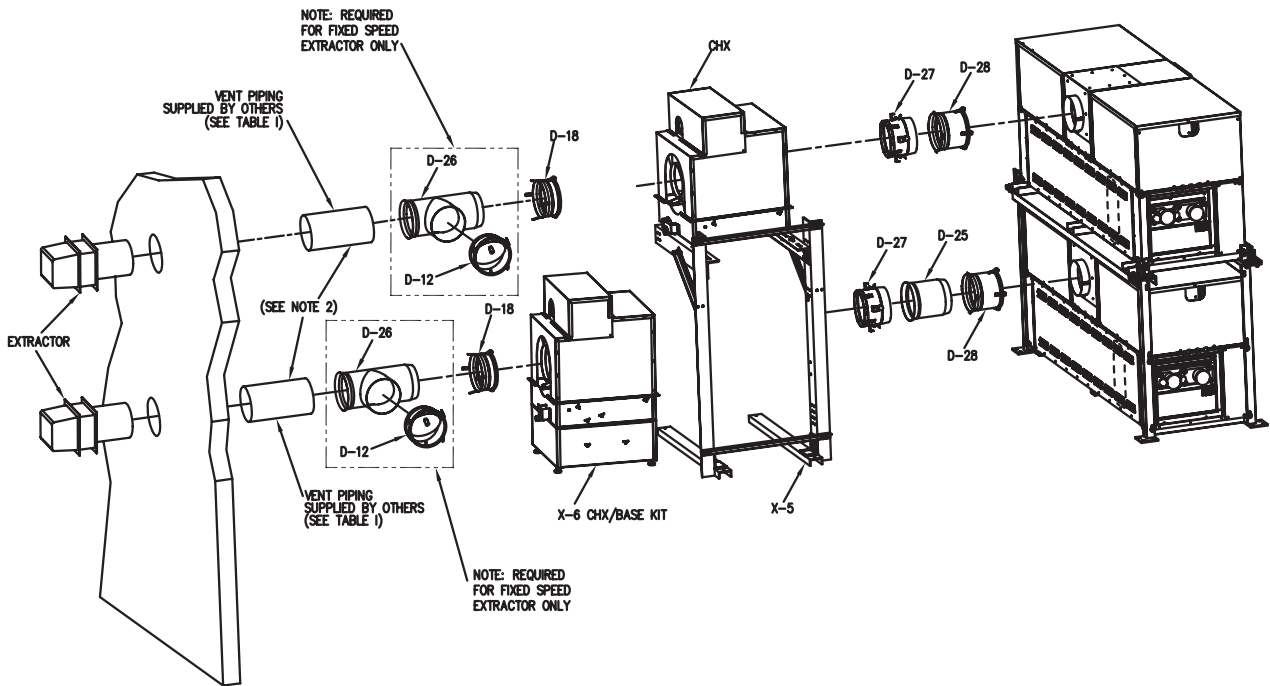
1. Field supplied transition adapter may be required.
2. Lockable balancing or blast baffle may be required between barometric damper and power venter/extractor to control excess draft.
3. See page 42, Table 1 to determine vent category.
4. Extractors may be installed vertically or horizontally.
5. Extractors supplied by others.



# HI DELTA CHX SYSTEM # HDCHX8, SYSTEM # HDCHX9

FIGURE 6

CHX Stacked Rear Mounted w/Extractor  
System #HDCHX8 - Variable Speed Extractor  
System #HDCHX9 - Fixed Speed Extractor



NOTES:

1. Field supplied transition adapter may be required.
2. Lockable balancing or blast baffle may be required between baromatic damper and power venter/extractor to control excess draft.
3. See page 42, Table 1 to determine vent category.
4. Extractors may be installed vertically or horizontally.
5. Extractors supplied by others.

# HI DELTA OPTIONS

MODEL	DESCRIPTION	PART NUMBER	SHIPPING WEIGHT (LBS)	LIST PRICE
<b>A-6: RIGHT-HAND WATER</b>				
P 302B-2342B		069056		\$264
<b>C-6: LOCKOUT IGNITION MODULE - MANUAL RESET</b>				
P 302B-1262B				\$52
P 1532B-2342B				\$104
<b>D-11: OUTDOOR TOP</b>				
P 302B	5"	010793	15	\$138
P 402B/502B	6"	010794	15	\$153
P 652B/752B/902B	8"	010795	15	\$191
P 992B	10"	010796	20	\$286
P 1262B/1532B	12"	010797	20	\$327
P 1802B/2002B/2072B	14"	010798	25	\$456
P 2342B	16"	010799	25	\$550
<b>NOTE:</b> Includes an intake, vent hood and flow switch cover for outdoor units.				
<b>D-12: BAROMETRIC DAMPER W/O THERMAL SWITCH - Single Acting</b>				
P 302B	5"	920325	10	\$142
P 402B/502B	6"	920142	12	\$171
P 652B/752B/902B	8"	920144	15	\$204
P 992B	10"	920146	18	\$345
P 1262B/1532B	12"	920147	20	\$460
P 1802B/2002B/2072B	14"	920148	22	\$505
P 2342B	16"	920149	25	\$707
<b>D-14: FLUE EXHAUST TEE BACK OUTLET - MOUNTED</b>				
P 302B	5"	073597		\$205
P 402B/502B	6"	073598		\$205
P 652B/752B/902B	8"	073599		\$217
P 992B	10"	073600		\$341
P 1262B/1532B	12"	073601		\$379
P 1802B/2002B/2072B	14"	073602		\$482
P 2342B	16"	073603		\$546
<b>D-15: VENT TERMINATION CAP - Horizontal installation (CATEGORY III OR IV)</b>				
P 302B	5"	007000	10	\$142
P 402B/502B	6"	006644	6	\$143
P 652B/752B/902B	8"	006646	10	\$163
P 992B	10"	006650	9	\$166
P 1262B/1532B	12"	007001	38	\$359
P 1802B/2002B/2072B	14"	007002	36	\$360
P 2342B	16"	007003	33	\$361
<b>D-16: AIR INTAKE ELBOW - 90° with screen</b>				
P 302B/902B	6"	006997	3	\$40
P 992B-2342B	10"	006999	5	\$67
<b>D-17: INLINE AIR INTAKE FILTER - Required only when TruSeal is used</b>				
P 302B/902B	6"	006926	10	\$96
P 992B-2342B	10"	006928	10	\$102

COMMERCIAL

# HI DELTA OPTIONS

COMMERCIAL

MODEL	DESCRIPTION	PART NUMBER	SHIPPING WEIGHT (LBS)	LIST PRICE
<b>D-18: VENT ADAPTER (CATEGORY III &amp; IV)</b>				
FOR USE WITH HEAT-FAB SAF-T VENT #AL294C SINGLE & DOUBLE WALL VENT				
P 302B	5"	007004	1	\$76
P 402B/502B	6"	007005	6	\$86
P 652B/752B/902B	8"	007006	2	\$99
P 992B	10"	007007	3	\$151
P 1262B/1532B	12"	007008	3	\$181
P 1802B/2002B/2072B	14"	007009	2	\$199
P2342B	16"	007010	2	\$232

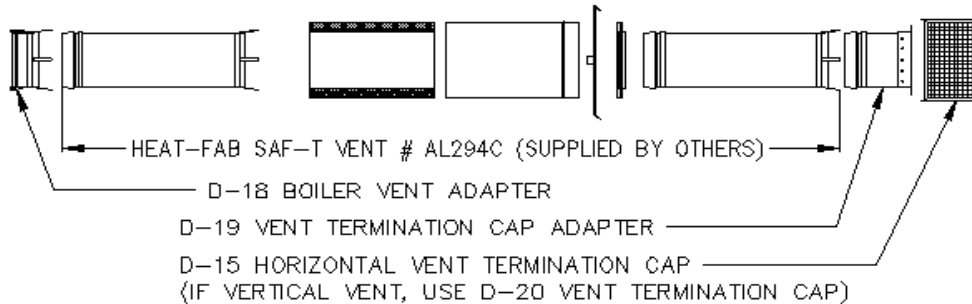
## D-19: VENT TERMINATION CAP ADAPTER (CATEGORY III & IV)

FOR USE WITH HEAT-FAB SAF-T VENT #AL294C SINGLE & DOUBLE WALL VENT

P 302B	5"	007014	2	\$63
P 402B/502B	6"	007015	2	\$69
P 652B/752B/902B	8"	007016	3	\$99
P 992B	10"	007017	2	\$161
P 1262B/1532B	12"	007018	6	\$167
P 1802B/2002B/2072B	14"	007019	3	\$195
P 2342B	16"	007020	2	\$212

### THROUGH THE WALL

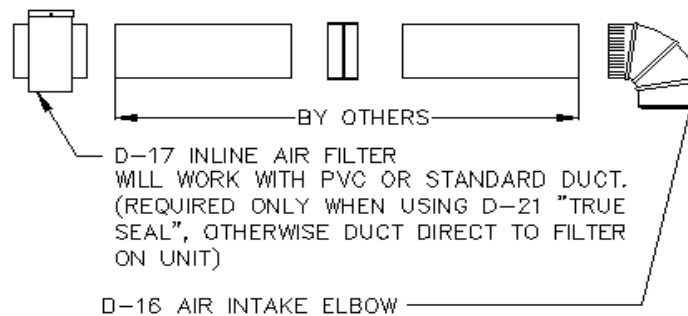
#### VENTING



#### NOTES:

1. ADAPTERS GOOD FOR SINGLE WALL OR DOUBLE WALL VENT.
2. CATEGORY III AND IV.

### AIR INTAKE PIPE



# HI DELTA OPTIONS

COMMERCIAL

MODEL	DESCRIPTION	PART NUMBER	SHIPPING WEIGHT (LBS)	LIST PRICE
<b>D-20: VENT TERMINATION CAP - VERTICAL (CATEGORY I) - use on units w/o condensing HE</b>				
P 302B	5"	010801		\$101
P 402B/502B	6"	010802		\$131
P 652B/752B/902B	8"	010803		\$169
P 992B	10"	010804		\$237
P 1262B/1532B	12"	010805		\$274
P 1802B/2002B/2072B	14"	010806		\$400
P 2342B	16"	010807		\$472

## D-21: TruSeal™ AIR INTAKE SYSTEM - Must also use D-17, Inline Air Filter

P 302B, 402B	Right Side only	072411		\$427
P 502B-902B	Left Side	072412		\$455
P 502B-902B	Right Side only	072413		\$487
P 992B	Left Side	073331		\$689
P 992B	Right Side	073332		\$689
P 1262B	Left Side	072501		\$689
P 1262B	Right Side	072535		\$689
P 1532B-1802B	Left Side	072502		\$765
P 1532B-1802B	Right Side	072536		\$765
P 2002B-2342B	Right Side only	072503		\$859

### Notes:

1. Required to meet ANSI direct vent verification.
2. Must utilize Inline Air Intake Filter (D-17) if indoor unit.
3. Air intake is standard on the left side. Raypak will switch sides if you order right hand TruSeal.
4. See diagram on page 50.

## E-5: ALARM CENTER

P 302B-2342B	3" BELL	MOUNTED		\$433
P 302B-2342B	4" BELL	MOUNTED		\$730

## F-10: LOW WATER CUTOFF - REMOTE TYPE

P 302B-2342B	MANUAL RESET			\$409
--------------	--------------	--	--	-------

## G: CODE CONTROLS

G-1: CSD-1 CODE CONTROLS	P 302B-402B	COMPLIES
	P 502B-902	\$849
	P 992B-1262B	\$450
	P 1532B-2342B	\$901
G-4: ILLINOIS SCHOOL CODE (BOCA)	P 302B-2342B	\$594
G-7: NEW MEXICO CODE	P 302B-2342B	See G-1, CSD-1
G-8: WASHINGTON STATE CODE	P 302B-2342B	See G-1, CSD-1
G-9: KENTUCKY CODE CONTROLS	P 302B-2342B	COMPLIES
G-12: CALIFORNIA CODE CONTROLS	P 302B-2342B	\$409

**Note:** As of the 2004 Edition of CSD-1, ANSI Z21.56 pool heaters are specifically exempted from CSD-1. Not all states have adopted the 2004 revision.

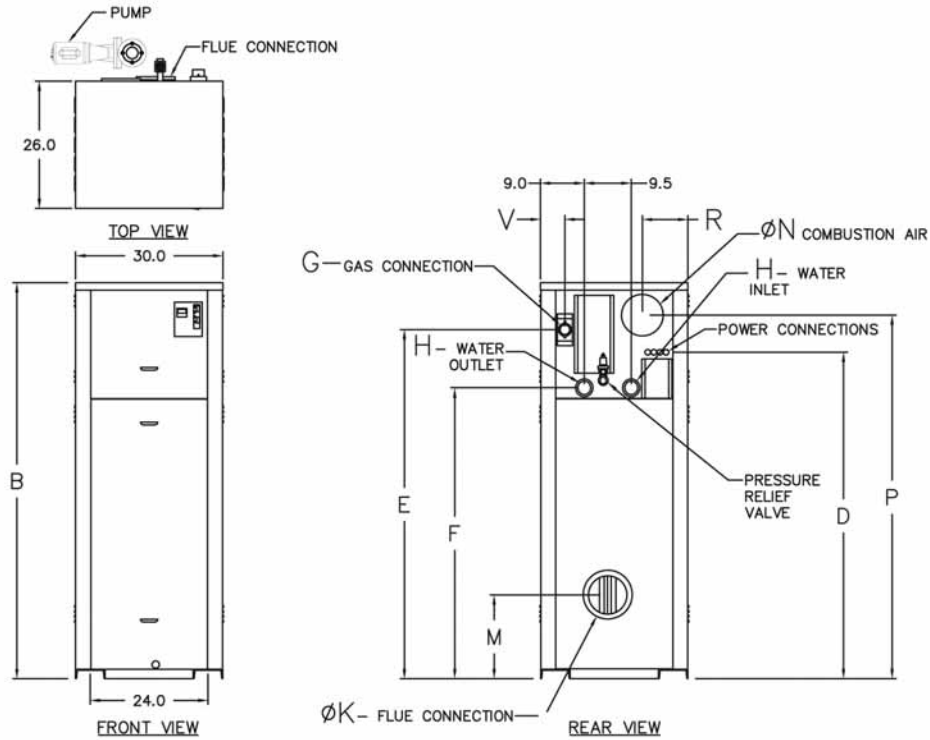
# HI DELTA OPTIONS

COMMERCIAL

MODEL	DESCRIPTION	PART NUMBER	SHIPPING WEIGHT (LBS)	LIST PRICE
<b>G-20: LOW GAS PRESSURE - 4"</b>				
P 502B-902B				\$281
P 992B-2342B	Must be included in order			No Charge
<b>I-6: TEMPERATURE LIMITING CONTROL - MAX 100 °F</b>				
652B-2342B		006040		\$185
<b>M-1: SAFETY VALVES, MOTORIZED</b>				
P 302B-992B				\$1,538
P 1262B-2342B				\$1,667
<b>M-10: SAFETY VALVES, SOLENOID</b>				
P 302B-992B				\$560
P 1262B-2342B				\$672
<b>S-1: GAS PRESSURE SWITCH - LOW</b>				
P 302B-902B				\$399
P 992B-2342B		STANDARD		
<b>S-2: GAS PRESSURE SWITCH - HIGH</b>				
P 302B-1262B				\$399
P 1532B-2342B	(Requires 2)			\$798

# MVB 504, 754, 1104, 1504, 2004

- 85% efficiency
- Low NOx
- Compact footprint 5-1/2 FT<sup>2</sup>
- Fan-assisted combustion design
- Indoor/outdoor installation
- Cupro-nickel fin tubes
- Bronze headers
- Non-ferrous bypass assembly
- Bronze pump
- CAT I -if vented vertically



COMMERCIAL

\* Shown without H-bypass

DIMENSIONS ARE IN INCHES.

Model	MBTUH		B	D	E	F	G NPT	H NPT	K Flue ø	M	N C/A ø	P	R	V	Foot Print Ft <sup>2</sup>	MVB Amp Draw	System Pump (included)		
	Input	Output															Model	HP	Amps
504	500	420	43	30	35	23-3/4	1	2	8	14-1/8	6	36	6	2	5.4	12	1611	1/4	6
754	750	630	49	36	41	29-3/4	1	2	10	16	6	42	6	2	5.4	12	1630	1/2	7
1104	1100	935	55	43	47	35-3/4	1-1/4	2-1/2	10	16	6	49	6	2	5.4	12	1630	1/2	7
1504	1500	1275	61	50	53	41-3/4	1-1/4	2-1/2	12	18-1/8	6	53	6	2	5.4	12	1634	1	14
2004	1900	1615	75	61	65	53-3/4	2	2-1/2	14	20-1/8	9	69	9	5	5.4	18	1636	1-1/2	22

MODEL	GAS	ELEVATION (feet)	PART NUMBER	SHIPPING WEIGHT (LBS)	LIST PRICE
P 504	Natural	0-4500	012239	600	\$18,516
P 754	Natural	0-4500	012240	660	\$19,016
P 1104	Natural	0-4500	012241	720	\$24,848
P 1504	Natural	0-4500	012242	780	\$28,446
P 2004	Natural	0-4500	012243	940	\$32,971
P 504	Propane	0-4500	012244	600	\$18,516
P 754	Propane	0-4500	012245	660	\$19,016
P 1104	Propane	0-4500	012246	720	\$24,848
P 1504	Propane	0-4500	012247	780	\$28,446
P 2004	Propane	0-4500	012248	940	\$32,971

List price does not include Vent Termination Cap or Air Filter.

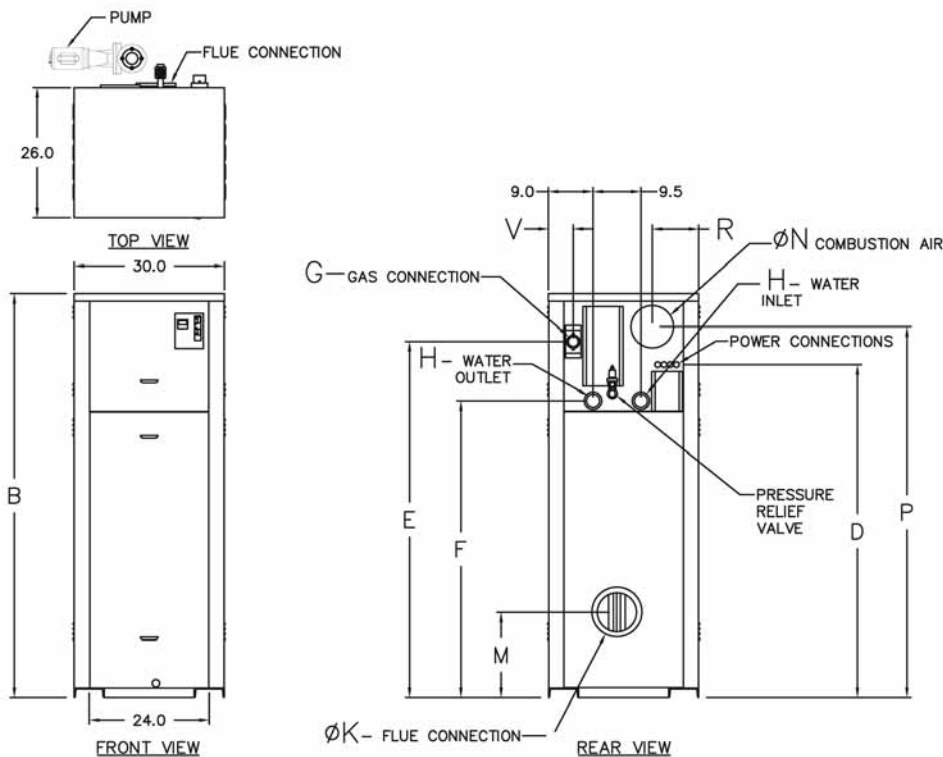
For Parts See Page 214

# COLD RUN MVB 504, 754, 1104, 1504, 2004



- 85% efficiency
- Low NOx
- Compact footprint 5-1/2 FT<sup>2</sup>
- Fan-assisted combustion design
- Indoor/outdoor installation
- Cupro-nickel fin tubes
- Bronze headers
- Non-ferrous bypass assembly
- Bronze pump
- CAT I -if vented vertically

COMMERCIAL



Injector Pump (included)			
Model	Taco #	HP	Volts 3 phase
504	1911	1/4	208/230
754	1911	1/3	208/230
1104	1911	1/3	208/230
1504	1911	1/3	208/230
2004	1935	3/4	208/230

\* Shown without H-bypass

DIMENSIONS ARE IN INCHES.

Cold Run Controller requires two power inputs, 120VAC/1 Phase and 208/230 VAC 1 Phase.

Model	MBTUH		B	D	E	F	G NPT	H NPT	K Flue ø	M	N C/A ø	P	R	V	Foot Print Ft <sup>2</sup>	MVB Amp Draw
	Input	Output														
504	500	420	43	30	35	23-3/4	1	2	8	14-1/8	6	36	6	2	5.4	12
754	750	630	49	36	41	29-3/4	1	2	10	16	6	42	6	2	5.4	12
1104	1100	935	55	43	47	35-3/4	1-1/4	2-1/2	10	16	6	49	6	2	5.4	12
1504	1500	1275	61	50	53	41-3/4	1-1/4	2-1/2	12	18-1/8	6	53	6	2	5.4	12
2004	1900	1615	75	61	65	53-3/4	2	2-1/2	14	20-1/8	9	69	9	5	5.4	18

System Pump (included)		
Taco #	HP	Amps
1611	1/4	6
1611	1/4	7
1630	1/2	7
1634	1	14
1636	1-1/2	22

MODEL	GAS	ELEVATION (feet)	PART NUMBER	SHIPPING WEIGHT (LBS)	LIST PRICE
P 504	Natural	0-4500	012480	600	\$21,906
P 754	Natural	0-4500	012481	660	\$22,406
P 1104	Natural	0-4500	012482	720	\$28,396
P 1504	Natural	0-4500	012483	780	\$31,994
P 2004	Natural	0-4500	012484	940	\$36,966
P 504	Propane	0-4500	012485	600	\$21,906
P 754	Propane	0-4500	012486	660	\$22,406
P 1104	Propane	0-4500	012487	720	\$28,396
P 1504	Propane	0-4500	012488	780	\$31,994
P 2004	Propane	0-4500	012489	940	\$36,966

List price does not include Vent Termination Cap or Air Filter.

# MVB OPTIONS

COMMERCIAL

MODEL	DESCRIPTION	PART NUMBER	SHIPPING WEIGHT (LBS)	LIST PRICE
<b>C-6: LOCKOUT IGNITION MODULE - SINGLE TRY MANUAL RESET</b>				
P504-2004		069305	30	\$62
<b>D-11: OUTDOOR TOP</b>				
P504		011895	30	\$207
P754-1104		012285	35	\$245
P1504		012286	40	\$384
P2004		012287	50	\$428
<b>D-15: VENT TERMINATION CAP</b>				
P504	8"	006646	13	\$163
P754-1104	10"	006650	10	\$166
P1504	12"	007001	38	\$360
P2004	14"	007002	36	\$360
<b>D-17: AIR INTAKE FILTER-PREMIUM</b>				
P504-1104	6"			\$96
P1504-2004	8"			\$209
<b>D-18: VENT ADAPTER (CATEGORY III &amp; IV)</b>				
P504		007006	2	\$99
P754-1104		007007	3	\$151
P1504		007008	3	\$181
P2004		007009	2	\$199
<b>D-19: VENT TERMINATION CAP (CATEGORY III &amp; IV)</b>				
P504		007016	3	\$99
P754-1104		007017	2	\$161
P1504		007018	6	\$167
P2004		007019	3	\$195
<b>D-20: VENT TERMINATION CAP - VERTICAL (CATEGORY I) - use on units w/o condensing HE</b>				
P504	8"	010803	4	\$169
P754-1104	10"	010804	4	\$237
P1504	12"	010805	8	\$274
P2004	14"	010806	10	\$400
<b>D-23: FLUE SUPPORT BRACKETS</b>				
P504-1104		012185	15	\$155
P1504-2004		012186	25	\$197
<b>E-5: ALARM CENTER</b>				
P504-2004	3" BELL	MOUNTED		\$570
P504-2004	4" BELL	MOUNTED		\$867
<b>E-11: DRY CONTACT</b>				
P504-2004	REMOTE ALARM	MOUNTED		\$293
<b>F-10: LOW WATER CUTOFF - REMOTE TYPE</b>				
P504-2004	MANUAL RESET			\$409



# MVB OPTIONS

COMMERCIAL

MODEL	DESCRIPTION	PART NUMBER	SHIPPING WEIGHT (LBS)	LIST PRICE
<b>G: CODE CONTROLS -Consult local authorities for all code requirements</b>				
G-1: CSD-1/GE GAP		P504-2004		\$797
G-2: VENT VALVE COMBO		P504-2004		\$2,874
G-4: ILLINOIS SCHOOL		P504-2004		USE F-10
G-7: NEW MEXICO CODE CONTROLS		P504-2004		\$1,072
G-8: WASHINGTON STATE CODE		P504-2004		\$1,072
G-10: POST OFFICE		P504-2004		\$797
G-12: CALIFORNIA CODE CONTROLS		P504-2004		\$409
<b>I-6: TEMPERATURE LIMITING - Max 100 °F</b>				
P 504-2004	SHIPPED LOOSE	006040		\$185
<b>M-1: SAFETY VALVES, MOTORIZED</b>				
P 504-754				\$1,541
P 1104-1504				\$1,670
P 2004				\$1,750
<b>M-10: SAFETY VALVES, SOLENOID</b>				
P 504-754				\$795
P 1104-1504				\$886
P 2004				\$1,280
<b>M-15: VENT VALVE</b>				
P 504-2004				\$795
<b>S-1: LOW GAS PRESSURE SWITCHES</b>				
P 504-2004				\$398
<b>S-2: HIGH GAS PRESSURE SWITCHES - MANUAL RESET</b>				
P 504-2004				\$398
<b>S-3: HIGH GAS PRESSURE SWITCHES - MANUAL RESET</b>				
P 504-2004				\$667
<b>Y-241: CONTROLLER - 4 STAGE - LOOSE</b>				
P 504-2004	FIELD INSTALLED	008397	21	\$2,188
<b>Y-281: CONTROLLER - 8 STAGE - LOOSE</b>				
P 504-2004	FIELD INSTALLED	008398	25	\$2,413
<b>Y-300: 3" BELL REMOTE</b>				
P 504-2004		008752	8	\$314
<b>Y-301: CONTROLLER - 8 STAGE - LOOSE</b>				
P 504-2004		008753	10	\$636

