

**POOL**  
**MODELS: 206A THRU 406A ATMOSPHERIC**

CATALOG NO. 9100.56  
Effective: 11-03-11  
Replaces: 09-02-11

## RAYPAK REPLACEMENT PARTS

**MODEL SIZE: 206A, 266A, 336A & 406A**

**MODEL TYPE:**

DATE OF MANUFACTURE: 10-22-04 THRU CURRENT

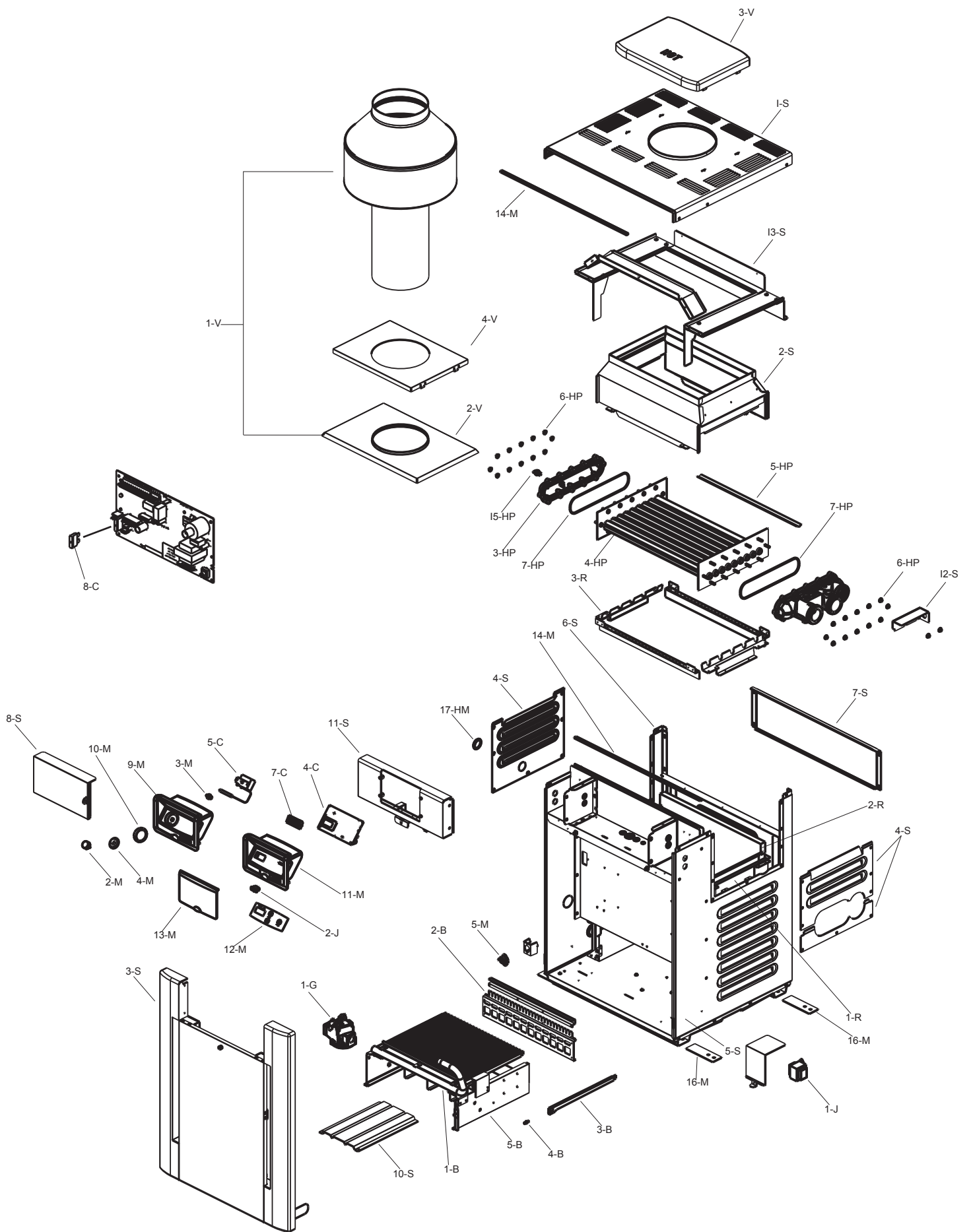
THE PARTS LISTED ARE FOR STANDARD EQUIPMENT FOR THIS MODEL TYPE. RAYPAK RESERVES THE RIGHT TO SUBSTITUTE, DELETE OR CHANGE ANY PART WITHOUT NOTIFICATION. THE ADDITION OF OPTIONS MAY ALSO CHANGE SOME OF THE PARTS. ORDER REPLACEMENT PARTS FROM ACTUAL HEATER COMPONENTS.

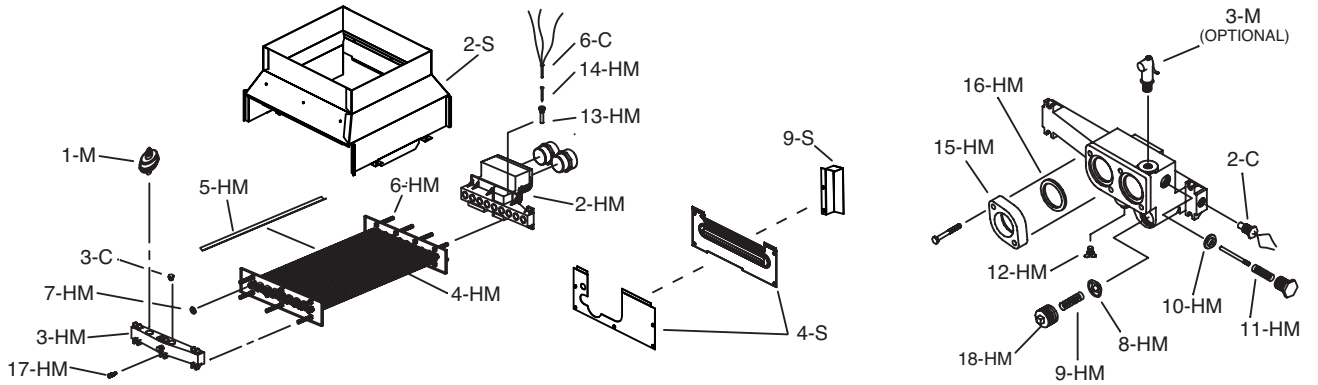


FOR DETAILED INSTRUCTIONS, SEE "HOW TO USE YOUR RAYPAK ILLUSTRATED PARTS LIST",  
CATALOG NO. 9001.10

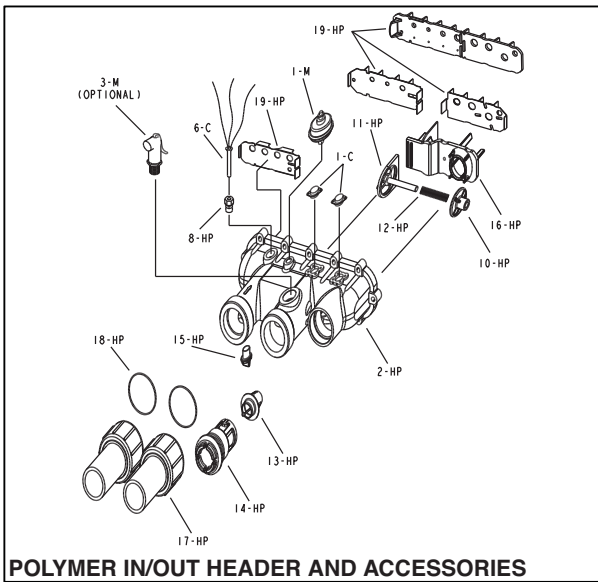


Raypak, Inc., 2151 Eastman Avenue, Oxnard, CA 93030  
(805) 278-5300 Fax (800) 872-9725  
Litho In U.S.A.

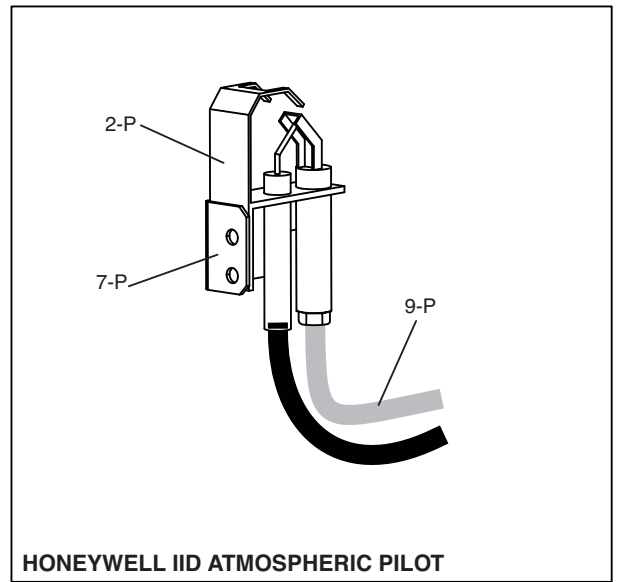




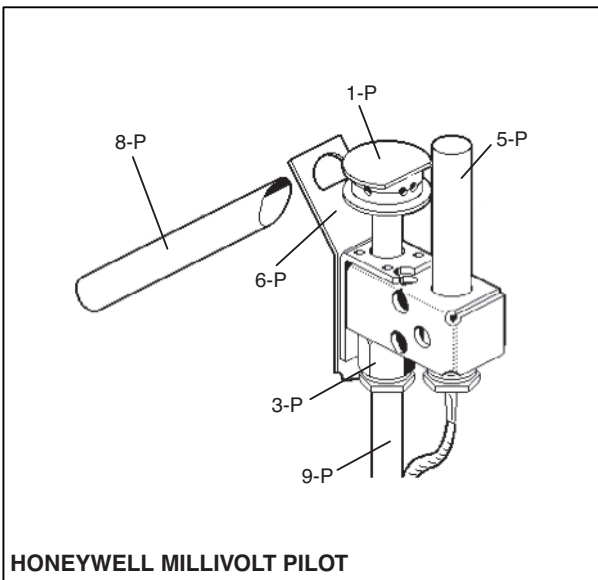
↑ FOR UNITS WITH ASME METAL HEADERS ↑



**POLYMER IN/OUT HEADER AND ACCESSORIES**



**HONEYWELL IID ATMOSPHERIC PILOT**



**HONEYWELL MILLIVOLT PILOT**

| CALL OUT  | DESCRIPTION                                 | 206A          | 266A          | 336A          | 406A          |
|-----------|---|---------------|---------------|---------------|---------------|
| <b>B</b>  | <b>BURNER TRAY</b>                          |               |               |               |               |
| 1-B       | Burner Tray w/Burners (sea level)*          | 010391F       | 010392F       | 010393F       | 010394F       |
|           | Burner Tray w/o Burners (sea level)*        | 010395F       | 010396F       | 010397F       | 010398F       |
|           | Burner Tray w/Gas Valve Nat Millivolt       | 010399F       | 010400F       | 010401F       | 010402F       |
|           | Burner Tray w/Gas Valve Pro Millivolt       | 010403F       | 010404F       | 010405F       | 010406F       |
|           | Burner Tray w/Gas Valve Nat IID             | 010407F       | 010408F       | 010409F       | 010410F       |
|           | Burner Tray w/Gas Valve Pro IID             | 010411F       | 010412F       | 010413F       | 010414F       |
| 2-B       | Burner Spacer/Hold Down Kit                 | 010415F       | 010416F       | 010417F       | 010418F       |
| 3-B       | Burner                                      | 301210/13     | 301210/18     | 301210/22     | 301210/27     |
| 4-B       | Burner Orifice Nat. #50 (Sea Level)*        | 350079F/13    | 350079F/18    | 350079F/22    | 350079F/27    |
|           | Burner Orifice Pro. #57 (Sea Level)*        | 350083F/13    | 350083F/18    | 350083F/22    | 350083F/27    |
| 5-B       | Burner Tray w/o Manifold w/o burners        | 010421F       | 010422F       | 010423F       | 010424F       |
| <b>C</b>  | <b>CONTROLS</b>                             |               |               |               |               |
| 1-C       | Thermostat Auto Reset 135 Deg Surface Mount | 006725F       | 006725F       | 006725F       | 006725F       |
| 2-C       | AGS 135° (Auto Gas Shut-Off) - Red Epoxy    | 600892B       | 600892B       | 600892B       | 600892B       |
| 3-C       | High Limit 140° - Black Epoxy               | 600893B       | 600893B       | 600893B       | 600893B       |
| 4-C       | P. C. Board/Control                         | 013464F       | 013464F       | 013464F       | 013464F       |
| 7-C       | LCD Display                                 |               |               |               |               |
|           | Units manufactured prior to 5/2011          | N/A           | N/A           | N/A           | N/A           |
|           | Units manufactured From 5/2011              | 013640F       | 013640F       | 013640F       | 013640F       |
| 8-C       | Fuse 5 AMP                                  | 013733F       | 013733F       | 013733F       | 013733F       |
| 5-C       | Thermostat Control MV Units Mechanical      | 003346F       | 003346F       | 003346F       | 003346F       |
| 6-C       | Temperature Sensor IID Units                | 009577F       | 009577F       | 009577F       | 009577F       |
| <b>G</b>  | <b>GAS VALVE</b>                            |               |               |               |               |
| 1-G       | Combination Valve - Nat. MV                 | 003898F       | 003898F       | 003898F       | 003898F       |
|           | Combination Valve - Pro. MV                 | 003899F       | 003899F       | 003899F       | 003899F       |
|           | Combination Valve - Nat. IID                | 003900F       | 003900F       | 003900F       | 003900F       |
|           | Combination Valve - Pro. IID                | 004306F       | 004306F       | 004306F       | 004306F       |
| <b>HP</b> | <b>HEAT EXCHANGER - POLYMER</b>             |               |               |               |               |
| 1-HP      | Heat Exchange Assy Copper                   | 010043F       | 010044F       | 010045F       | 010046F       |
|           | Heat Exchange Assy Cupro Nickel             | 010356F       | 010357F       | 010358F       | 010359F       |
| 2-HP      | Inlet/Outlet Header Complete                | 006827F       | 006827F       | 006827F       | 006827F       |
|           | Inlet/Outlet Header (Includes 6-HP)         | 006706F       | 006706F       | 006706F       | 006706F       |
| 3-HP      | Return Header (Includes 6-HP)               | 006707F       | 006707F       | 006707F       | 006707F       |
| 4-HP      | Tube Bundle Copper **                       | 010059F       | 010060F       | 010061F       | 010062F       |
|           | Tube Bundle Cupro Nickel **                 | 010364F       | 010365F       | 010366F       | 010367F       |
| 5-HP      | Baffle                                      | 010038F       | 005261F       | 010040F       | 010041F       |
| 6-HP      | Flange Nut Kit                              | 008259F       | 008259F       | 008259F       | 008259F       |
| 7-HP      | O Ring Gasket (2)                           | 006713F       | 006713F       | 006713F       | 006713F       |
| 8-HP      | Sensor Adapter Digital Electronic           | 006714F       | 006714F       | 006714F       | 006714F       |
|           | Sensor Well Millivolt                       | 006805F       | 006805F       | 006805F       | 006805F       |
| 9-HP      | Bypass Kit                                  | 006715F       | 006715F       | 006715F       | 006715F       |
| 10-HP     | Bypass Valve                                | 006716F       | 006716F       | 006716F       | 006716F       |
| 11-HP     | Bypass Dam / Shaft                          | 006717F       | 006717F       | 006717F       | 006717F       |
| 12-HP     | Bypass Spring (All Sizes Included)          | 006718F       | 006718F       | 006718F       | 006718F       |
| 13-HP     | Unitherm Governor                           | 006719F       | 006719F       | 006719F       | 006719F       |
| 14-HP     | Unitherm Governor Plug                      | 006720F       | 006720F       | 006720F       | 006720F       |
| 15-HP     | Drain Plug                                  | 006721F       | 006721F       | 006721F       | 006721F       |
| 16-HP     | Inlet/Outlet Header Dam                     | N/A Use 19-HP | N/A Use 19-HP | N/A Use 19-HP | N/A Use 19-HP |
| 17-HP     | 2" PVC Connector & Nut (2)                  | 006723F       | 006723F       | 006723F       | 006723F       |
| 18-HP     | O Ring (2)                                  | 006724F       | 006724F       | 006724F       | 006724F       |
| 19-HP     | Inlet/Outlet Header Baffle w/Header Dam     | 006826F       | 006826F       | 006826F       | 006826F       |

\*FOR INSTALLATION AT OVER 2,000 FEET ABOVE SEA LEVEL, DERATE 4% PER 1,000 FEET ABOVE SEA LEVEL.

\*\*WARNING: The Hydraulic conditions or water chemistry that caused the tube bundle to fail have very likely also damaged the bypass valve and Unitherm Governor. We recommend you replace the Unitherm Governor and inspect the bypass assembly. Failure to do so could cause premature failure of this replacement part.

| CALL OUT  | DESCRIPTION   | 206A    | 266A    | 336A    | 406A    |
|-----------|---|---------|---------|---------|---------|
| <b>HM</b> | <b>HEAT EXCHANGER - METAL</b>                                 |         |         |         |         |
| 1-HM      | Heat Exchange Assy.Copper ASME CI                             | 010051F | 006727F | 010053F | 010054F |
|           | Heat Exchange Assy.Cupro Nickel ASME CI                       | 010360F | 010361F | 010362F | 010363F |
| 2-HM      | Inlet/Outlet Header ASME CI Complete                          | 006730F | 006730F | 006730F | 006730F |
|           | Inlet/Outlet Header ASME CI                                   | 012319F | 012319F | 012319F | 012319F |
| 15-HM     | Inlet & Outlet Flange   | 003766F | 003766F | 003766F | 003766F |
| 16-HM     | Flange Gasket 1 1/2" Connections                              | 062236B | 062236B | 062236B | 062236B |
|           | Flange Gasket 2" Connections                                  | 800080B | 800080B | 800080B | 800080B |
| 3-HM      | Return Header ASME CI   | 006731F | 006731F | 006731F | 006731F |
| 4-HM      | Tube Bundle Copper ASME *                                     | 010055F | 006733F | 010057F | 010058F |
|           | Tube Bundle Cupro Nickel ASME *                               | 010368F | 010369F | 010370F | 010371F |
| 5-HM      | Baffle  | 010038F | 005261F | 010040F | 010041F |
| 6-HM      | Stud Bolt Kit   | 007870F | 007870F | 007870F | 007870F |
| 7-HM      | Header Gasket (9)   | 800014B | 800014B | 800014B | 800014B |
| 8-HM      | Unitherm Governor   | 062234B | 062234B | 062234B | 062234B |
| 9-HM      | U.G. Retainer Spring  | 013792F | 013792F | 013792F | 013792F |
| 18-HM     | U.G. Plug   | 013738F | 013738F | 013738F | 013738F |
| 10-HM     | Bypass Valve  | 062235B | 062235B | 062235B | 062235B |
| 11-HM     | Bypass Spring   | 850252  | 013794F | 013794F | 013794F |
| 12-HM     | Drain Valve   | 013793F | 013793F | 013793F | 013793F |
| 13-HM     | Sensor Well   | 003765F | 003765F | 003765F | 003765F |
| 14-HM     | Well Retaining Clip   | 300203  | 300203  | 300203  | 300203  |
| 17-HM     | Rear Drain Plug & Cover                                       | 005264F | 005264F | 005264F | 005264F |
| <b>J</b>  | <b>CONTROL BOX</b>  |         |         |         |         |
| 1-J       | Transformer 120/240/24V                                       | 006736F | 006736F | 006736F | 006736F |
| 2-J       | Rocker Switch   | 009493F | 009493F | 009493F | 009493F |
| <b>M</b>  | <b>MISCELLANEOUS COMPONENTS</b>                               |         |         |         |         |
| 1-M       | Pressure Switch 1.75 PSI                                      | 006737F | 006737F | 006737F | 006737F |
|           | Pressure Switch 11 PSI Special-See Water Pressure Switch Adj. | 009133F | 009133F | 009133F | 009133F |
| 2-M       | Thermostat Knob   | 009499F | 009499F | 009499F | 009499F |
| 3-M       | Thermostat Shaft MV   | 800307  | 800307  | 800307  | 800307  |
| 4-M       | Knobstop  | 006886F | 006886F | 006886F | 006886F |
| 5-M       | Thermal Fuse  | 005899F | 005899F | 005899F | 005899F |
| 6-M       | PRV 125 PSI (Optional)  | 008091F | 007224F | 007224F | 007224F |
| 7-M       | Delimiting Kit  | 052871F | 052871F | 052871F | 052871F |
| 8-M       | Wire/Harness Millivolt  | 010386F | 010386F | 010386F | 010386F |
|           | Wire/Harness IID  | 009490F | 009490F | 009490F | 009490F |
| 9-M       | Control Bezel MV (Includes Dial Decal)                        | 009489F | 009489F | 009489F | 009489F |
| 10-M      | Dial Decal MV   | 009858F | 009858F | 009858F | 009858F |
| 11-M      | Control Bezel (Includes Switch Decal)                         |         |         |         |         |
|           | Units manufactured prior to 5/2011                            | 009491F | 009491F | 009491F | 009491F |
|           | Units manufactured From 5/2011                                | 013491F | 013491F | 013491F | 013491F |
| 12-M      | Switch/Decal-Membrane   |         |         |         |         |
|           | Units manufactured prior to 5/2011                            | 009492F | 009492F | 009492F | 009492F |
|           | Units manufactured From 5/2011                                | 013492F | 013492F | 013492F | 013492F |
| 13-M      | Control Bezel Cover   | 009487F | 009487F | 009487F | 009487F |
| 14-M      | Gasket Insulation (Swaybrace & Jacket Top)                    | 010350F | 010350F | 010350F | 010350F |
| 15-M      | Touch-up Paint  |         |         |         |         |
|           | Green   | 750125  | 750125  | 750125  | 750125  |
|           | Dark Gray   | 750126  | 750126  | 750126  | 750126  |
|           | Cool Dark Gray  | 750256  | 750256  | 750256  | 750256  |
|           | Warm Dark Gray  | 750258  | 750258  | 750258  | 750258  |
| 16-M      | Tie Down Bracket (Optional)                                   | 011636  | 011636  | 011636  | 011636  |
| 17-M      | Texas Code Add/On (ASME Only)                                 | 012011  | 012011  | 012011  | 012011  |
| <b>P</b>  | <b>PILOT</b>  |         |         |         |         |
| 1-P       | Pilot Nat. MV   | 600525B | 600525B | 600525B | 600525B |
|           | Pilot Pro. MV   | 600575B | 600575B | 600575B | 600575B |
| 2-P       | Pilot Nat & Pro IID   | 002003F | 002003F | 002003F | 002003F |
| 3-P       | Pilot Orifice Nat. MV   | 003901F | 003901F | 003901F | 003901F |
|           | Pilot Orifice Pro. MV   | 003902F | 003902F | 003902F | 003902F |
| 4-P       | Pilot Orifice Nat. IID .020                                   | 003903F | 003903F | 003903F | 003903F |
|           | Pilot Orifice Pro. IID .012                                   | 004308F | 004308F | 004308F | 004308F |
| 5-P       | Pilot Generator MV  | 600019B | 600019B | 600019B | 600019B |
| 6-P       | Pilot MTG Bracket MV  | 010352F | 010352F | 010352F | 010352F |
| 7-P       | Pilot Mounting Bracket IID                                    | 306692  | 306692  | 306692  | 306692  |
| 8-P       | Lighter Tube (MV Units Only)                                  | 062996  | 062996  | 062996  | 062996  |
| 9-P       | Pilot Tube  | 004078F | 004078F | 004078F | 004078F |
| 10-P      | Hi Tension Wire IID with Pilot Electrode                      | 007864F | 007864F | 007864F | 007864F |
| 11-P      | Pilot Shield  | 010351F | 010351F | 010351F | 010351F |
| <b>R</b>  | <b>REFRACTORY</b>   |         |         |         |         |
| 1-R       | Refractory Common Lt & Rt                                     | 010088F | 010088F | 010088F | 010088F |
| 2-R       | Refractory Uncommon (Front & Rear)                            | 010089F | 010090F | 010091F | 010092F |
| 3-R       | Refractory Retainer Kit                                       | 010387F | 010388F | 010389F | 010390F |

\*WARNING: The Hydraulic conditions or water chemistry that caused the tube bundle to fail have very likely also damaged the bypass valve and Unitherm Governor. We recommend you replace the Unitherm Governor and inspect the bypass assembly. Failure to do so could cause premature failure of this replacement part.

| CALL OUT                            | DESCRIPTION  | 206A        | 266A        | 336A        | 406A        |
|-------------------------------------|--|-------------|-------------|-------------|-------------|
| <b>S</b>                            | <b>SHEETMETAL</b>                                  |             |             |             |             |
| 1-S                                 | Jacket Top (Louvered)                              | 010047F     | 010048F     | 010049F     | 010050F     |
| 2-S                                 | Flue Collector (Units with Polymer Header)         | 010071F     | 010072F     | 010073F     | 010074F     |
|                                     | Flue Collector (Units with Metal Header)           | 010075F     | 010076F     | 010077F     | 010078F     |
| 3-S                                 | Door Assy  |             |             |             |             |
|                                     | Raypak   |             |             |             |             |
|                                     | Green  | 010378F     | 010379F     | 010380F     | 010381F     |
|                                     | Cool Dark & Warm Dark Gray                         | 013859F     | 013860F     | 013861F     | 013862F     |
|                                     | Rheem  |             |             |             |             |
|                                     | Green  | 010382F     | 010383F     | 010384F     | 010385F     |
|                                     | Cool Dark & Warm Dark Gray                         | 013863F     | 013864F     | 013865F     | 013866F     |
|                                     | Ruud   |             |             |             |             |
|                                     | Green  | 010382F     | 010383F     | 010384F     | 010385F     |
|                                     | Warm Dark Gray                                     | 013867F     | 013868F     | 013869F     | 013870F     |
| 4-S                                 | Access Panel Set (3 Pcs Units with Polymer Header) | 010311F     | 010311F     | 010311F     | 010311F     |
|                                     | Access Panel Set (3 Pcs. Units with Metal Header)  | 010312F     | 010312F     | 010312F     | 010312F     |
| 5-S                                 | Jacket Side Panel Right                            | 010376F     | 010376F     | 010376F     | 010376F     |
| 6-S                                 | Jacket Side Panel Left                             | 010377F     | 010377F     | 010377F     | 010377F     |
| 7-S                                 | Jacket Rear Panel (2 Pcs.)                         | 010372F     | 010373F     | 010374F     | 010375F     |
| 8-S                                 | Poolstat Cover/Lock                                | 009505      | 009505      | 009505      | 009505      |
| 9-S                                 | High Limit Cover                                   | 010319F     | 010319F     | 010319F     | 010319F     |
| 10-S                                | Base Heat Shield                                   | 010320F     | 010320F     | 010320F     | 010320F     |
| 11-S                                | Up Front Control Panel                             |             |             |             |             |
|                                     | Green  | 010321F     | 010322F     | 010323F     | 010324F     |
|                                     | Cool Dark Gray                                     | 013887F     | 013888F     | 013889F     | 013890F     |
|                                     | Warm Dark Gray                                     | 013891F     | 013892F     | 013893F     | 013894F     |
| 12-S                                | High Limit Shield                                  | 010342F     | 010342F     | 010342F     | 010342F     |
| 13-S                                | Weather Shield                                     | 010325F     | 010326F     | 010327F     | 010328F     |
| <b>V</b>                            | <b>VENTING</b>                                     |             |             |             |             |
| 1-V                                 | Indoor Stack Kit (Includes inner adapter panel)    | 009838      | 009839      | 009840      | 009841      |
|                                     | Outdoor Stack Kit (Includes inner adapter panel)   | 009834      | 009835      | 009836      | 009837      |
| 2-V                                 | Stack Adapter                                      | 010330F     | 010331F     | 010332F     | 010333F     |
| 4-V                                 | Outer Stack Adapter                                | 011461F     | 011462F     | 011463F     | 011464F     |
| 3-V                                 | "Pagoda" Top                                       |             |             |             |             |
|                                     | Green  | 010334      | 010335      | 010336      | 010337      |
|                                     | Cool Dark Gray                                     | 013883F     | 013884F     | 013885F     | 013886F     |
| <b>Atmospheric CONVERSION KITS*</b> |  | <b>206A</b> | <b>266A</b> | <b>336A</b> | <b>406A</b> |
| Gas Conversions                     |  |             |             |             |             |
|                                     | Nat. to Pro. MV Pilot                              | 004690B     | 004690B     | 004692B     | 004692B     |
|                                     | Pro. to Nat. MV Pilot                              | 010419F     | 010419F     | 010420F     | 010420F     |
|                                     | Nat. to Pro. IID Pilot                             | **          | **          | **          | **          |
|                                     | Pro. to Nat. IID Pilot                             | **          | **          | **          | **          |

\* Gas conversions are to be done only by a qualified agency.

\*\* Conversion must be made with complete burner tray and gas valve (see item 1-B).





Registered Quality Management System

[www.raypak.com](http://www.raypak.com)