

Job: \_\_\_\_\_  
 Engineer: \_\_\_\_\_  
 Contractor: \_\_\_\_\_  
 Prepared By: \_\_\_\_\_ Date: \_\_\_\_\_  
 Model: \_\_\_\_\_ Indoor/Outdoor

# ASME Digital/Millivolt Atmospheric

Gas Pool Heaters

Models CR-206A - CR406A

- ▶ 82% Efficiency
- ▶ ASME Code Glass-Lined Cast Iron Headers
- ▶ ASME Code Copper-Fin Tube
- ▶ 125 lb. Pressure Relief Valve
- ▶ Small Footprint
- ▶ Unitherm Governor Anti-Condensation Control
- ▶ Internal Bypass for High Flow Rates (up to 125 gpm)
- ▶ Indoor/Outdoor



Digital model with outdoor top shown

### Heat Exchanger

- ASME Inspected and Stamped 160 PSIG
- National Board Approved
- Glass-lined Cast Iron Headers
- Finned Tubing
  - Copper – Standard
  - Cupro Nickel – Optional, Digital units only
- ASME Steel Tube Sheet
- Silicone O-Rings
- 125 PSIG Pressure Relief Valve
- Water Connections
  - Right Hand – Standard
  - Left Hand – Field Change
- Flow Configuration – Two-pass

### Controls

- Millivolt Option
  - Standing Pilot Ignition
  - Thermopile Generator
  - Single Mechanical Temperature Control
  - Flame Rollout Switch
  - High Limit Control
  - On/Off Switch
  - Water Pressure Switch
- Digital Option
  - 115/230V, 60Hz, 1 Ph Power Supply
  - 115/230/24V Transformer
  - 100% Pilot Shut-off; Lockout – Propane units only
  - Electronic, Intermittent Ignition Pilot (IID)
  - High Limit Control
  - On/Off Switch
  - Flame Rollout Switch
  - Water Pressure Switch
  - Dual Electronic Temp Sensor
  - Digital Display With Diagnostics

### Gas Control Train

- Fuel
  - Natural Gas
  - Propane
- Combination Control Valve
- On/Off Firing
- ANSI Z21.56 Design Certified

### Construction

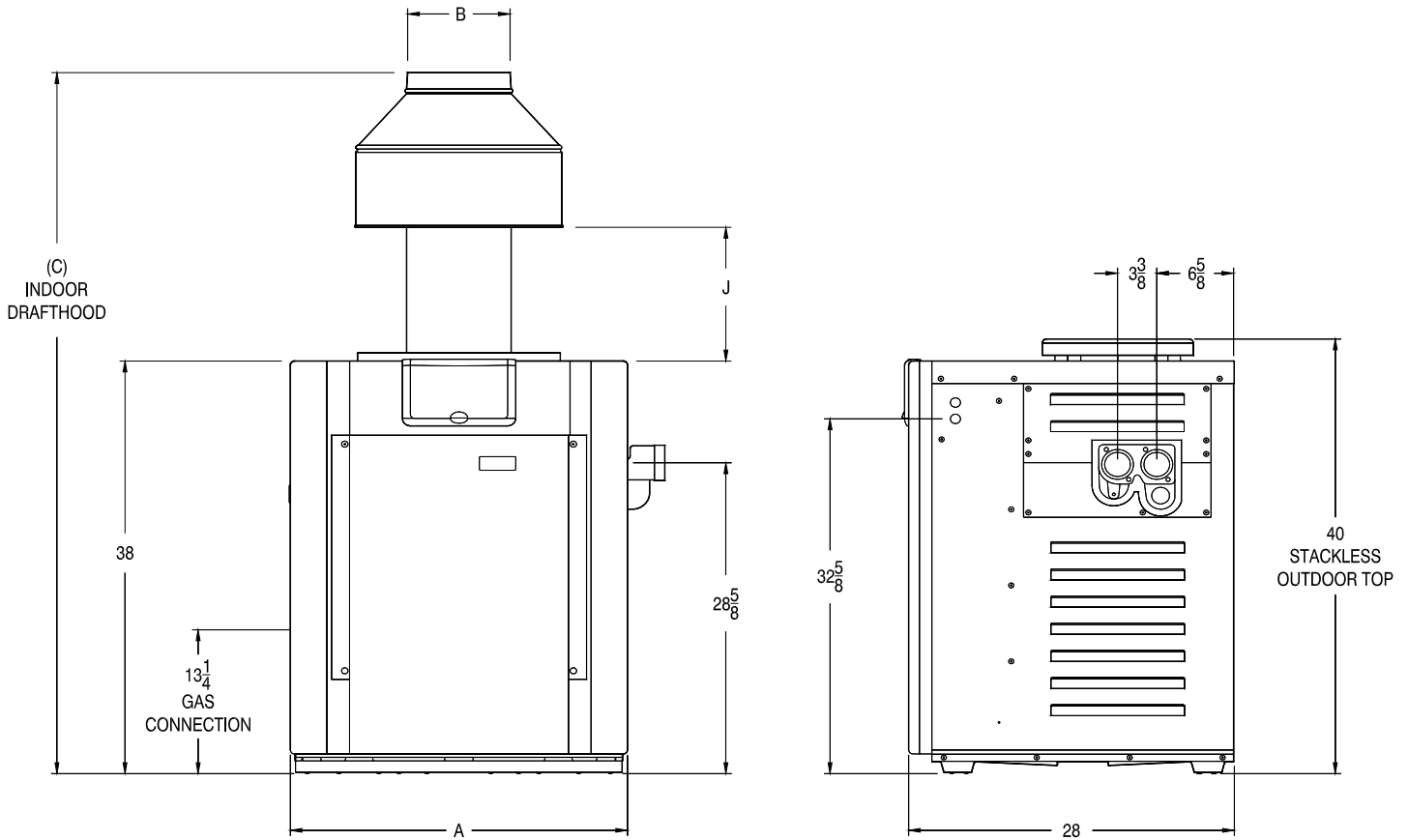
- Front Controls
- Stainless Steel Burners
- Polytuf Powder Coat Finish
- Indoor/Outdoor
- Vent Selection
  - Outdoor Stackless Top – Standard
  - Indoor Draft Diverter, Loose – Optional
  - D-2 Power Vent, Loose – Optional
- Can be installed on combustible surface



**Raypak**  
 A Rheem Company

# ASME Digital/Millivolt Atmospheric Gas Pool Heaters

Model \_\_\_\_\_



Heater Model	BTUH Input (000)	Dimensions (in.)						Shipping Weights (lbs)	
		Cabinet Width (A)	Flue Dia. (B)	Indoor Drafthood (C)	(J)	Gas Conn.	Water Conn.	Heater with Stackless Top	Indoor Drafthood
CR-206A	199.5	20	6	61-5/8	11-7/8	3/4	2	206	12
CR-266A	266.0	23	7	62	11	3/4	2	229	15
CR-336A	332.5	26	8	63	10-5/8	3/4	2	249	17
CR-406A	399.0	29	9	64-1/2	12-5/16	3/4	2	268	20

**Notes:**

1. Model number suffix indicates pilot type (E = digital, M = millivolt) and fuel type (P = propane, N = natural gas). Example: Model number CR-406A-EN indicates a unit with digital (IID) ignition using natural gas.
2. Ratings are for natural gas and elevations up to 2,000 feet above sea level. Reduce input 4% for each 1,000 feet above sea level when installed at over 2,000 feet elevation.
3. Manufactured under Patent No. 3,623,458.